



# Illustrated Parts List

## DGK70B

**WARNING!**

**CALIFORNIA - Proposition 65 Warning**

Diesel engine exhaust and some of its constituents are known to the State of California to cause cancer, birth defects, and other reproductive harm.

**shindaiwa**  
**Construction Products**

## Table of Contents

## Page

Table of Contents.....	1
Labels Page 1.....	2
Labels Page 2.....	3
Label Locations.....	4
Engine and Other Components Internal to the Enclosure.....	5
Drawing A.....	6
Enclosure Page 1.....	7
Enclosure Page 2.....	8
Drawing B.....	9
Alternator.....	10
Drawing C.....	11
Engine and Alternator Controls, Receptacle Panel and Voltage Selector Switch .....	12
Drawing D.....	13
Components Internal to the Engine and Generator Control Panel .....	14
Drawing E.....	15

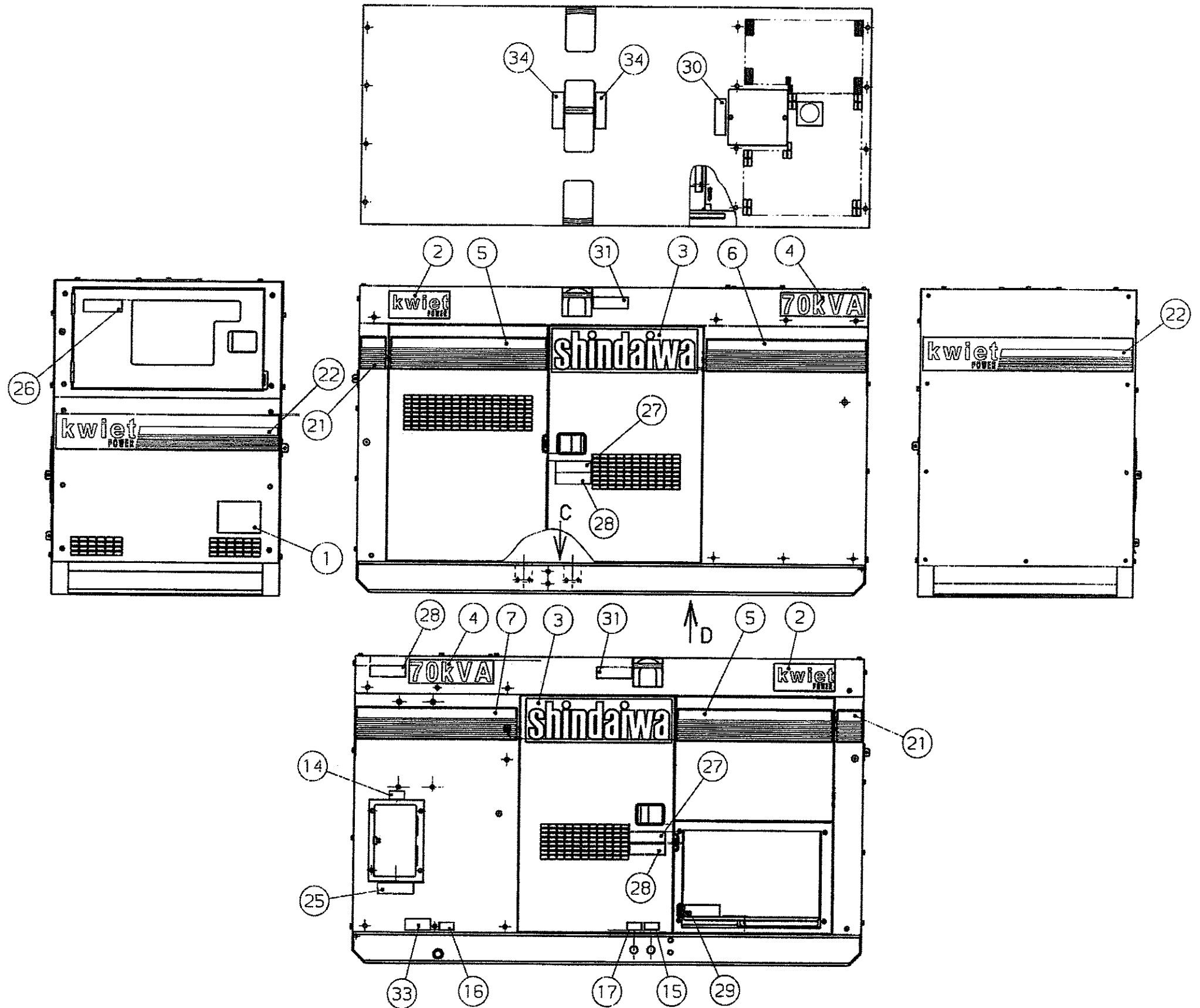
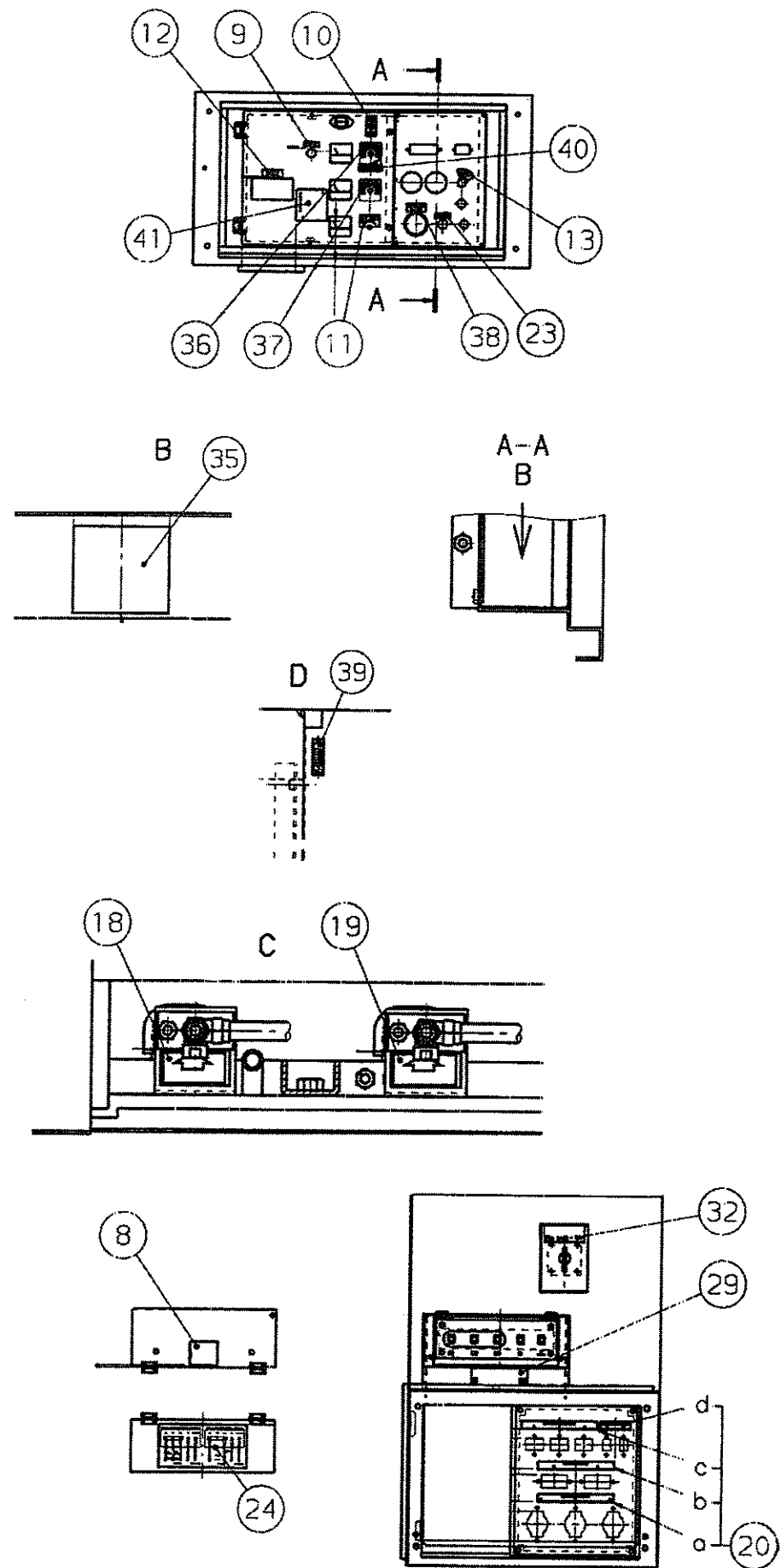
**The part numbers shown in this illustrated parts list were current as of the date of printing of this manual. Part numbers are subject to change without notice.**

## Labels

Caution, Danger, Warning and Operation Information Labels: Make sure all information labels are undamaged and readable. Immediately replace damaged or missing information labels. New labels are available from your local authorized Shindaiwa distributor or dealer.

Ref. No.	Type	Text	Part Number
1	Design	Name Plate	71051-91310
2	Design	kWiet Power	19406-00089
3	Design	Shindaiwa	19420-00096
4	Design	70kVA	19404-00050
5	Design	Generator	19430-00001
6	Design	DGK70B	71051-91320
7	Design	DGK70B	71051-91360
8	Design	Emissions	71051-91330
9	Design	Pilot Light	19401-00211
10	Design	Panel Light Switch	19401-00212
11	Design	Voltage Regulator	19401-00214
12	Design	Main Circuit Breaker	19401-00235
13	Design	Preheat-Stop-Run-Start	19401-00217
14	Design	Diesel Fuel Only	19401-00251
15	Design	Oil Drain	19401-00154
16	Design	Fuel Drain	19401-00155
17	Design	Cooling Water Drain	19401-00242
18	Design	Fuel Inlet	19401-00249
19	Design	Fuel Return	19401-00250
20	Design	Single Phase: a) 240/120V Receptacle A B C b) 120V Receptacle D E c) 240/120V Circuit Breaker A B C d) 120V Circuit Breaker D E	19401-00317
21	Design	Striping	19407-00064
22	Design	kWiet Power, Generator	19406-00090
23	Design	Emergency Stop	19401-00210
24	Design	Output Connections	19401-00308
25	General	Stop the engine and maintain adequate distance from flames or spark producing devices while refueling. Allow engine to cool before refueling.	19402-00211
26	Danger-Poisoning	Do not operate this equipment without adequate ventilation.	19402-00212
27	Danger-Injury	To avoid accidental contact with moving parts, close and lock all doors while operating this equipment.	19402-00213
28	Caution-Burns	Do not come in contact with this area while the engine is operating or immediately after engine operation.	19402-00214
29	Danger-Electric Shock	Do not come in contact with the output terminals while the equipment is operating. Turn the main circuit breaker to off and stop the engine before servicing.	19402-00215
30	Caution-Burns	Do not open the radiator cap while operating or immediately after stopping this equipment.	19402-00216
31	Danger-Injury	Do not lift this equipment with this tie down.	19402-00207

32	Caution-Potential Property Damage	Do not change voltage selector switch while generator is running.	19402-00209
33	Caution-Potential Property Damage	Never remove fuel drain plug without proper containment and disposal method for fuel.	19402-00208
34	Danger-Injury	Lifting hook designed to lift only the generator. Do not lift any additional added weight such as fuel tanks and/or trailers with this lifting hook.	19402-00210
35	Design	Throttle Handle	71051-91340
36	Design	Voltmeter Selector Switch Positions	19401-00258
37	Design	Ammeter Selector Switch Positions	19401-00259
38	Design	Internal Fuel Tank Only	19401-00268
39	Design	Serial Number Plate	71051-91350
40	Design	Single Phase Switch Position	19401-00323
41	Design	Auto Start Pre-Drill Cover	19407-00055

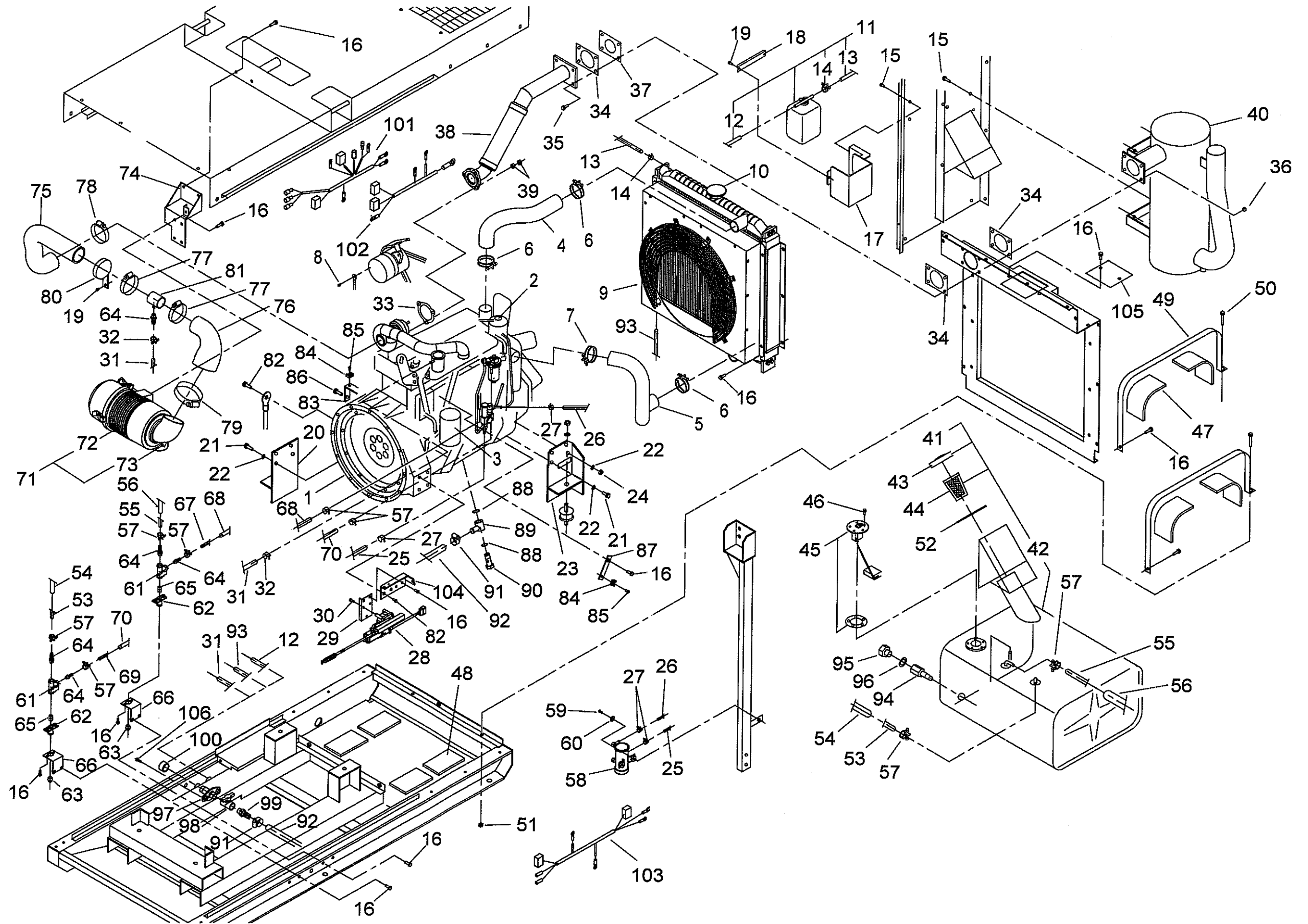


# DGK70B Illustrated Parts List - Drawing A

## Engine and Other Components Internal to the Enclosure

Ref No.	Part No.	Description	Qty
1	71051-11310	engine	1
2	21007-11030	strainer	1
3	71051-11410	strainer	1
4	71051-11330	radiator hose	1
5	71051-11340	radiator hose	1
6	21400-11070	hose clamp	3
7	21400-11080	hose clamp	1
8	01213-05120	screw-spw	1
9	71051-11360	radiator	1
10	21441-11400	radiator cap	1
11	21401-11360	subtank assy	1
12	21401-11390	hose	1
13	21401-11400	hose	1
14	21401-11410	hose clamp	2
15	01013-08205	bolt-spw	6
16	01013-08200	bolt-spw	27
17	71051-11370	tank stay	1
18	21401-11380	stay	1
19	11041-06168	bolt,ft-lpw	3
20	21001-11510	engine stay,left	1
21	01002-10224	bolt	7
22	01600-10251	spring washer	8
23	21001-11520	engine stay,right	1
24	01510-10081	nut	1
25	21006-15160	hose	1
26	20786-15400	hose	1
27	21000-11360	hose clamp	4
28	21441-11490	stop motor	1
29	71051-11390	bracket	1
30	11217-06160	screw	3
31	71051-11400	hose	1
32	21440-15050	hose clamp	2
33	21002-12110	gasket	1
34	21001-12311	gasket	3
35	01013-08405	bolt-spw	4
36	11526-08115	flange nut	4
37	21008-12020	plate	1
38	71051-12310	flexible tube	1
39	01500-08065	nut	6
40	21007-13011	muffler	1
41	71050-14011	fuel tank assy	1
42	71050-14021	fuel tank	1
43	21007-14030	tank cap	1
44	21007-14040	strainer	1
45	71040-14030	fuel gauge	1
46	01213-04080	screw-spw	5
47	21007-14140	pad	4
48	21007-14150	pad	4
49	21008-14310	tank band	2
50	01000-08551	bolt	2
51	11526-08112	flange nut	2
52	21001-14410	tank bush	1
53	21007-14190	hose	1

Ref No.	Part No.	Description	Qty
54	20786-15350	tube	1
55	71051-14330	hose	1
56	20740-15030	tube	1
57	21007-14210	hose clamp	8
58	71031-15310	fuel pump	1
59	01011-06250	bolt-sw	2
60	21007-15060	washer	2
61	21006-15020	cock	2
62	71030-15010	socket	2
63	71030-15020	drain plug	2
64	21007-15020	nipple	5
65	21006-15070	nipple	2
66	71040-15010	bracket	2
67	71051-15310	hose	1
68	71051-15320	tube	1
69	21007-15050	hose	1
70	71051-15330	tube	1
71	71051-16310	air cleaner assy	1
72	71051-16320	air cleaner	1
73	71030-16020	indicator	1
74	71051-16330	cleaner stay	1
75	71051-16340	air hose	1
76	71051-16350	air hose	1
77	21001-16250	hose clamp	2
78	71051-16380	hose clamp	1
79	71051-16360	hose clamp	1
80	21002-16270	hose clamp	1
81	71051-16370	joint pipe	1
82	01013-12300	bolt-spw	3
83	21001-11710	support	1
84	21990-24220	tie mount	5
85	01210-05128	screw	5
86	01013-10200	bolt-spw	2
87	21000-52221	stay	2
88	21000-22110	o ring	2
89	21000-22120	socket	1
90	21000-22130	nipple	1
91	21210-22020	hose clamp	2
92	21401-22310	hose	1
93	21441-22310	hose	1
94	21001-22310	joint pipe	1
95	21001-22320	drain plug	1
96	21001-22330	o ring	1
97	71051-22320	socket	1
98	71051-22330	cock	1
99	71051-22340	nipple	1
100	71051-22350	cap	1
101	71051-78350	wiring harness	1
102	71051-78360	wiring harness	1
103	71051-78340	wiring harness assy	1
104	71051-88310	stay	1
105	21210-24150	cap cover	1
106	01013-10250	bolt-spw	2



# DGK70B Illustrated Parts List - Drawing B (Page 1)

## Enclosure

Ref No.	Part No.	Description	Qty
1	71051-21310	bed	1
2	21007-21050	beam	1
3	01013-08200	bolt-spw	42
4	17005-33002	av-rubber	4
5	71051-21350	under plate	1
6	71051-21330	stand bar,left	1
7	01013-12300	bolt-spw	4
8	21007-21080	door stopper	2
9	11041-06168	bolt,ft-lpw	11
10	71051-21340	stand bar,right	1
11	21008-21040	stay,front	2
12	71051-21360	stay,rear	2
13	71051-23360	front cover	1
14	01013-08205	bolt-spw	53
15	21000-23250	stand rubber	5
16	01270-04203	screw,tapping	4
17	71040-23030	door stopper	1
18	71040-23041	front plate	1
19	71040-23080	duct	1
20	11526-06112	flange nut	41
21	71040-23090	duct	1
22	21990-24220	tie mount	2
23	01210-05128	screw	2
24	71051-23340	front door	1
25	20720-23310	panel	1
26	11526-05212	flange nut	7
27	21000-27220	hinge	6
28	21000-23270	screw	60
29	71030-23190	door handle	3
30	17500-10002	coil spring	3
31	20925-26301	pin comp	3
32	12400-10050	snap pin	3
33	20925-26411	latch	3
34	71050-23010	front cover,left	1
35	21000-23260	hinge	4
36	71050-23030	front cover,right	1
37	21000-24210	hinge	6
38	71051-23420	plate	1
39	71051-24310	rear cover,left	1
40	71040-24070	stand rubber	1
41	01270-04303	screw,tapping	1
42	71051-24460	fuel box	1
43	01013-06165	bolt-spw	4
44	71030-24160	fuel cover	1
45	21850-27220	tongue	1
46	01211-03100	screw-sw	2
47	11526-03112	flange nut	2
48	01213-04120	screw-spw	6

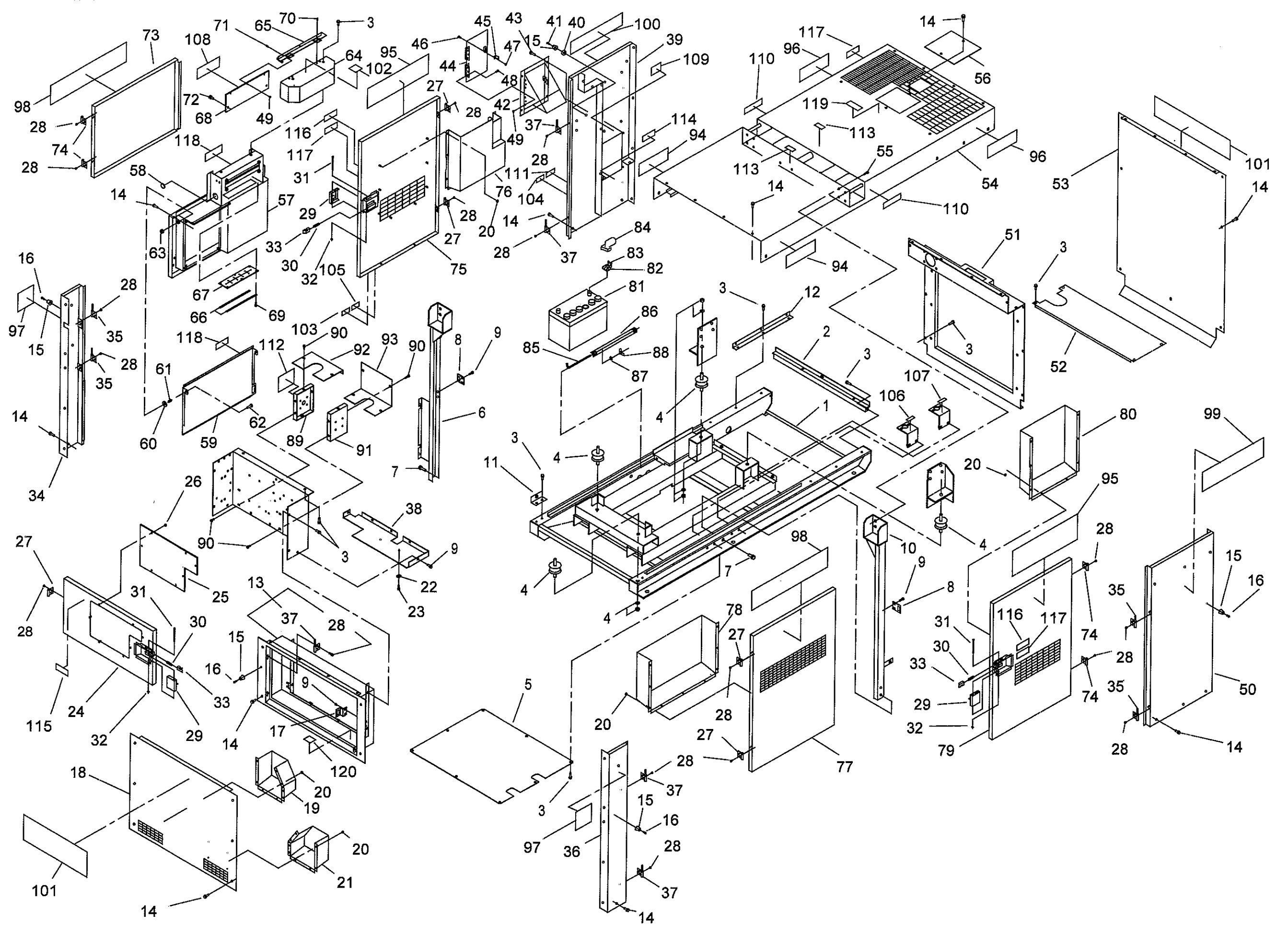
Ref No.	Part No.	Description	Qty
49	11526-04112	flange nut	9
50	71051-24330	rear cover,right	1
51	71051-24360	radiator plate	1
52	71051-24390	baffle	1
53	71051-24430	rear plate	1
54	71051-25310	top cover	1
55	01013-10250	bolt-spw	8
56	71051-25330	check plate	1
57	71051-26310	side cover	1
58	15250-90611	grommet	1
59	71051-26350	terminal cover	1
60	20781-26340	bush rubber	2
61	17901-10060	collar	2
62	01013-10300	bolt-spw	2
63	01500-10081	nut	2
64	71060-26350	terminal cover	1
65	71060-26360	stay	1
66	71051-26340	plate	2
67	71051-26330	rubber	1
68	71060-26400	panel	1
69	11270-05123	screw,tapping	6
70	01213-04080	screw-spw	4
71	01213-04160	screw-spw	3
72	71030-26090	knob	2
73	71051-27310	left door,front	1
74	21000-23530	hinge	4
75	71051-27330	left door,rear	1
76	71051-27360	duct	1
77	71051-27380	right door,front	1
78	71040-27160	duct	1
79	71051-27400	right door,rear	1
80	71040-27090	duct	1
81	05901-95360	battery,body	1
82	05908-01003	terminal	1
83	05908-03000	nut	1
84	05908-02000	terminal cap	1
85	21007-28030	bolt,battery	2
86	21007-28040	battery stay	1
87	01612-00800	washer	2
88	01520-10822	wing nut	2
89	71051-82310	switch box,front	1
90	01013-06160	bolt-spw	10
91	71051-82320	switch box,rear	1
92	71051-82330	switch box,upper	1
93	71051-82350	switch box,lower	1
94	19406-00089	label,feature	2
95	19420-00096	label,trade	2
96	19404-00050	label,output	2

# DGK70B Illustrated Parts List - Drawing B (Page 2)

## Enclosure

---

Ref No.	Part No.	Description	Qty
97	19407-00064	label,design	2
98	19430-00001	label,trade	2
99	71051-91320	label,trade	1
100	71051-91360	label,trade	1
101	19406-00090	label,feature	2
102	71051-91330	label,feature	1
103	19401-00154	label,inst	1
104	19401-00155	label,inst	1
105	19401-00242	label,inst	1
106	19401-00249	label,inst	1
107	19401-00250	label,inst	1
108	19401-00308	label,inst	1
109	19401-00251	label,inst	1
110	19402-00207	label,caution	2
111	19402-00208	label,caution	1
112	19402-00209	label,caution	1
113	19402-00210	label,caution	2
114	19402-00211	label,caution	1
115	19402-00212	label,caution	1
116	19402-00213	label,caution	2
117	19402-00214	label,caution	3
118	19402-00215	label,caution	2

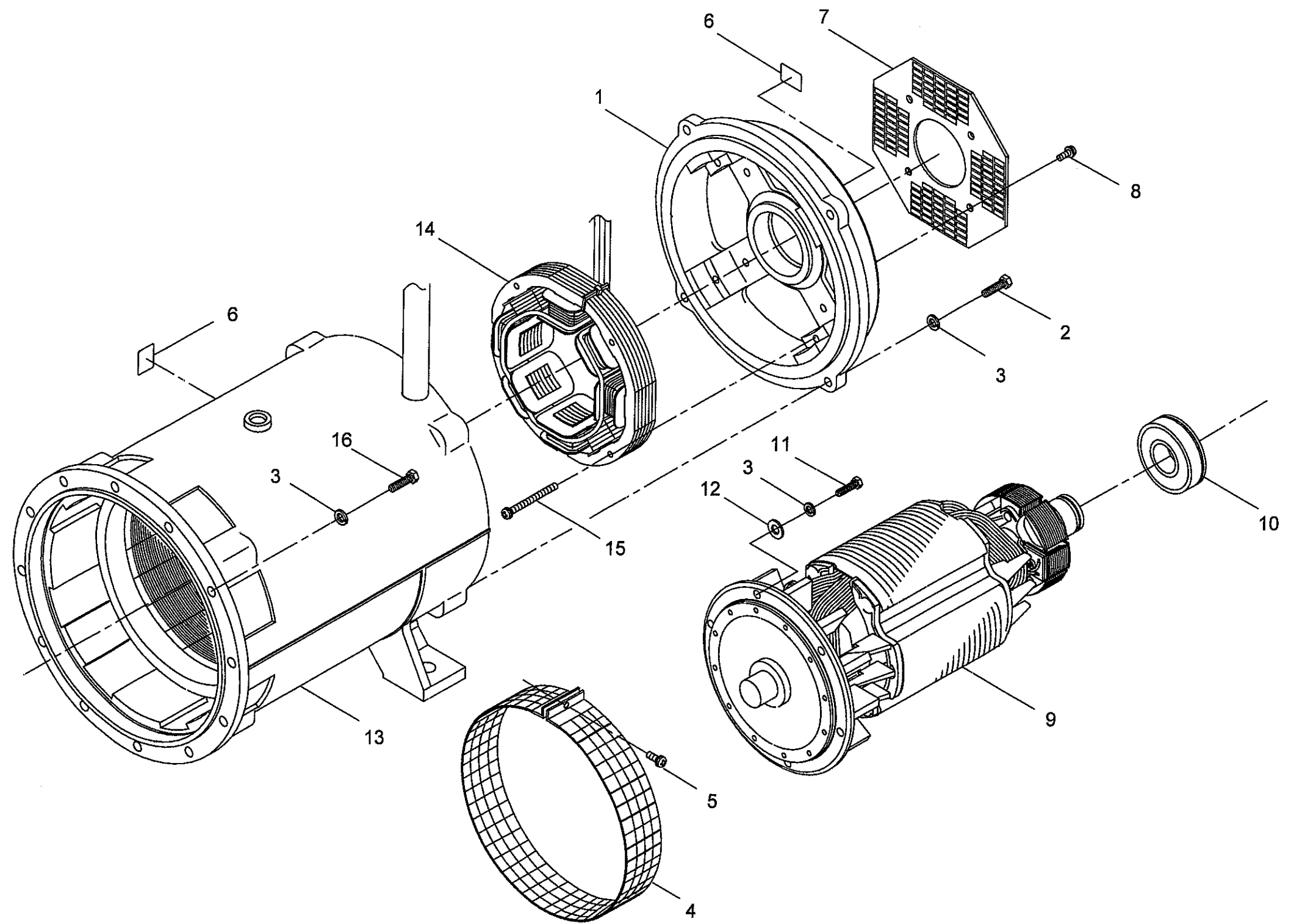


# DGK70B Illustrated Parts List - Drawing C

## Alternator

---

Ref No.	Part No.	Description	Qty
1	21007-31010	rear bracket	1
2	01000-10354	bolt	4
3	01600-10251	spring washer	25
4	21007-31020	fan cover	1
5	01213-04250	screw-spw	1
6	21006-31030	label,thermometer	2
7	21007-32010	end cover	1
8	01213-05100	screw-spw	4
9	71051-51320	rotor	1
10	21007-51030	ball bearing	1
11	01000-10505	bolt	9
12	01612-01000	washer	9
13	71051-52310	stator	1
14	71051-52320	stator	1
15	01013-08400	bolt-spw	4
16	01000-10305	bolt	12

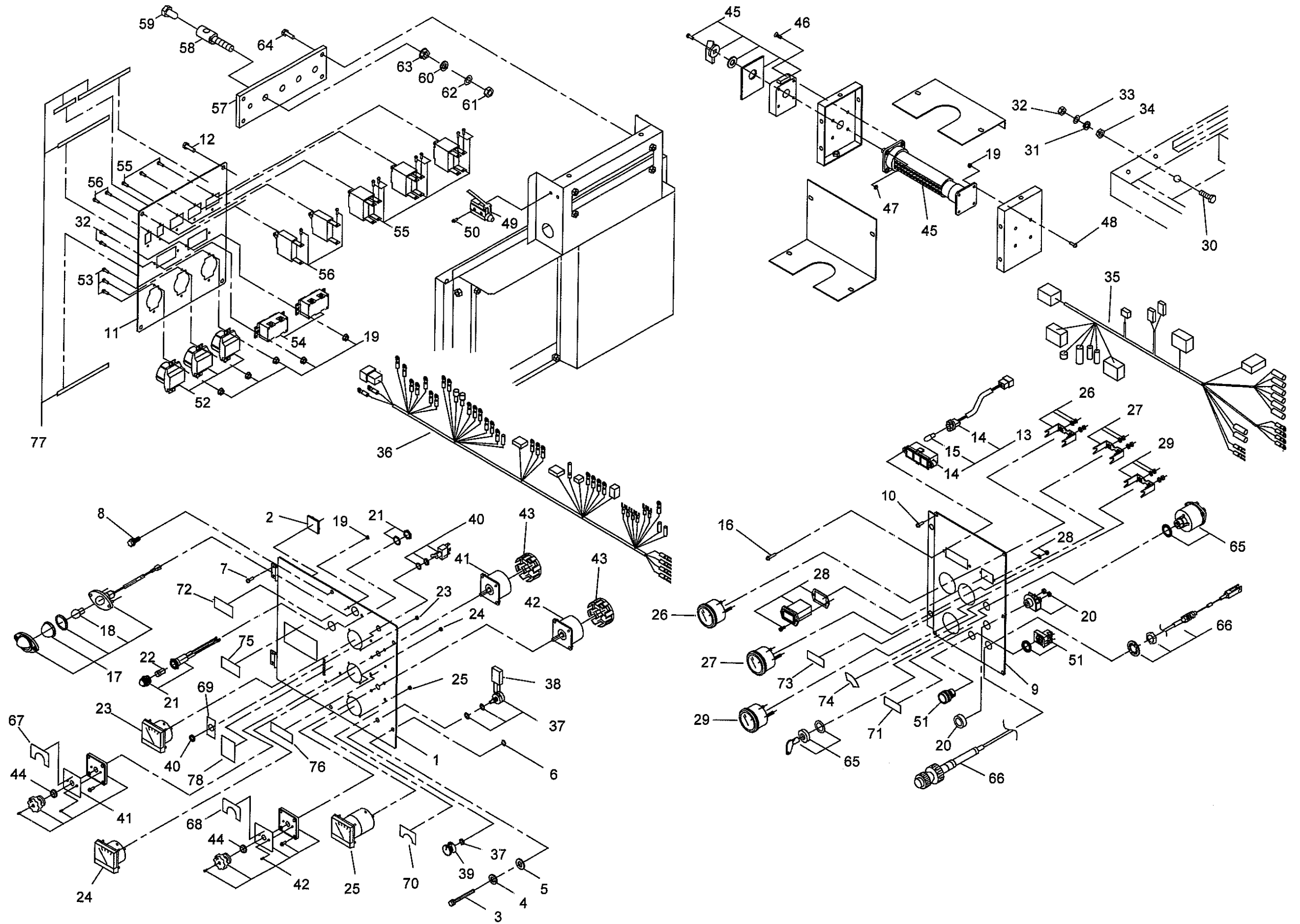


# DGK70B Illustrated Parts List - Drawing D

## Engine and Alternator Controls, Receptacle Panel and Voltage Selector Switch

Ref No.	Part No.	Description	Qty
1	71051-23380	control panel,left	1
2	21995-81220	tie mount	3
3	01000-06401	bolt	2
4	01600-06151	spring washer	2
5	01611-06160	washer	2
6	02434-50060	snap ring	2
7	01213-04080	screw-spw	4
8	01013-06160	bolt-spw	2
9	71051-23390	control panel,right	1
10	01213-05120	screw-spw	5
11	71060-26340	side panel	1
12	01013-08200	bolt-spw	4
13	21210-71010	monitor assy	1
14	21210-71020	monitor	1
15	21210-71030	lamp	3
16	01270-04162	screw,tapping	2
17	21000-71200	plate lamp subassy	1
18	21000-71220	lamp	1
19	11526-04112	flange nut	16
20	71051-71310	glow bracket	1
21	71041-71320	lamp bracket	1
22	71041-71330	lamp	1
23	15260-02023	meter	1
24	15260-10000	meter	1
25	15260-40007	meter	1
26	15260-80002	meter	1
27	15260-90002	meter	1
28	20929-77010	hour meter	1
29	21974-12330	fuel meter	1
30	01000-08356	bolt	1
31	01600-08201	spring washer	1
32	01500-08066	nut	1
33	01613-08166	washer	1
34	11526-08112	flange nut	1
35	71051-78310	wiring harness assy	1
36	71051-78330	wiring harness	1
37	15222-11000	variable resistor	1
38	21006-81020	wiring harness	1
39	21000-81210	dial	1

Ref No.	Part No.	Description	Qty
40	05260-13100	toggle switch	1
41	21001-82210	switch	1
42	21001-82310	switch	1
43	21001-82410	switch cover	2
44	15250-30601	grommet	2
45	05230-47400	cam switch	1
46	01212-05350	screw-pw	4
47	11526-05112	flange nut	4
48	01211-04120	screw-spw	4
49	05270-11200	limit switch	1
50	01015-04300	bolt-spw	2
51	21001-82110	switch	1
52	05201-37200	plug socket	3
53	01213-04120	screw-spw	10
54	05201-23100	plug socket	2
55	05281-28300	circuit protector	3
56	05281-04307	circuit protector	2
57	19500-01023	plate,inst	1
58	15240-19904	terminal post	5
59	21007-86010	bolt	5
60	01600-12301	spring washer	5
61	01500-12106	nut	5
62	01613-12236	washer	5
63	11527-12112	flange nut	5
64	01013-08350	bolt-spw	4
65	21001-87110	starter switch	1
66	21007-88010	throttle cable	1
67	19401-00258	label,inst	1
68	19401-00259	label,inst	1
69	19401-00212	label,inst	1
70	19401-00214	label,inst	1
71	19401-00210	label,inst	1
72	19401-00211	label,inst	1
73	19401-00268	label,inst	1
74	19401-00217	label,inst	1
75	19401-00235	label,inst	1
76	19401-00323	label,inst	1
77	19401-00317	label,inst	1
78	19407-00055	label,design	1

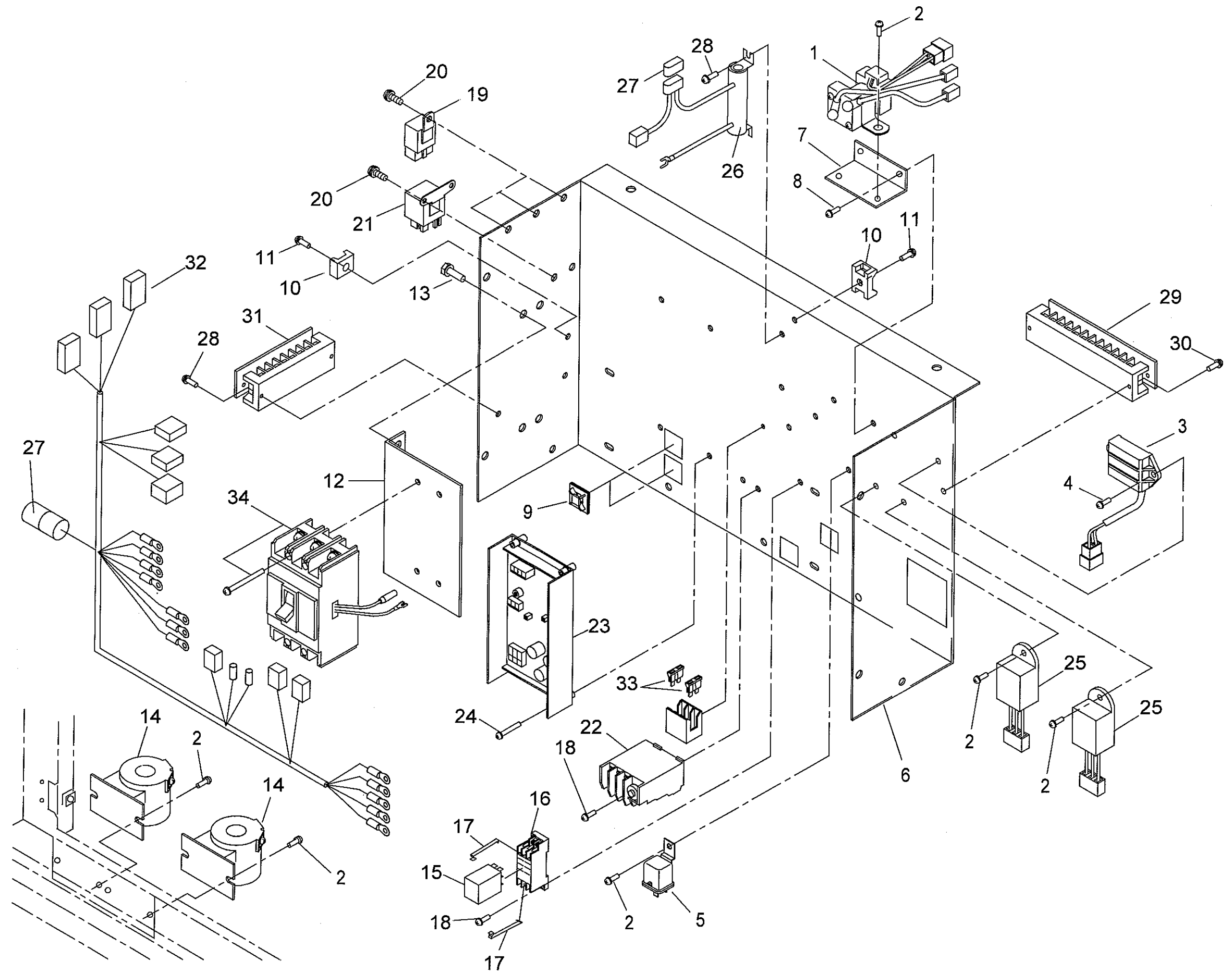


# DGK70B Illustrated Parts List - Drawing E

## Components Internal to the Engine and Generator Control Panel

---

Ref No.	Part No.	Description	Qty
1	21441-17310	safety relay	1
2	11217-05128	screw-spw	9
3	21006-17010	controller	1
4	11217-05168	screw-slpw	2
5	21000-17130	relay	1
6	71051-23320	front panel	1
7	21001-23531	stay	1
8	01213-05120	screw-spw	2
9	21995-81220	tie mount	4
10	21990-24220	tie mount	2
11	01210-05128	screw	2
12	71051-23430	breaker stay	1
13	01013-08200	bolt-spw	2
14	21000-72110	ct	2
15	71030-74310	relay	1
16	21000-74120	socket	1
17	21000-74130	stay	2
18	01213-04160	screw-spw	4
19	21441-74310	relay	3
20	01213-06160	screw-spw	5
21	21000-17120	relay	1
22	71050-74010	thermal relay	1
23	71030-75010	printed circuit	1
24	01213-04200	screw-spw	4
25	21616-75110	printed circuit	2
26	20700-77010	resistor comp	1
27	21501-77030	diode	2
28	01213-04120	screw-spw	4
29	71041-77310	terminal block	1
30	01213-05250	screw-spw	2
31	71040-77310	terminal block	1
32	71051-78370	wiring harness assy	1
33	21001-78130	fuse	2
34	71051-84310	breaker comp	1



# **shindaiwa**

## ***Construction Products***

Shindaiwa Incorporated  
11975 SW Herman Road  
Tualatin, OR 97062  
Phone 503 692-3070  
Fax 503 692-6696

[www.kwietpower.com](http://www.kwietpower.com)

11/22/04 Part No. 80969

Manufactured by Shindaiwa Kogyo Co., Ltd.  
Hiroshima, Japan