

ISUZU

DIESEL ENGINE

4JG1 TPD03

PARTS CATALOG

How to refer to the Parts Catalog

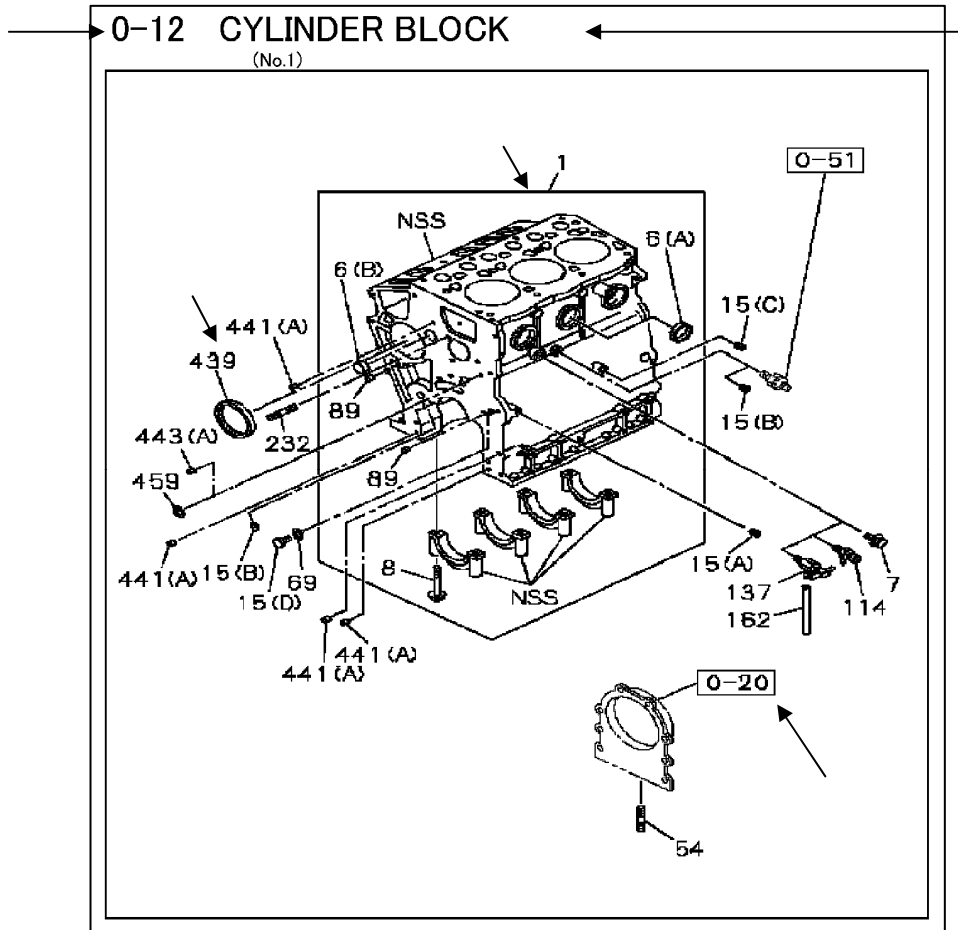


FIG. NO.

3-digit (X-XX) has been assigned to each section and illustration in the parts catalogue. The first digit from the right identifies the section originated in primary catalogue and the second and third digits identify the subsection.

For instance, "0-12" means Engine (0) and Cylinder Block (12).

Nomenclature of Illustrated Parts

The title contains a generic name(s) for the item(s) illustrated.

KEY NUMBER

The Key Number connects the illustrated part to the appropriate text.

Items described as "NSS" that stands of "Not Serviced Separately" are not a unit for replacement but is supplied in other unit such as assembly.

ASSEMBLY, KIT, SET AND COMPONENTS

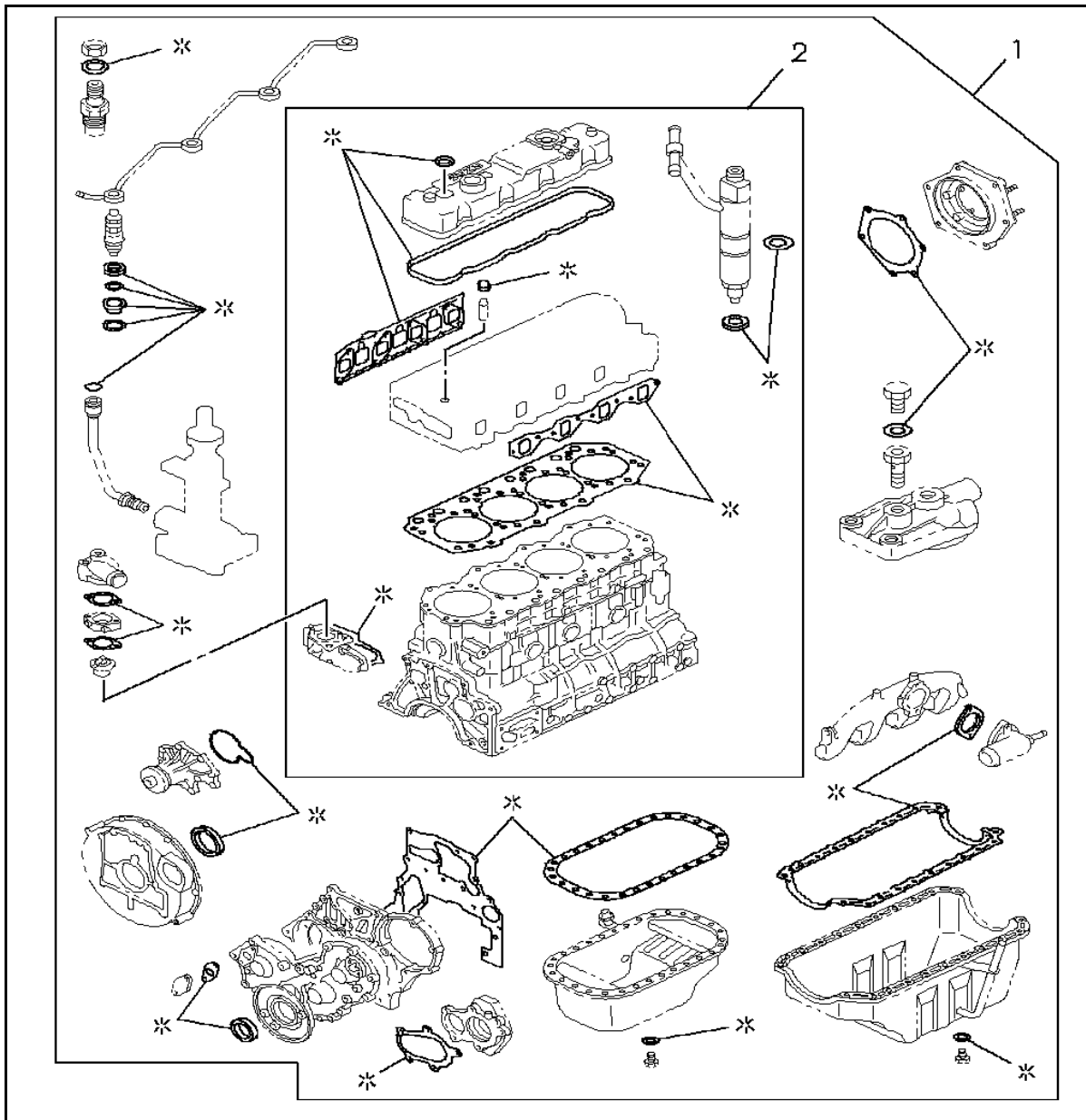
Assembly, Kit or Set are shown by an enclosing line. The component in Assembly, Kit or Set is also shown by the enclosing line.

FIG. NO.

Key Number is not shown for Items to be used for reference. Such items are shown to describe the composition purpose and should refer to another section in the Parts Catalogue for details.

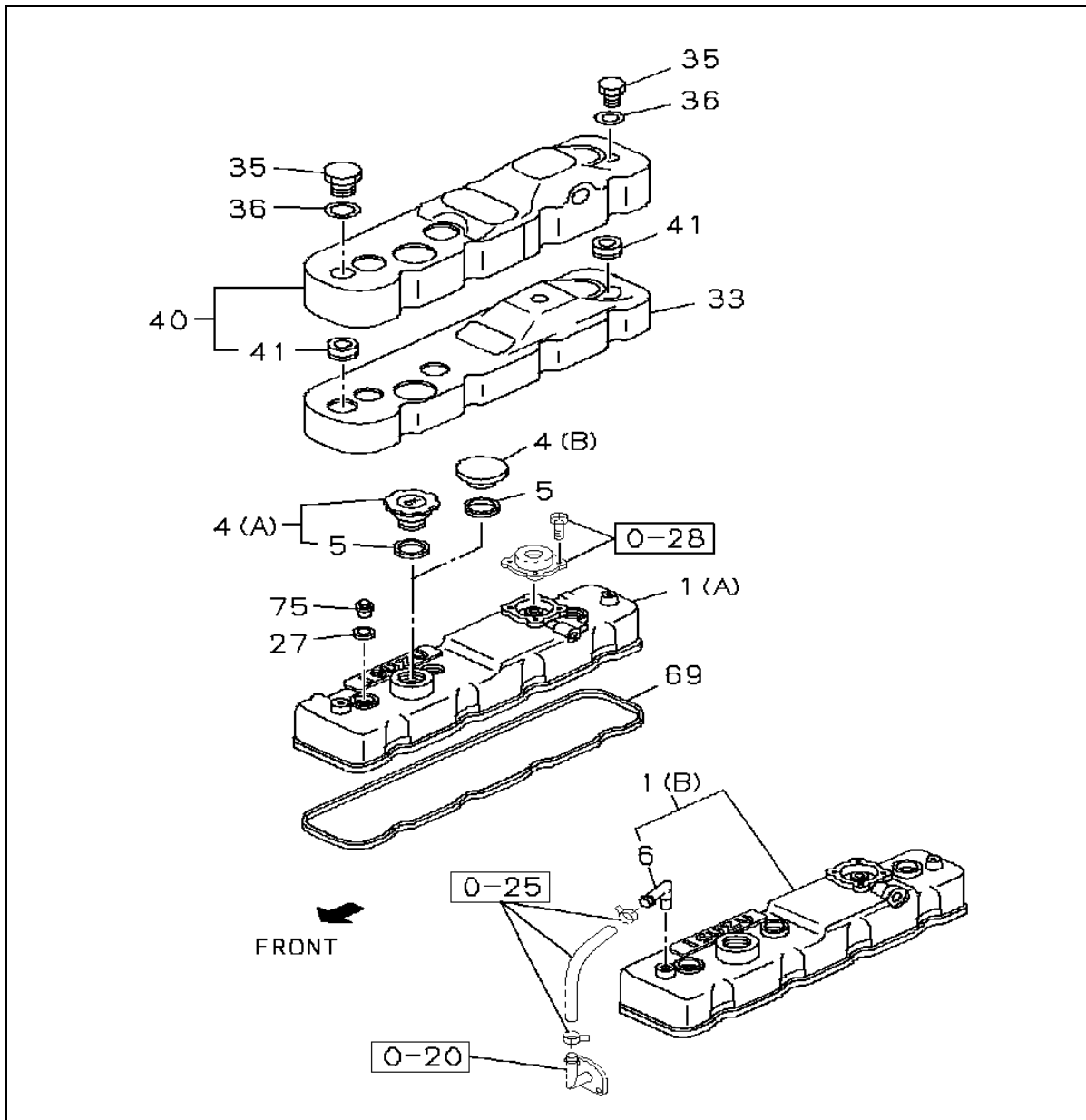
Section in the applicable catalog is shown next to the illustration.

0-05 ENGINE GASKET KIT



KEY No.	Part no.	qty	Part description
1	5-87815-580-0 <5-87815-939-1>	1	GASKET SET; ENG OVERHAUL GRADE=A
1	5-87813-835-5 <5-87815-940-1>	1	GASKET SET; ENG OVERHAUL GRADE=B
1	5-87815-302-1 <5-87815-940-1>	1	GASKET SET; ENG OVERHAUL GRADE=B
1	5-87815-581-0 <5-87815-941-1>	1	GASKET SET; ENG OVERHAUL GRADE=C
2	5-87815-598-0 <5-87815-598-1>	1	GASKET SET; ENG HD OVERHAUL GRADE=A
2	5-87813-836-2 <5-87813-836-3>	1	GASKET SET; ENG HD OVERHAUL GRADE=B
2	5-87815-599-0 <5-87815-599-1>	1	GASKET SET; ENG HD OVERHAUL GRADE=C

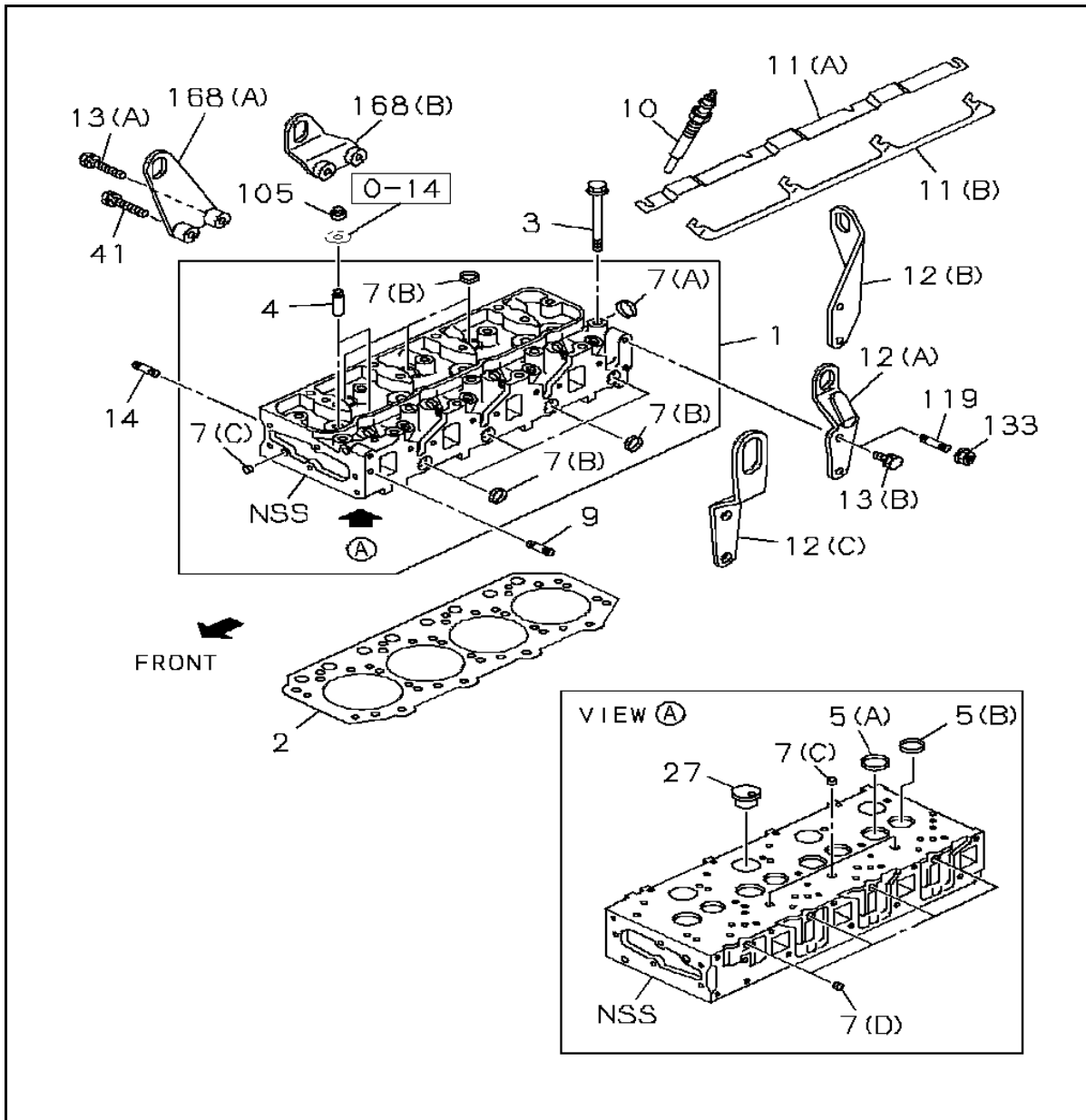
0-10 CYLINDER HEAD COVER



KEY No.	Part no.	qty	Part description
1 (A)	8-97081-742-2	1	COVER; CYL HD
1 (B)	8-97311-627-0	1	COVER; CYL HD
4 (A)	8-94133-207-5	1	CAP; OIL FILLER
4 (B)	8-98056-121-0	1	CAP; OIL FILLER
5	8-94123-623-1	1	GASKET; OIL FILLER ID=32 OD=40
6	8-94386-233-0 <8-98005-356-0>	1	PIPE; PCV POSE
27	8-94202-456-3	3	GASKET; HD COVER ID=19.5 ALSO INCLUDED IN GASKET SET(ENG & HEAD)
33	8-97147-921-0	1	RUBBER; SPACE,CYL HD COVER
36	9-09651-112-0 <0-91614-708-0>	2	WASHER; PL,NOISE SHIELD COVER ID=8.5 OD=30 T=2.6
40	8-94133-732-2	1	COVER
41	8-94256-959-0	2	GROMMET; HD COVER,OUTER
69	8-97349-416-1	1	GASKET; HD TO COVER ALSO INCLUDED IN GASKET SET(ENG & HEAD)

KEY No.	Part no.	qty	Part description
75	8-94158-108-0	3	NUT; CAP,HD COVER M8 OD=19

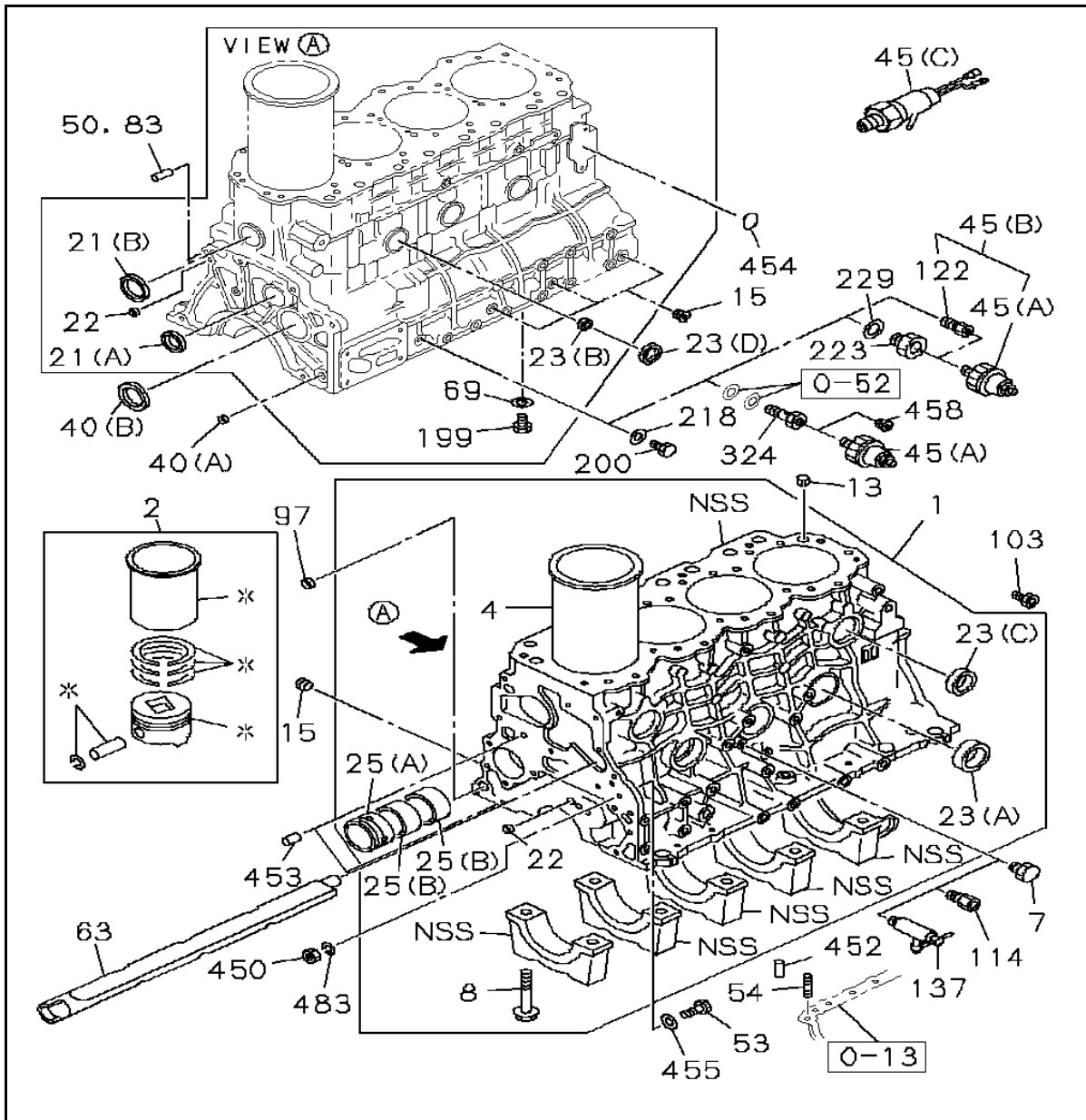
0-11 CYLINDER HEAD



KEY No.	Part no.	qty	Part description
1	8-97109-642-3	1	HEAD ASM; CYL
2	8-97066-196-0	1	GASKET; CYL HD T=1.60 1-HOLE ALSO INCLUDED IN GASKET SET(ENG & HEAD)
2	8-97066-197-0	1	GASKET; CYL HD T=1.65 2-HOLE ALSO INCLUDED IN GASKET SET(ENG & HEAD)
2	8-97066-198-0	1	GASKET; CYL HD T=1.70 3-HOLE ALSO INCLUDED IN GASKET SET(ENG & HEAD)
3	8-97133-416-1	18	BOLT; CYL HD TO BLOCK M11X122
4	5-11721-016-0	8	GUIDE; VLV
5 (A)	8-97231-228-0	4	SEAT; VLV INSERT INLET
5 (B)	8-97231-229-0	4	SEAT; VLV INSERT EXHAUST
7 (A)	8-97351-451-0 <8-97036-550-1>	1	CUP; SEALING,CYL HEAD OD=45

KEY No.	Part no.	qty	Part description
7 (A)	1-09600-005-2 <8-97036-550-1>	1	CUP; SEALING,CYL HEAD OD=45
7 (B)	8-97209-609-0	7	CUP; SEALING,CYL HEAD OD=22
7 (C)	5-11129-006-0	3	CUP; SEALING,CYL HEAD OD=16
7 (D)	5-09600-013-0	5	CUP; SEALING,CYL HEAD OD=12.3
9	0-41010-825-0	2	STUD; INL MANIF M8X25 L=37
10	8-97364-128-1 <8-97364-128-0>	4	PLUG; GLOW
11 (B)	8-94153-723-2	1	CONNECTOR; GLOW PLUG
12 (A)	8-97107-739-0	1	HANGER; ENG,RR
12 (B)	8-97078-092-0	1	HANGER; ENG,RR
12 (C)	8-98005-103-0	1	HANGER; ENG,RR
13 (A)	0-28650-825-0	1	BOLT; HANGER M8X25 FLANGE
13 (B)	0-28650-820-0	2	BOLT; HANGER M8X20 FLANGE
14	8-94156-939-0	1	STUD; EXH MANIF M8X87
14	8-97256-787-1 <8-97256-787-0>	2	STUD; EXH MANIF M8X12 L=133
14	8-97378-067-0	5	STUD; EXH MANIF M8X43 L=54
41	0-28651-030-0	1	BOLT; ENG HANGER M10X30 FLANGE
105	8-97120-307-0	8	SEAL; OIL VLV STEM ALSO INCLUDED IN GASKET SET(ENG & HEAD)
168 (B)	8-94440-429-0	1	HANGER; ENG,FRT

0-12 CYLINDER BLOCK



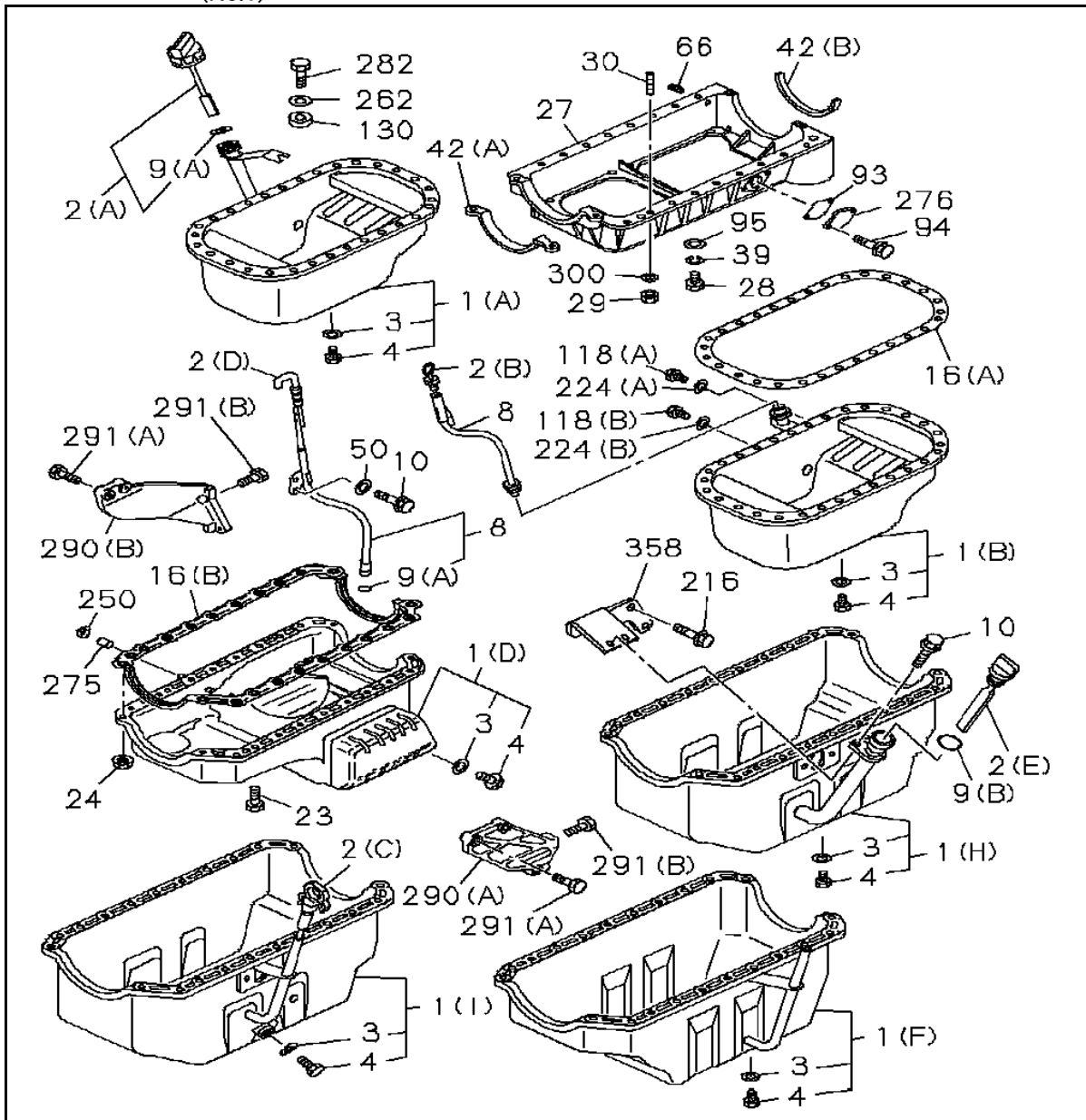
KEY No.	Part no.	qty	Part description
1	8-97352-744-2	1	BLOCK ASM; CYL
2	5-87814-613-0	4	LINER SET; ENG CYL GRADE=1
2	5-87814-614-0	4	LINER SET; ENG CYL GRADE=2
2	5-87814-615-0	4	LINER SET; ENG CYL GRADE=3
2	5-87814-616-0	4	LINER SET; ENG CYL GRADE=4
4	8-97176-699-0	4	LINER; C/BL OD GRD=1,ID GRD=AX ALSO INCLUDED IN LINER SET.
4	8-97176-700-0	4	LINER; C/BL OD GRD=1,ID GRD=CX ALSO INCLUDED IN LINER SET.
4	8-97176-701-0	4	LINER; C/BL OD GRD=2,ID GRD=AX ALSO INCLUDED IN LINER SET.

KEY No.	Part no.	qty	Part description
4	8-97176-702-0	4	LINER; C/BL OD GRD=2,ID GRD=CX ALSO INCLUDED IN LINER SET.
4	8-97176-703-0	4	LINER; C/BL OD GRD=3,ID GRD=AX ALSO INCLUDED IN LINER SET.
4	8-97176-704-0	4	LINER; C/BL OD GRD=3,ID GRD=CX ALSO INCLUDED IN LINER SET.
4	8-97176-705-0	4	LINER; C/BL OD GRD=4,ID GRD=AX ALSO INCLUDED IN LINER SET.
4	8-97176-706-0	4	LINER; C/BL OD GRD=4,ID GRD=CX ALSO INCLUDED IN LINER SET.
7	9-09664-001-0	1	PLUG; WATER DRAIN PT1/4
8	8-94432-642-0	10	BOLT; BRG CAP M14X89 FLANGE
13	8-94453-344-0	2	DOWEL; C/BL TO HD
15	1-09605-050-0 <8-97369-552-1>	3	PLUG; OIL GALLERY PT1/8
21 (A)	5-11219-017-0	1	CUP; SEALING,RR OD=38
21 (B)	5-11219-018-0	1	CUP; SEALING,RR OD=36
22	5-09600-013-0	1	CUP; SEALING,DUCT HOLL OD=12.3
23 (A)	8-97036-550-1	3	CUP; SEALING,C/BL FRT & RR OD=45
23 (B)	5-11219-008-0	3	CUP; SEALING,C/BL FRT & RR OD=18
23 (C)	5-11219-015-0 <1-09600-012-2>	2	CUP; SEALING,C/BL FRT & RR OD=32
23 (D)	5-11219-018-0	3	CUP; SEALING,C/BL FRT & RR OD=36
25 (A)	8-97378-148-0	1	METAL; CM/SHF FRONT
25 (B)	8-97378-147-0	2	METAL; CM/SHF CENTER
40 (A)	5-11129-006-0	2	CUP; SEALING,C/BL RR OD=16
40 (B)	8-94250-514-1	1	CUP; SEALING,C/BL RR OD=56
45 (A)	9-82720-069-0	1	SWITCH; OIL PRESSURE
45 (C)	5-82410-036-2	1	SWITCH; OIL PRESSURE
50	9-08161-032-0	1	PIN; STRAIGHT,RR PLATE OD=10 L=32
53	9-09606-535-0	1	BOLT; REAMER
54	8-94133-974-2	8	STUD; OIL PAN TO BLOCK M8 L=35.4
54	8-94133-974-2	9	STUD; OIL PAN TO BLOCK M8 L=35.4
54	8-97253-999-0	4	STUD; OIL PAN TO BLOCK M8 L=41.4
63	8-94456-794-3	1	DUCT; WATER,C/BL
69	9-09571-416-0	1	GASKET; PLUG,OIL GALLERY,C/BL ID=16.2 OD=24.0
83	9-08151-228-0	2	PIN; FLYWHEEL HSG

KEY No.	Part no.	qty	Part description
97	5-11129-003-0	1	CUP; SEALING OD=15.6
103	8-94130-021-1	1	NIPPLE; OIL FEED
114	8-94177-890-0	1	NIPPLE; WATER DRAIN
122	9-09902-238-0	1	ADAPTER; OIL PRESSURE SWITCH PT1/8
137	8-94342-414-0	1	COCK; DRAIN,WATER
324	8-97238-991-0	1	ADAPTER; OIL PRESSURE SWITCH
450	0-91111-510-0	1	NUT; REAMER BOLT
453	9-08151-020-0	1	PIN; C/BL TO GEAR CASE OD=10 L=20
455	9-09561-212-0	1	GASKET; REAMER BOLT
458	1-09605-050-0 <8-97369-552-1>	1	PLUG; CONNECTOR PT1/8
483	9-09150-510-0 <1-09985-345-0>	1	WASHER; LK,REAMER BOLT
483	0-91510-510-0	1	WASHER; LK,REAMER BOLT
485	8-97160-629-2	1	PLATE; RR,C/BL

0-13 OIL PAN AND LEVEL GAUGE

(No.1)

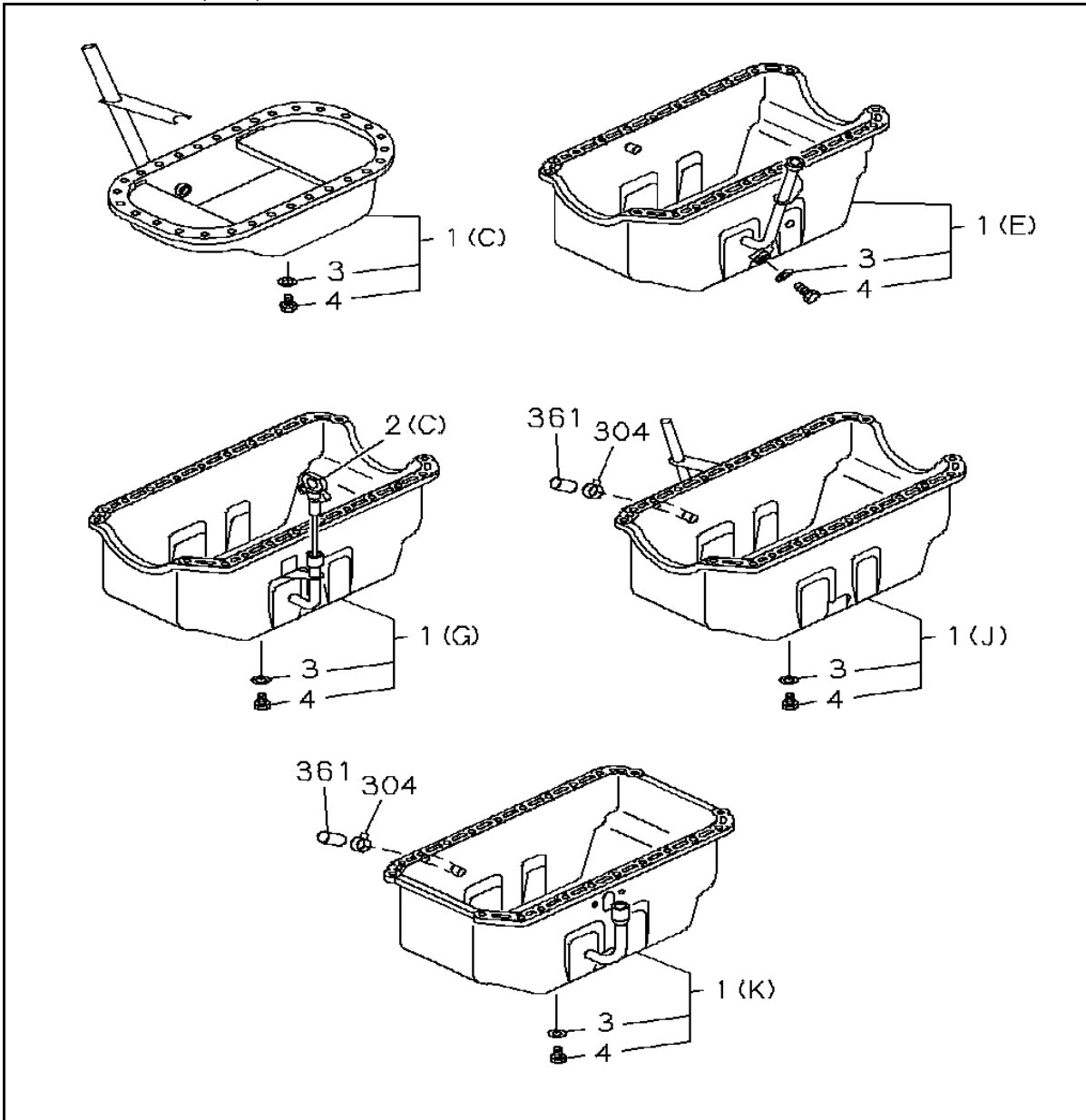


KEY No.	Part no.	qty	Part description
1 (A)	8-97170-712-1	1	PAN ASM; OIL
1 (D)	8-97080-190-3	1	PAN ASM; OIL
1 (H)	8-97318-643-0	1	PAN ASM; OIL
2 (D)	8-94470-765-0	1	GAUGE; OIL LEVEL
2 (E)	8-97318-710-0	1	GAUGE; OIL LEVEL
3	1-09623-183-0 <8-94399-398-0>	1	GASKET; DRAIN PLUG ID=24.4 ALSO INCLUDED IN GASKET SET(ENGINE)
3	1-09623-057-0	1	GASKET; DRAIN PLUG ID=24.4 ALSO INCLUDED IN GASKET SET(ENGINE)
4	9-09662-012-0	1	PLUG; DRAIN,OIL M20
9 (B)	1-09623-246-0	1	GASKET; GUIDE TUBE,OIL LEVEL GAUGE
10	0-28050-616-0	2	BOLT; GUIDE TUBE M6X16 FLANGE
16 (B)	8-97080-194-0	1	GASKET; OIL PAN TO C/BL ALSO INCLUDED IN GASKET SET(ENGINE)

KEY No.	Part no.	qty	Part description
23	8-94133-973-2	9	BOLT; OIL PAN M8X18.9
24	5-09440-010-0 <0-91180-208-0>	12	NUT; OIL PAN
24	5-09440-010-0 <0-91180-208-0>	13	NUT; OIL PAN
50	9-09164-708-0 <0-91614-708-0>	1	WASHER; PL,GUIDE TUBE
66	9-09204-521-0 <9-09663-001-0>	1	PLUG; CRANKCASE PT1/2
95	9-09160-508-0 <0-91610-508-0>	4	WASHER; PL,CRANKCASE
118 (A)	9-09571-416-0	1	GASKET; PLUG,OIL HTR ID=16.2 OD=24
118 (B)	9-09571-424-0	1	GASKET; PLUG,OIL HTR ID=24.5 OD=32
130	9-14149-173-0	1	SPACER; DIST,OIL PAN
216	0-28081-020-0 <0-50541-020-0>	2	BOLT; BRKT M10X20 FLANGE
216	0-28051-020-0	2	BOLT; BRKT M10X20 FLANGE
224 (B)	9-99202-324-0 <1-09604-021-0>	1	PLUG; OIL PAN HTR M24X12
275	8-94249-289-0 <8-94173-731-0>	1	CAP; RUBBER ID=12 L=30
290 (A)	8-97230-070-0	1	STIFFNER; OIL PAN
290 (B)	8-97230-069-0	1	STIFFNER; OIL PAN
291 (A)	0-28651-040-0	4	BOLT; STIFFENER; OIL PAN M10X40 FLANGE
291 (B)	0-28651-230-0	2	BOLT; STIFFENER; OIL PAN M12X30 FLANGE
358	8-97318-930-0	1	BRACKET; OIL FILLER

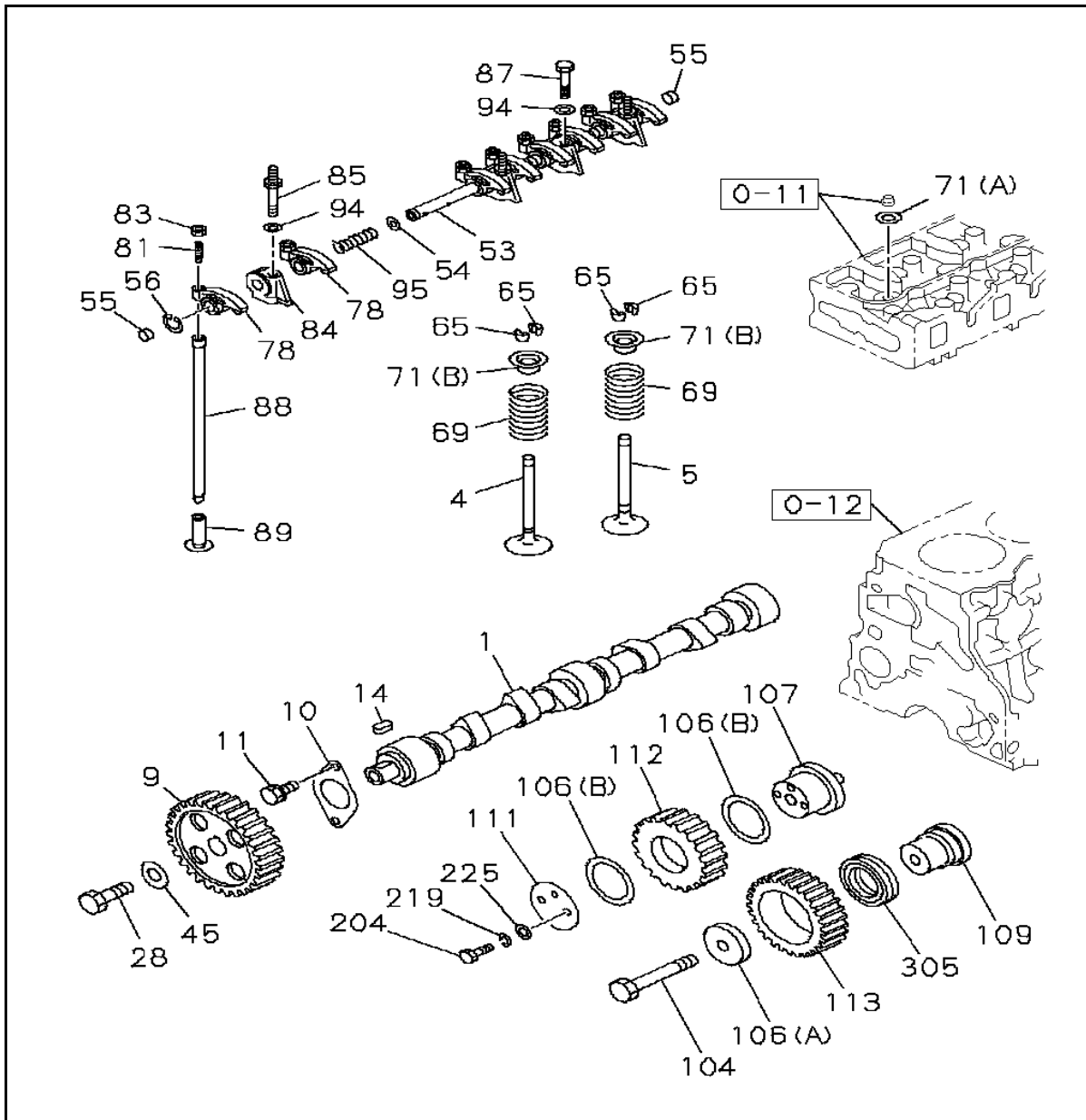
0-13 OIL PAN AND LEVEL GAUGE

(No.2)



KEY No.	Part no.	qty	Part description
1 (C)	8-97173-866-1	1	PAN ASM; OIL
1 (K)	8-98020-536-0	1	PAN ASM; OIL

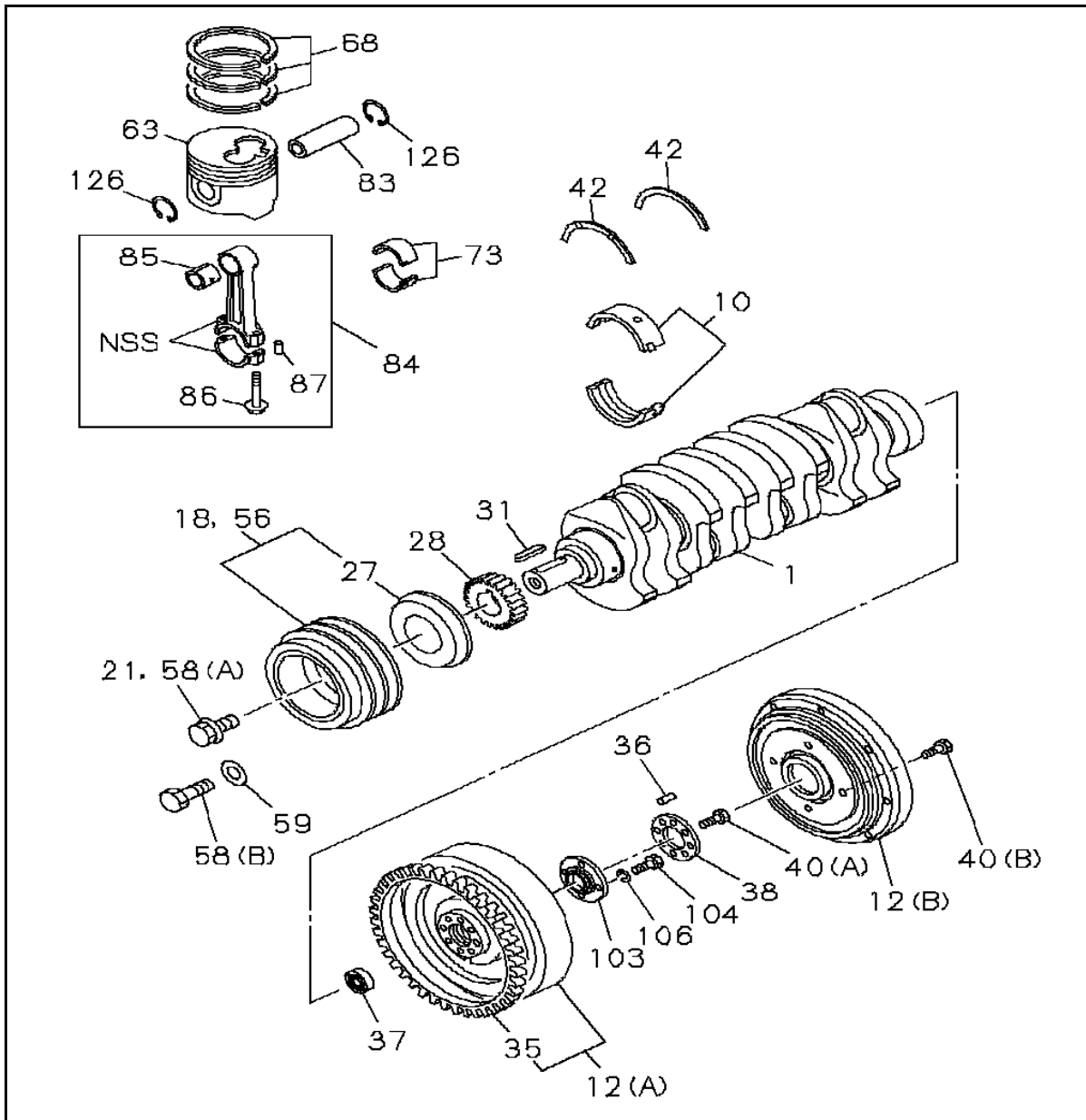
0-14 CAMSHAFT AND VALVE



KEY No.	Part no.	qty	Part description
1	8-97287-657-1	1	CAMSHAFT
4	8-94133-275-2	4	VALVE; INL
5	8-97065-970-0 <8-97118-767-1>	4	VALVE; EXH
9	8-94324-336-1	1	GEAR; CM/SHF
10	8-94110-480-1	1	PLATE; THRUST
11	0-50540-816-0	2	BOLT; THRUST PLATE TO C/BL M8X16 W/LK WASHER
14	9-08000-718-0	1	KEY; CM/SHF
28	5-09000-069-0	1	BOLT; CAM PULLEY M12X47
45	5-12519-002-1	1	WASHER; GEAR CAM
53	8-94152-346-0 <8-97036-197-0>	1	SHAFT; ROCKER ARM
54	8-94341-906-0	6	WASHER; ROCKER SPR
55	9-12626-005-0	2	PLUG; ROCKER SHAFT END
56	9-09180-019-0	2	RING; SNAP,ROCKER ARM
65	5-12565-004-0	16	COLLAR; SPLIT
69	8-94252-536-1	8	SPRING; VLV,OUTER

KEY No.	Part no.	qty	Part description
71 (A)	5-12563-001-0	8	SEAT; SPR OD=34
71 (B)	8-94133-731-2	8	SEAT; SPR OD=32.8
78	8-94152-344-0	8	ARM; ROCKER
81	8-94152-283-1	8	SCREW; ADJ,ROCKER ARM M8X30
83	0-91111-508-0	8	NUT; ADJ SCREW,LK
84	8-94152-345-1	4	BRACKET; ROCKER SHAFT,INTER
85	8-94433-304-0	1	BOLT; BRKT M8X15 & M10X60 L=82
87	8-94433-302-0	3	BOLT; ROCKER SHAFT M10X60
88	8-97071-673-0	8	ROD; PUSH
89	8-94438-305-1	8	TAPPET; VLV
94	9-09164-010-0 <9-09164-510-0>	4	WASHER; PL,BRKT
95	8-94433-303-0	3	SPRING; ROCKER SHAFT
104	8-94109-706-1	1	BOLT; SHAFT IDLE
106 (A)	5-12519-002-1	1	WASHER; IDLE GEAR SHAFT
107	8-97920-007-0	1	SHAFT; IDLE GEAR
109	8-94109-913-1	1	SHAFT; IDLE GEAR
111	8-94141-937-1	1	COLLAR; THRUST,IDLE GEAR
112	8-94328-217-0	1	GEAR; IDLE Z=43
113	8-97147-334-0	1	GEAR; IDLE Z=52
204	5-09000-084-1 <8-94150-045-1>	2	BOLT; IDLE GEAR SHAFT M8X55 W/LK WASHER
305	8-94110-271-0	1	BEARING; IDLE GEAR

0-15 CRANKSHAFT,PISTON AND FLYWHEEL

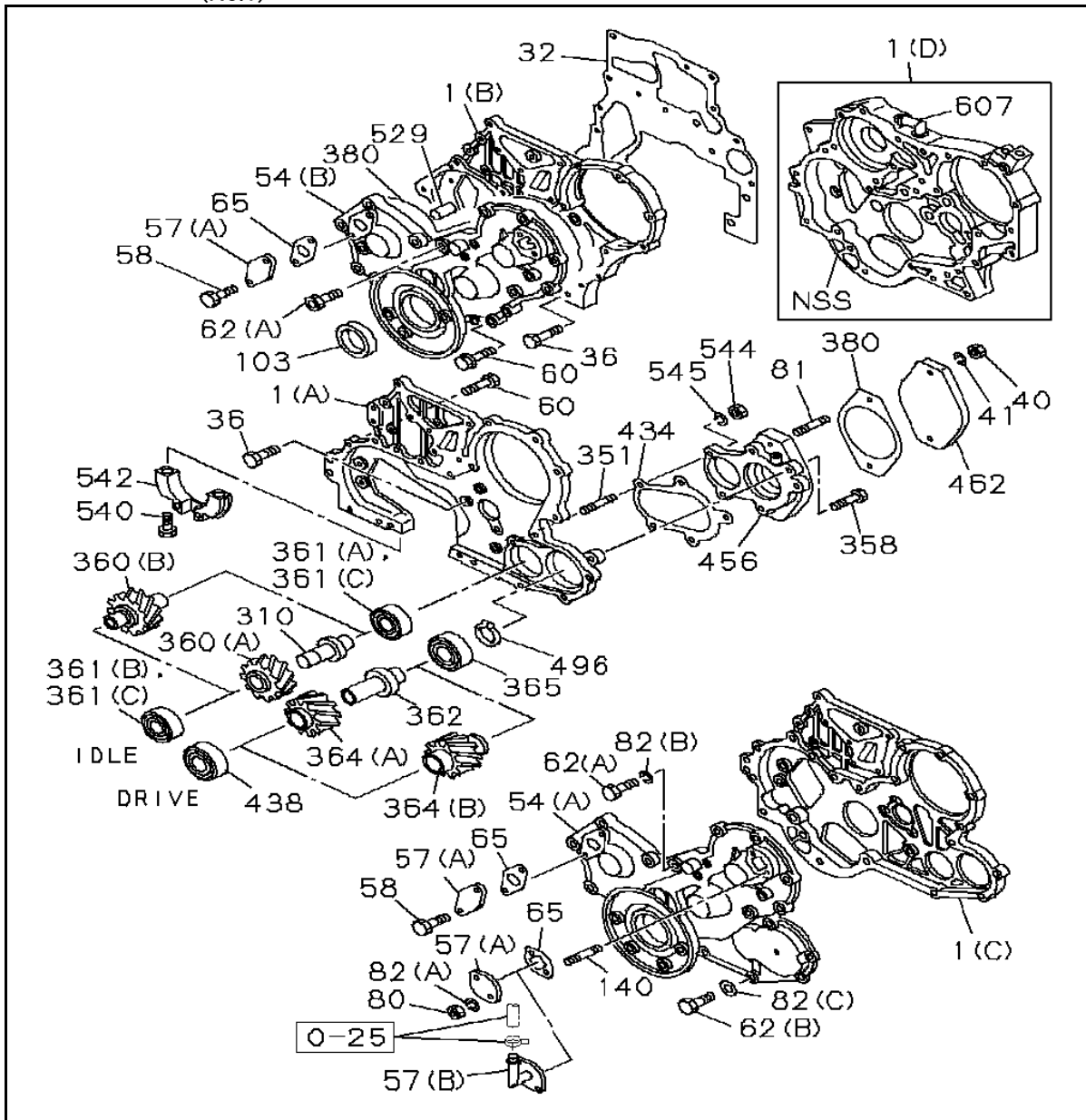


KEY No.	Part no.	qty	Part description
1	8-97190-930-3	1	CRANKSHAFT
10	8-97387-964-0	5	METAL SET; CRANKSHAFT,STANDARD GRADE=1
10	8-97387-965-0	5	METAL SET; CRANKSHAFT,STANDARD GRADE=2
10	8-97387-966-0	5	METAL SET; CRANKSHAFT,STANDARD GRADE=3
10	8-97387-967-0	5	METAL SET; CRANKSHAFT,STANDARD GRADE=4
10	8-97387-968-0	5	METAL SET; CRANKSHAFT,STANDARD GRADE=5
12 (A)	8-97318-645-0	1	FLYWHEEL
21	5-09000-273-2	1	BOLT; PULLEY FIX M16X43
27	9-12373-606-0	1	THROWER; DUST
28	8-94324-335-0	1	GEAR; CR/SHF
31	8-94201-641-0	1	KEY; FEATHER,CR/SHF
35	8-94419-602-1	1	GEAR; RING Z=108

KEY No.	Part no.	qty	Part description
37	5-09801-001-0	1	BEARING; PILOT, TOP GEAR SHAFT
38	8-94142-156-1	1	WASHER; FLYWHEEL
40 (A)	8-97065-984-1	8	BOLT; FLYWHEEL M13X36
42	8-97383-740-0	2	WASHER; THRUST, CR/SHF
56	8-94139-340-4	1	PULLEY; CR/SHF DAMPER
58 (B)	8-94153-722-1	1	BOLT; CR/SHF PULLEY M16X63
59	5-09503-127-1	1	WASHER; CR/SHF PULLEY
63	8-97245-415-0	4	PISTON GRADE=AX ALSO INCLUDED IN LINER SET.
63	8-97245-414-0	4	PISTON GRADE=CX ALSO INCLUDED IN LINER SET.
68	8-97147-984-0	4	RING SET; PISTON, STANDARD ALSO INCLUDED IN LINER SET.
73	8-94324-159-0 <8-97358-234-0>	4	METAL SET; CONN ROD, STANDARD
73	8-97358-234-0	4	METAL SET; CONN ROD, STANDARD
83	8-94457-008-1	4	PIN; PISTON ALSO INCLUDED IN LINER SET.
84	8-98013-962-4	4	ROD ASM; CONN
85	8-97289-264-1	4	BUSHING; CONNROD
86	8-98048-538-0	8	BOLT; CONNROD M11X44.5
87	9-08160-508-0	8	PIN; CONNROD BIG END
126	8-94460-687-0	8	RING; SNAP, PISTON PIN ALSO INCLUDED IN LINER SET.

0-20 TIMING GEAR CASE AND FLYWHEEL HOUSING

(No.1)

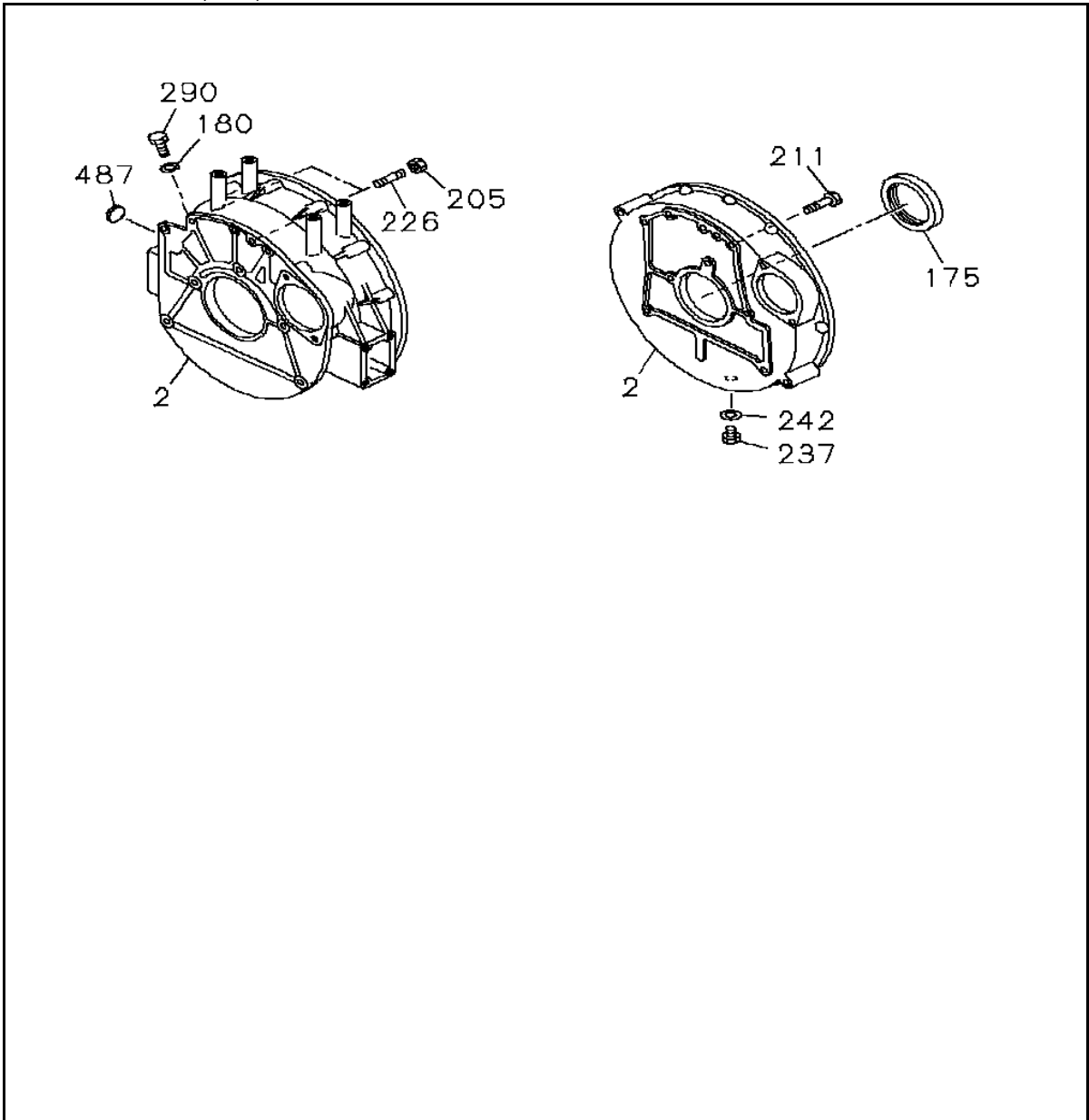


KEY No.	Part no.	qty	Part description
1 (D)	8-97238-964-0	1	CASE; TIMING GEAR
32	8-97129-427-1	1	GASKET; GEAR CAST TO C/BL ALSO INCLUDED IN GASKET SET(ENGINE)
36	0-50040-845-0 <0-50740-845-0>	2	BOLT; GEAR CASE M8X45 W/LK WASHER
36	0-50540-845-0 <0-50740-845-0>	2	BOLT; GEAR CASE M8X45 W/LK WASHER
36	0-50540-818-0	3	BOLT; GEAR CASE M8X18 W/LK WASHER
36	0-50040-820-0 <0-50740-820-0>	3	BOLT; GEAR CASE M8X20 W/LK WASHER
36	0-50540-820-0	3	BOLT; GEAR CASE M8X20 W/LK WASHER
54 (B)	8-97231-214-1	1	COVER; GEAR CASE
57 (A)	5-11321-009-0	2	COVER; TIMING CHECK HOLE
57 (B)	8-97311-682-1	1	COVER; TIMING CHECK HOLE
58	0-28050-612-0	4	BOLT; CHECK HOLE COVER M6X12 FLANGE

KEY No.	Part no.	qty	Part description
62 (A)	0-58331-255-0	1	BOLT; COVER M12X55 W/HEX-SOCKET
62 (B)	0-28050-830-0	8	BOLT; COVER M8X30 FLANGE
62 (B)	0-28050-860-0	7	BOLT; COVER M8X60 FLANGE
65	8-97027-601-1 <8-97118-698-1>	2	GASKET; COVER,TIMING CHECK HOLE ALSO INCLUDED IN GASKET SET(ENGINE)
82 (C)	0-91610-708-0	1	WASHER; LK,COVER
103	5-09625-079-0 <8-97049-145-0>	1	SEAL; OIL,CR/SHF,FRT ALSO INCLUDED IN GASKET SET(ENGINE)
358	0-50040-835-0 <0-50540-835-0>	1	BOLT; ADAPTER M8X35 W/LK WASHER
380	8-97287-694-0	1	GASKET; COVER ALSO INCLUDED IN GASKET SET(ENGINE)
529	9-08151-020-0	2	PIN; STRAIGHT OD=10 L=20
607	8-94340-716-1	1	PIPE; WATER

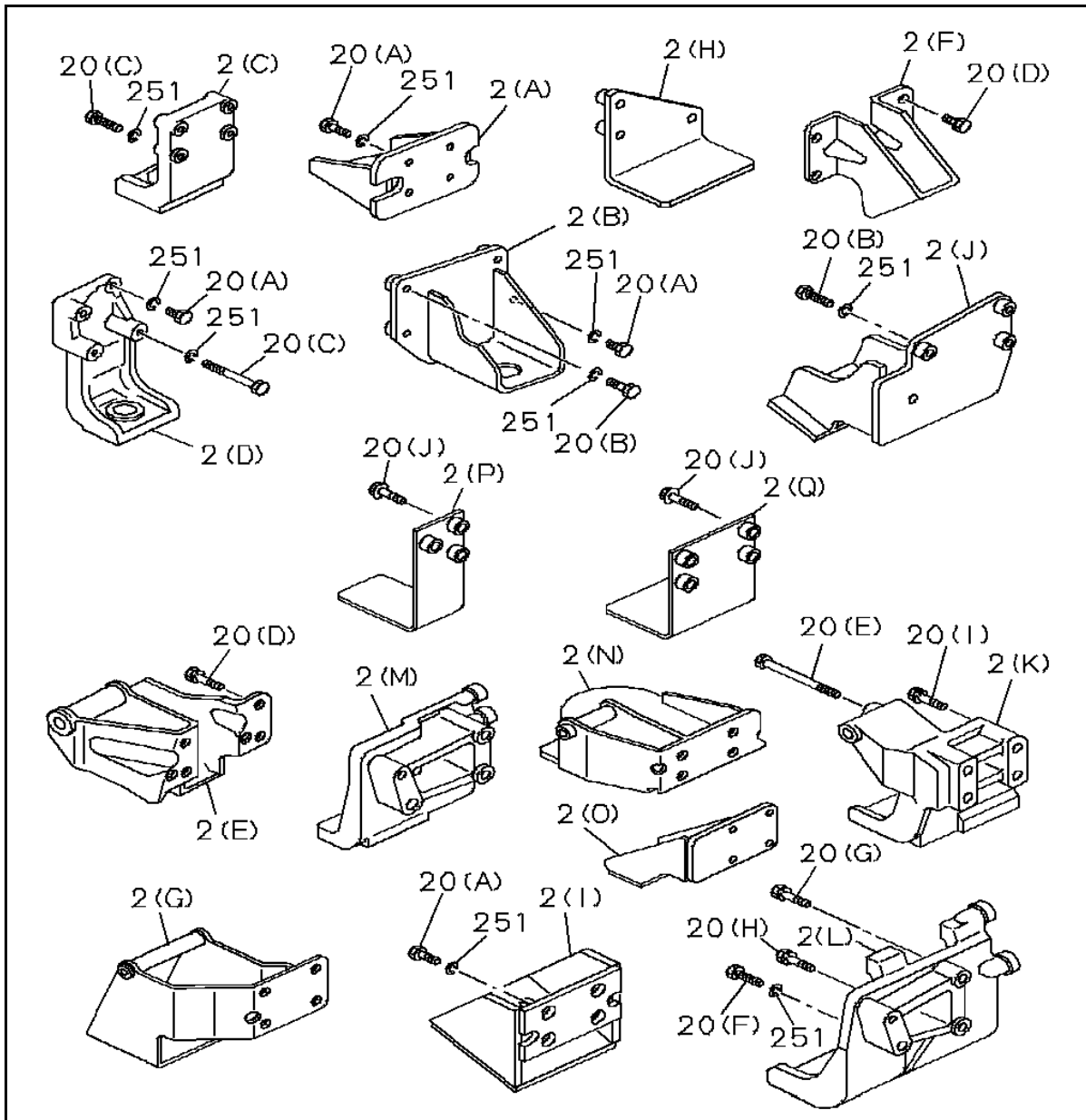
0-20 TIMING GEAR CASE AND FLYWHEEL HOUSING

(No.2)



KEY No.	Part no.	qty	Part description
2	8-97218-112-1	1	HOUSING; FLYWHEEL
175	8-97071-561-1	1	SEAL; OIL,CR/SHF,RR ALSO INCLUDED IN GASKET SET(ENGINE)
205	0-91180-210-0	2	NUT; HSG
211	5-09000-227-0	3	BOLT; HSG M12X25
211	0-28651-030-0	1	BOLT; HSG M10X30 FLANGE
226	8-94107-726-0	2	STUD; HSG
487	8-97220-740-0	1	COVER; HOLE

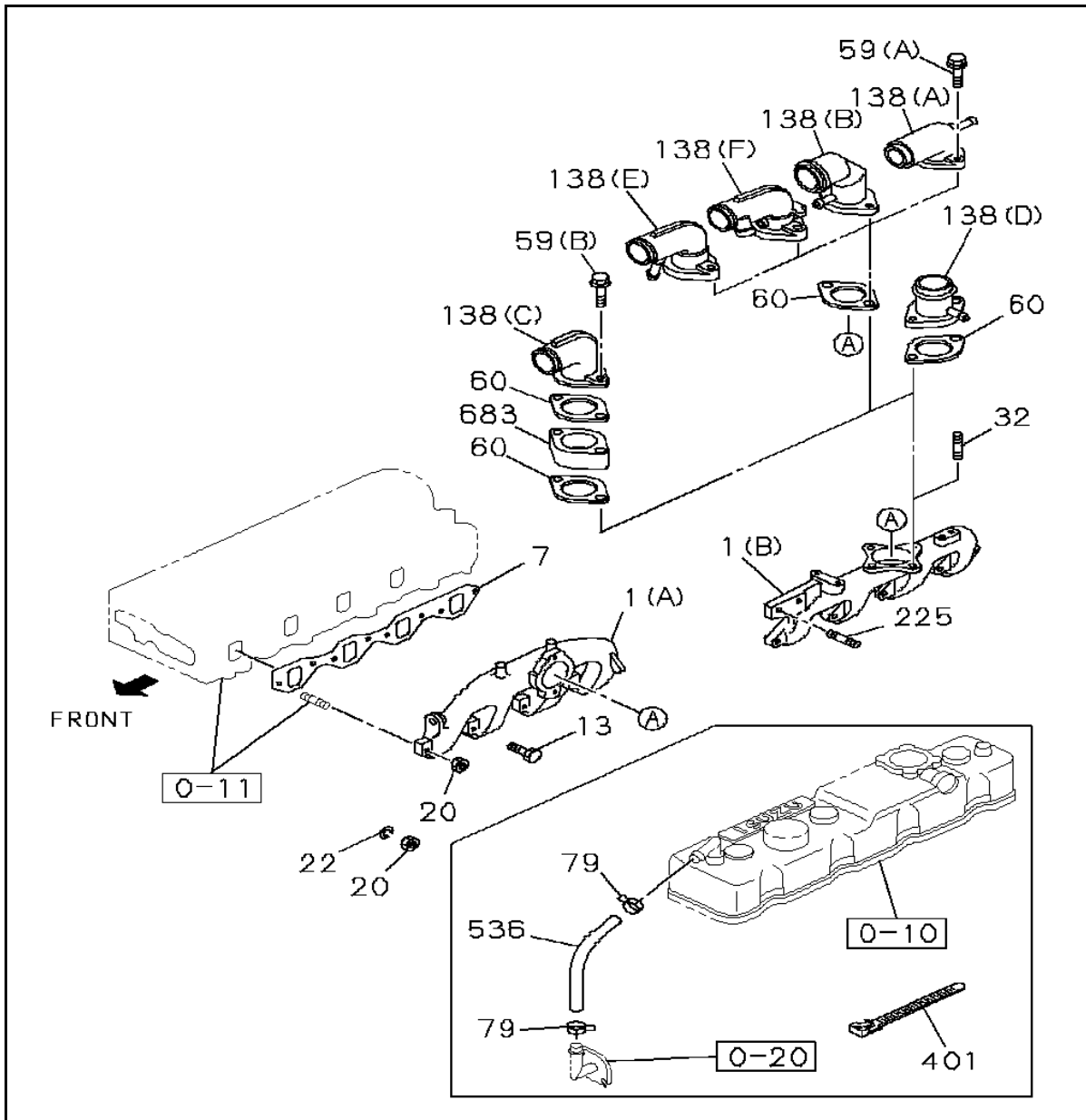
0-22 ENGINE MOUNTING



KEY No.	Part no.	qty	Part description
2 (C)	8-94435-086-1	1	FOOT; ENG
2 (D)	8-94435-087-1	1	FOOT; ENG
2 (G)	8-97253-518-0	1	FOOT; ENG
2 (H)	8-94344-999-0	1	FOOT; ENG
2 (I)	8-97286-905-0	1	FOOT; ENG
2 (J)	8-97286-906-0	1	FOOT; ENG
2 (M)	8-97286-895-0	1	FOOT; ENG
2 (N)	8-97184-828-1	1	FOOT; ENG
2 (O)	5-11771-130-1	1	FOOT; ENG
2 (P)	8-97352-948-1	1	FOOT; ENG
2 (Q)	8-97352-947-0	1	FOOT; ENG
20 (A)	9-02061-025-0	1	BOLT; ENG FOOT M10X25
20 (A)	9-02061-035-0	2	BOLT; ENG FOOT M10X35
20 (C)	9-01066-045-0	1	BOLT; ENG FOOT M10X45
20 (C)	0-10956-060-0	2	BOLT; ENG FOOT M10X60

KEY No.	Part no.	qty	Part description
20 (C)	9-01066-040-0	2	BOLT; ENG FOOT M10X40
251	9-09150-510-0 <1-09985-345-0>	8	WASHER; LK,ENG FOOT
251	0-91510-510-0	8	WASHER; LK,ENG FOOT

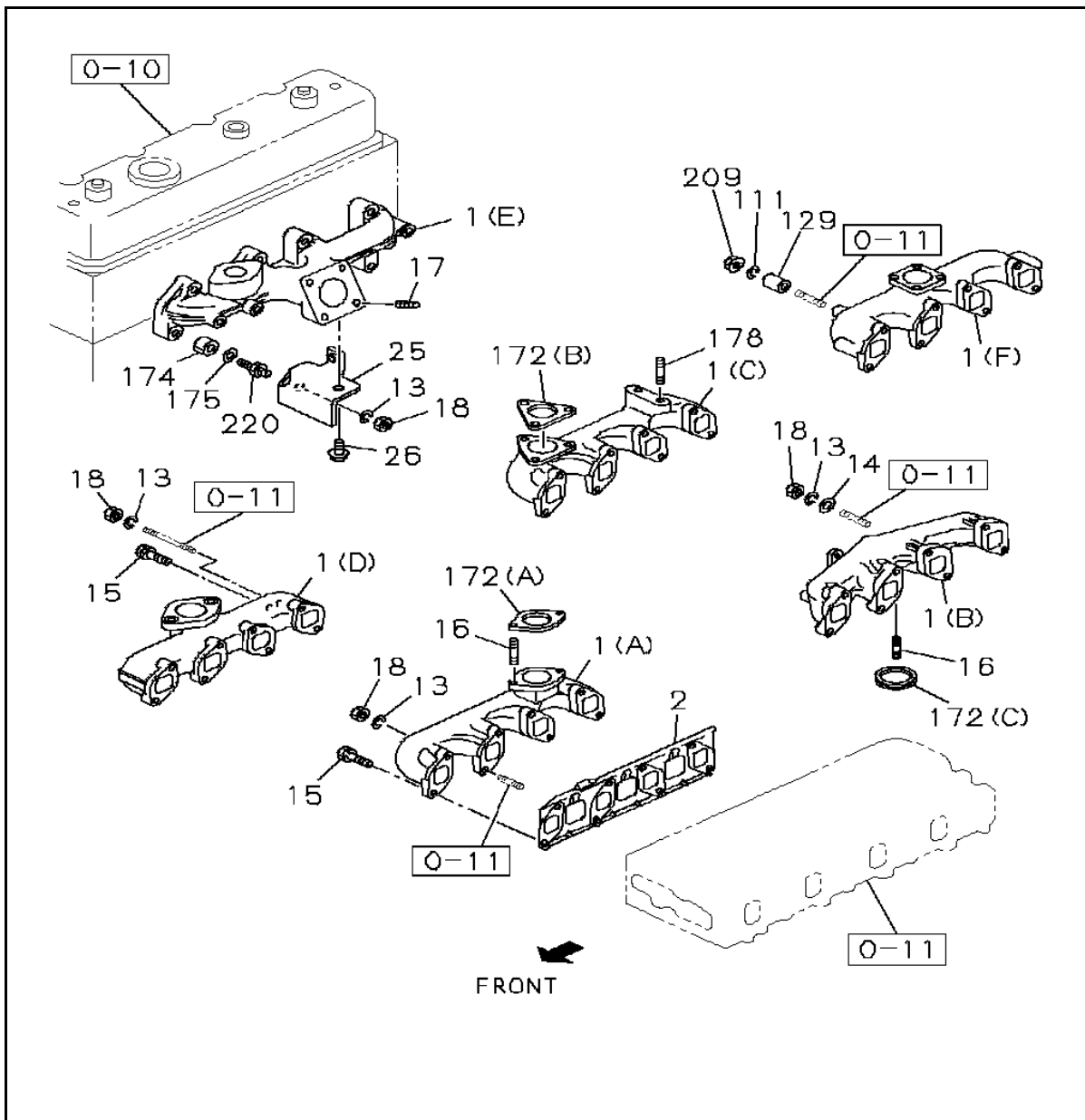
0-25 INLET MANIFOLD



KEY No.	Part no.	qty	Part description
1 (B)	8-97011-488-2	1	MANIFOLD; INL
7	8-97212-540-1	1	GASKET; INL MANIF TO HD ALSO INCLUDED IN GASKET SET(ENG & HEAD)
13	0-28050-825-0	6	BOLT; INL MANIF M8X25 FLANGE
20	0-91180-208-0	2	NUT; INL MANIF
32	8-94342-713-0	2	STUD; INL PIPE M10X28
59 (A)	0-28651-025-0	2	BOLT; INL PIPE TO MANIF M10X25 FLANGE
60	8-97022-571-1	1	GASKET; INL PIPE ALSO INCLUDED IN GASKET SET(ENGINE)
79	5-09707-004-1 <1-09704-102-0>	2	CLIP; BREATHER HOSE
138 (D)	8-97359-447-0	1	PIPE; INL
138 (E)	8-94152-317-1	1	PIPE; INL
138 (F)	8-94152-318-0	1	PIPE; INL
401	5-09707-031-1	1	CLIP; BAND

KEY No.	Part no.	qty	Part description
536	0-02709-400-0	1	HOSE; RUBBER,BREATHER L=400

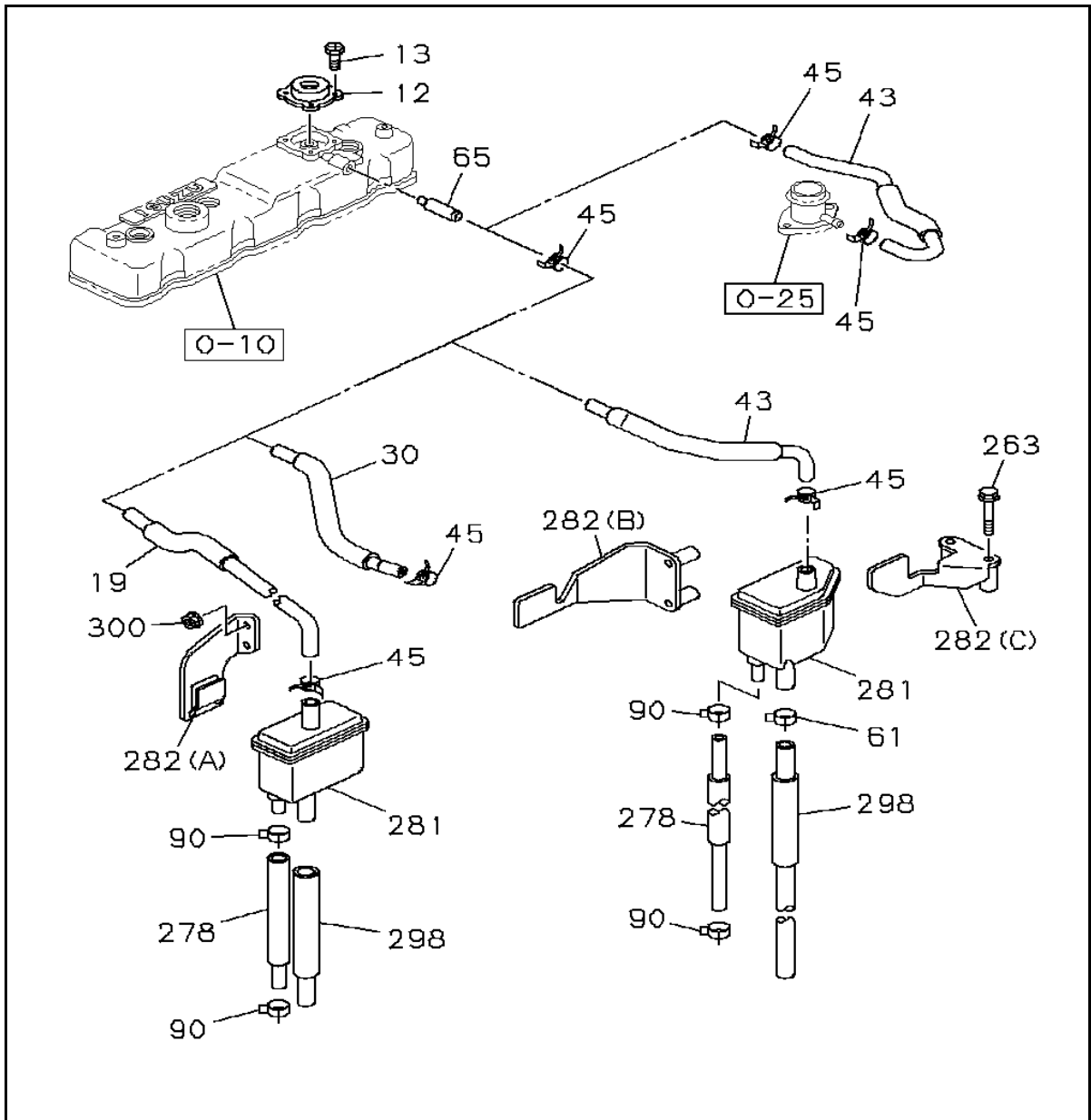
0-27 EXHAUST MANIFOLD



KEY No.	Part no.	qty	Part description
1 (C)	8-94377-263-3	1	MANIFOLD; EXHAUST
1 (D)	8-94468-231-0	1	MANIFOLD; EXHAUST
1 (E)	8-97039-473-3	1	MANIFOLD; EXHAUST
1 (F)	8-97240-443-0	1	MANIFOLD; EXHAUST
2	8-97350-317-0 <8-97350-317-2>	1	GASKET; EXH MANIF TO HD ALSO INCLUDED IN GASKET SET(ENG & HEAD)
13	0-91510-508-0	1	WASHER; LK,EXH MANIF
14	8-97257-914-0	8	WASHER; PL,EXH MANIF ID=8.5 OD=15 T=4
17	8-94257-319-0	4	STUD; MANIF TO TURBOCHARGER
18	0-91110-508-0	1	NUT; EXH MANIF
18	0-91180-208-0	8	NUT; EXH MANIF
25	8-94449-945-3	1	BRACKET; EXH MANIF
111	1-09500-010-0	1	WASHER; LK
129	1-33659-186-1	1	TUBE; DIST,EXH MANIF
172 (B)	8-94381-161-0	1	BASKET; EXH PIPE
174	8-94371-715-1	1	SPACER; BRKT TO BODY
175	0-91614-708-0	1	WASHER; PL,SPACER

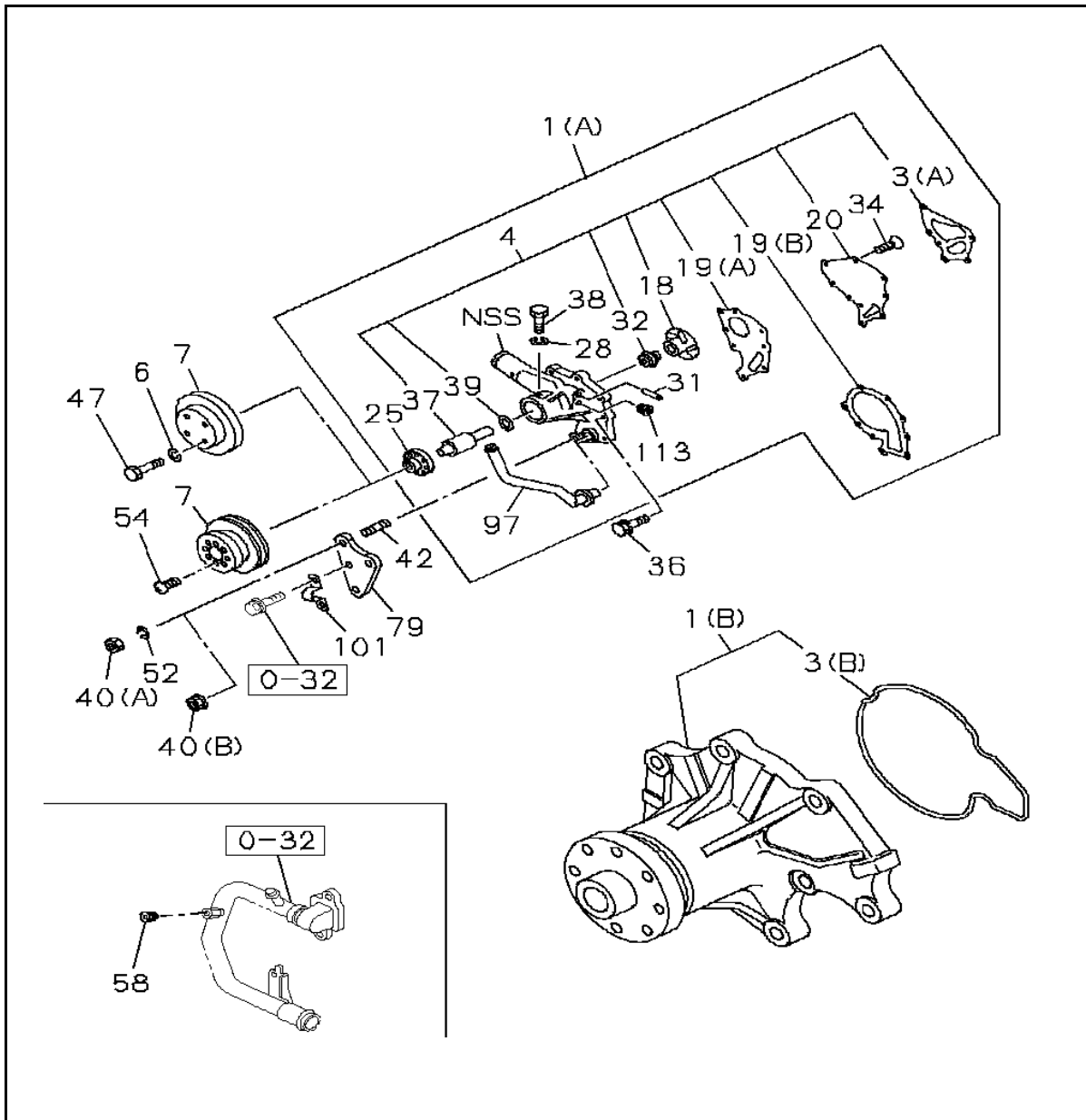
KEY No.	Part no.	qty	Part description
178	9-04731-028-0	2	STUD; EXH SILENCER M10X28 L=43
209	0-91180-208-0	1	NUT; LEAD PIPE
220	9-09630-034-1	1	STUD; BRKT,EXH MANIFOLD M8X35 L=46

0-28 VENTILATION SYSTEM



KEY No.	Part no.	qty	Part description
12	8-97119-887-0	1	VENTILATOR; AIR
13	0-36220-408-0	4	SCREW; VENTILATOR TO HD COVER M4X8 W/PL WASHER
61	8-94121-113-1 <8-98150-355-0>	1	CLIP; HOSE ID=20.4
65	8-94250-615-1	1	PIPE; BREATHER
282 (A)	8-97231-164-0	1	BRACKET; CATCH TANK
282 (C)	8-98020-537-0	1	BRACKET; CATCH TANK

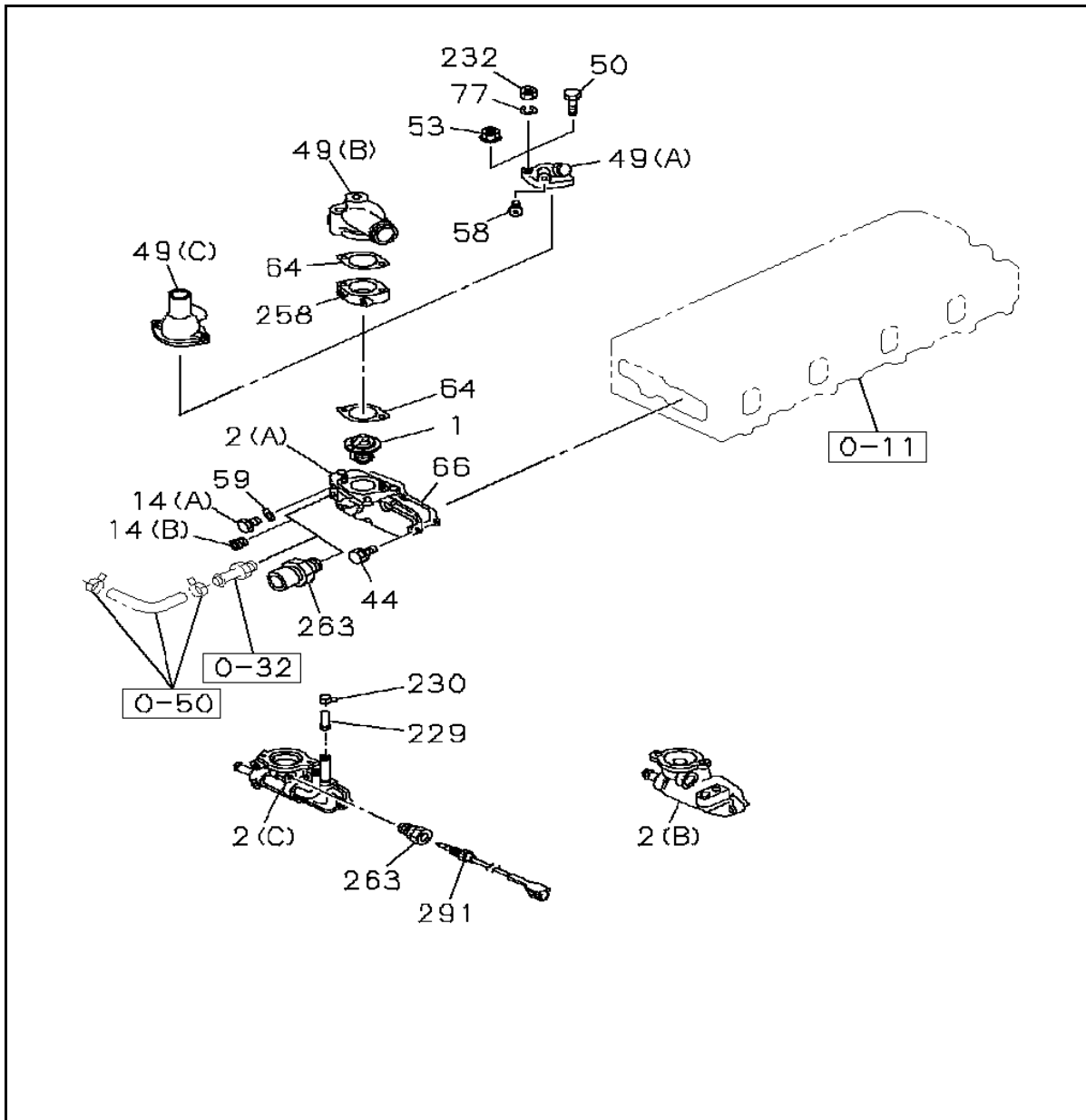
0-30 WATER PUMP AND CORROSION RESISTOR



KEY No.	Part no.	qty	Part description
1 (B)	8-97105-012-5	1	PUMP ASM; WATER,W/GASKET
3 (B)	8-94178-081-1	1	GASKET; PUMP TO C/BL ALSO INCLUDED IN GASKET SET(ENGINE)
7	8-94459-815-4	1	PULLEY; WATER PUMP 1-GROOVE OD=120
19 (A)	8-97043-187-1	1	GASKET; COVER TO BODY
36	1-09044-071-1	5	BOLT; WATER PUMP TO C/BL M8X55 FLANGE
40 (A)	8-98039-986-0	2	NUT; WATER PUMP M8
40 (B)	8-94279-050-0	3	NUT; WATER PUMP M8 W/LK WASHER
42	0-41010-822-0	2	STUD; WATER PUMP M8X22 L=34
54	0-20800-612-0	2	BOLT; PULLEY M6X12
58	5-09605-005-0	1	PLUG; HTR PT3/8
79	8-97310-688-0	1	BRACKET; WATER PUMP

KEY No.	Part no.	qty	Part description
101	8-97310-684-0	1	CLIP; WATER PIPE

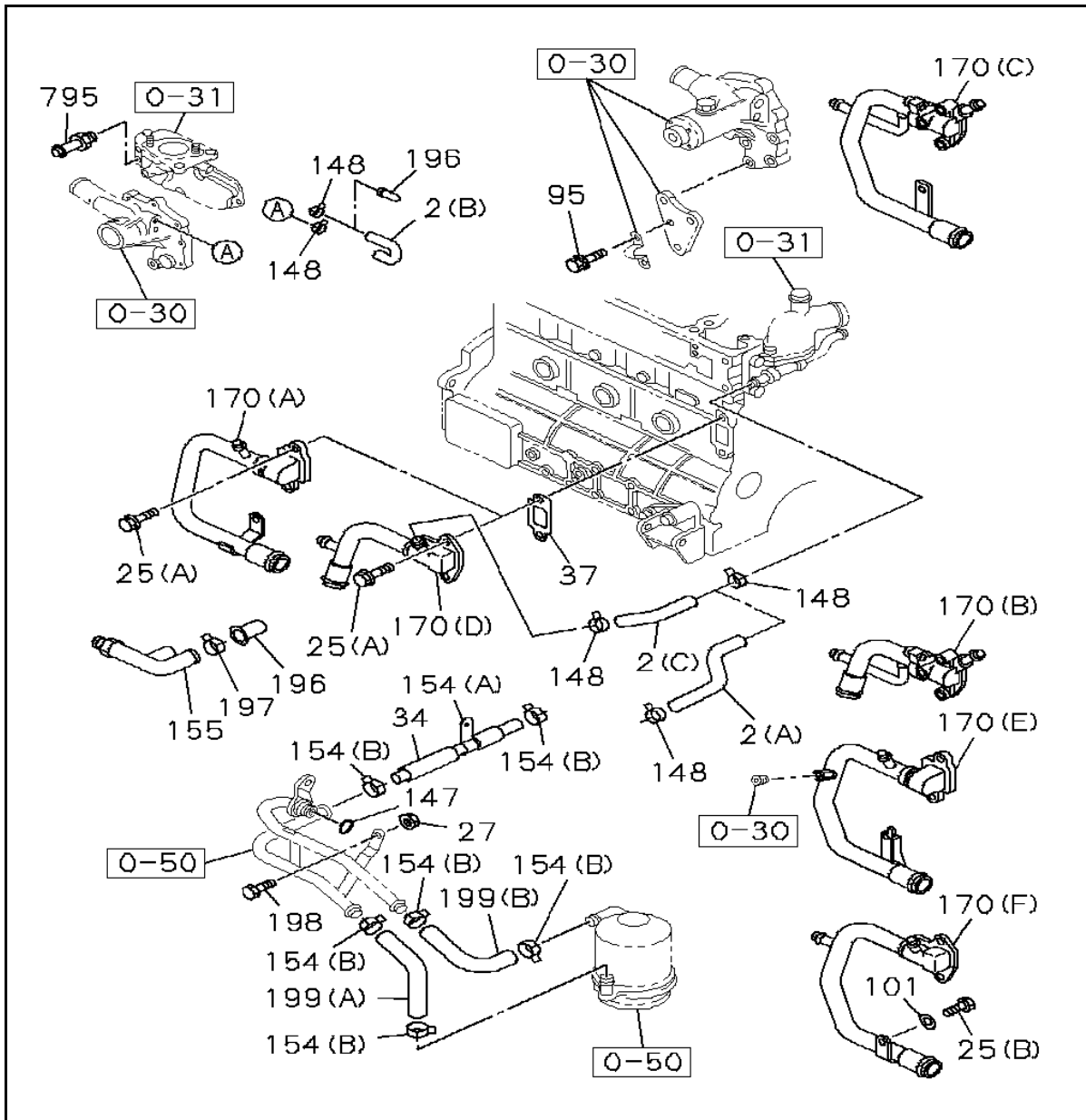
0-31 THERMOSTAT AND HOUSING



KEY No.	Part no.	qty	Part description
1	8-97211-209-0	1	THERMOSTAT 82°C
2 (B)	8-97318-653-1	1	HOUSING; THERMOSTAT
14 (A)	9-09661-005-0	1	PLUG; SW M16X8 PLUG
44	0-28650-830-0	5	BOLT; HSG TO HD M8X30 FLANGE
49 (C)	8-97217-827-0	1	PIPE; WATER OUTLET
50	0-28650-830-0	2	BOLT; OUTLET PIPE M8X30 FLANGE
58	5-09605-005-0	1	PLUG; WATER OUTLET PIPE PT3/8
59	9-09571-316-0	1	GASKET; PLUG
64	8-94365-674-2	1	GASKET; OUTLET PIPE TO HSG ALSO INCLUDED IN GASKET SET(ENGINE)
66	8-97212-537-1	1	GASKET; THERMOSTAT HSG ALSO INCLUDED IN GASKET SET(ENG & HEAD)
230	8-94125-862-1	2	CLIP; CAP,HEATER PIPE

KEY No.	Part no.	qty	Part description
258	8-97222-247-0 <8-97222-247-1>	1	PLATE; PIPE,OUTLET
263	9-13712-013-0	1	ADAPTER; THERMOMETER
291	1-83161-033-0	1	SWITCH; THERMO

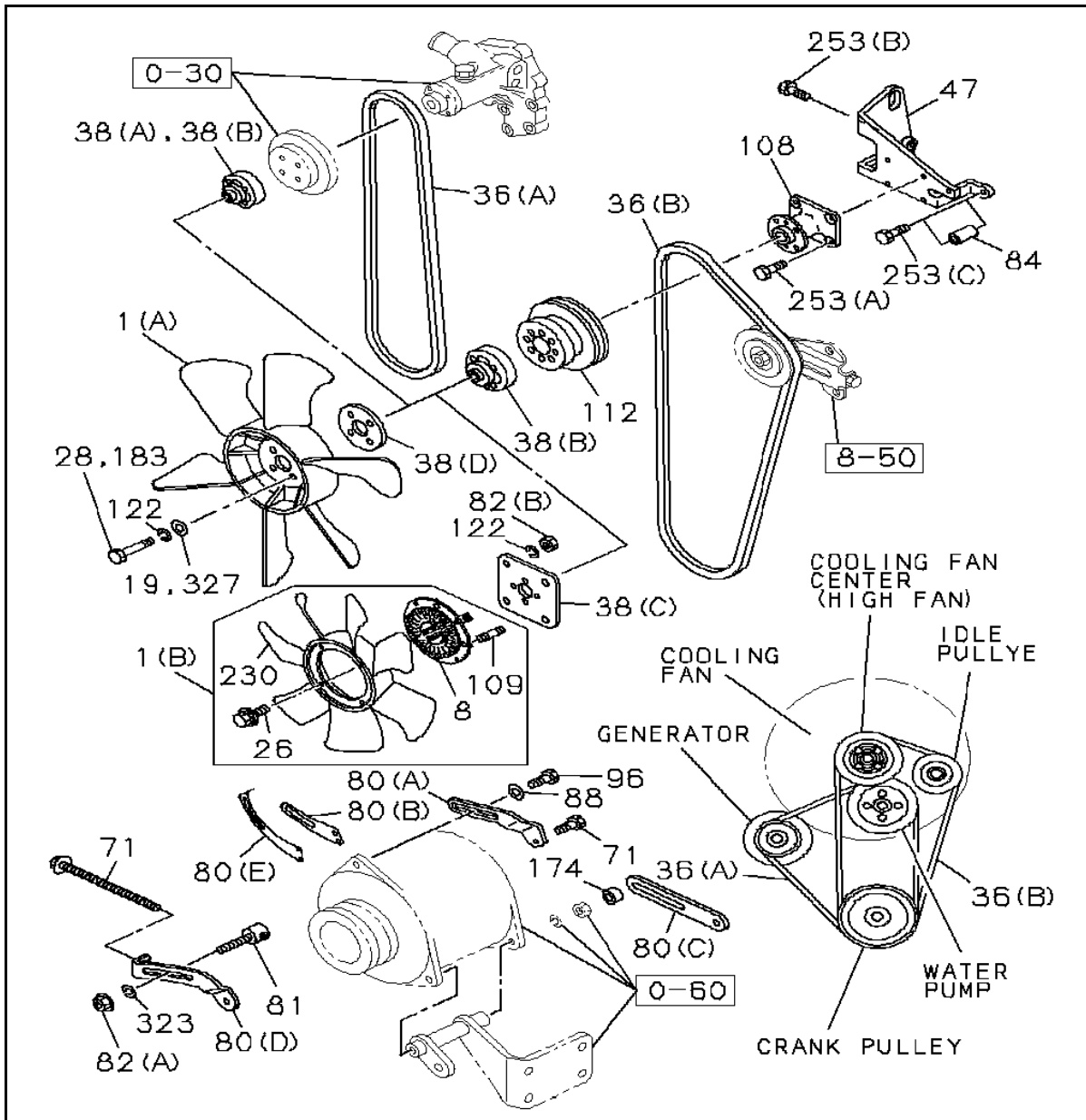
0-32 WATER PIPING; ENGINE



KEY No.	Part no.	qty	Part description
2 (C)	8-97037-464-0	1	HOSE; WATER,BY-PASS
25 (A)	0-28050-845-0	2	BOLT; WATER PIPE M8X45 FLANGE
34	8-94362-879-0	1	HOSE; RUBBER,WATER PIPE
37	8-94365-676-3	1	GASKET; WATER PIPE
95	0-50140-820-0 <0-50640-820-0>	2	BOLT; CLIP M8X20 W/LK&PL WASHER
148	8-94125-862-1	2	CLIP; BYPASS HOSE ID=20.8
154 (A)	8-94332-786-0	1	CLIP; WATER HOSE
154 (B)	8-94413-822-0 <8-98038-371-0>	6	CLIP; WATER HOSE ID=21.7
155	8-94366-848-0	1	PIPE ASM; WATER
170 (B)	8-97180-170-0	1	PIPE; WATER,INL
170 (C)	8-97213-265-0	1	PIPE; WATER,INL
170 (D)	8-97311-629-0	1	PIPE; WATER,INL
196	8-94414-688-0	1	CAP; WATER PIPE ID=16 OD=24

KEY No.	Part no.	qty	Part description
197	9-09915-642-2 <8-97359-141-0>	1	CLIP; CAP
199 (B)	8-94442-162-2	1	HOSE; RUBBER,OIL COOLER
795	9-09903-497-1	1	JOINT; PIPE HEATER

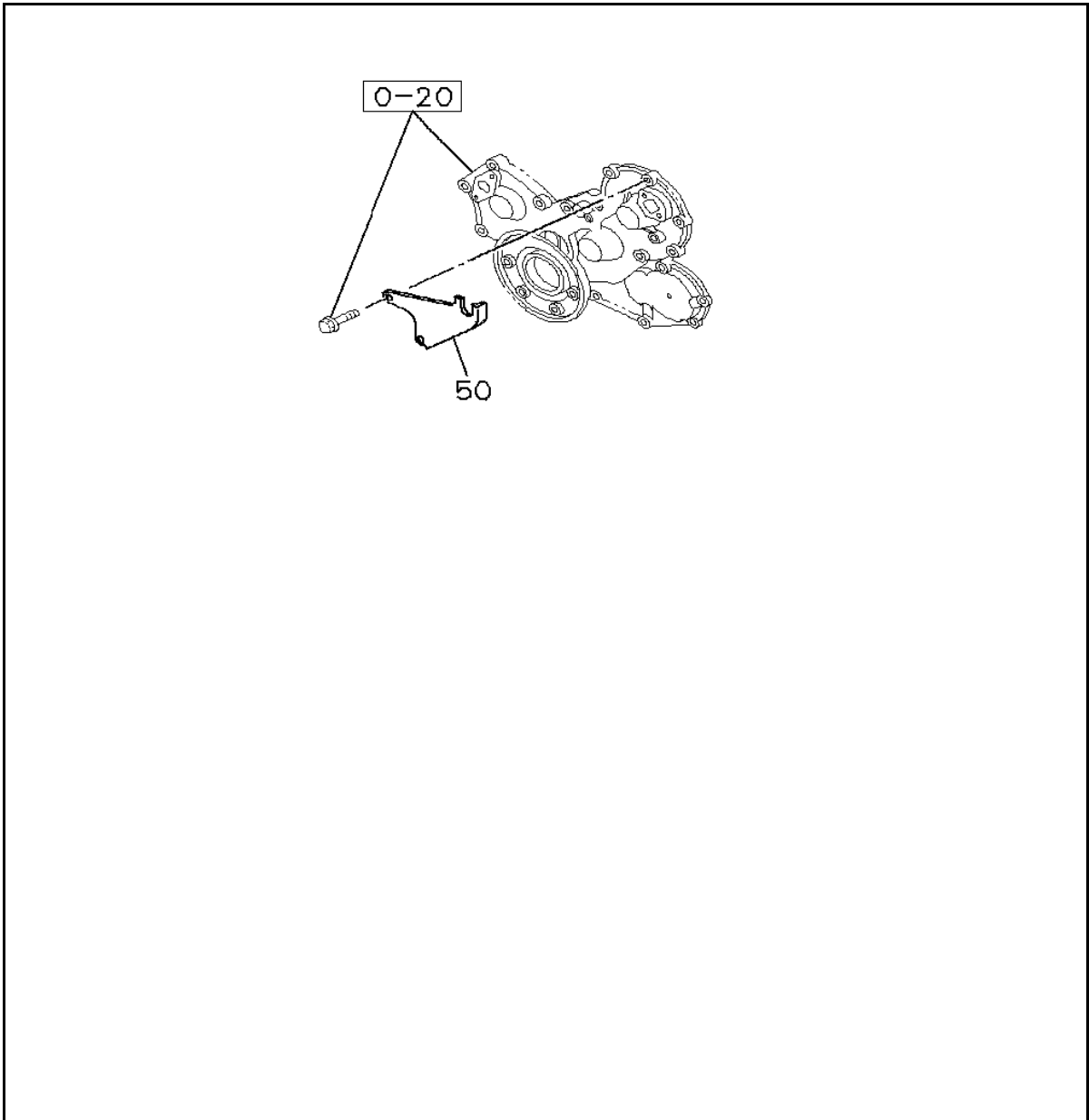
0-33 FAN AND FAN BELT



KEY No.	Part no.	qty	Part description
1 (A)	8-94483-894-1	1	FAN; COOLING D=430-6-BLOW-SP
1 (B)	8-97328-256-1	1	FAN; COOLING D=475-7-SUCT-PP
8	8-97333-388-0	1	CLUTCH; COOLING FAN
26	8-94389-764-0	4	BOLT; FAN TO CLU
28	0-20800-655-0	4	BOLT; COOLING FAN M6X55
36 (A)	8-97314-227-0	1	BELT; COOLING FAN L=1025
36 (B)	8-94440-010-0	1	BELT; COOLING FAN L=1279
38 (A)	9-13642-078-0	1	SPACER; FAN
38 (B)	8-97063-400-3	1	SPACER; FAN
38 (C)	8-97108-643-0	1	SPACER; FAN
38 (D)	5-13642-055-0	1	SPACER; FAN
71	8-97172-720-1	1	BOLT; ADJ PLATE,GEN M8X130 FLANGE
80 (C)	8-97123-734-0	1	PLATE; ADJ

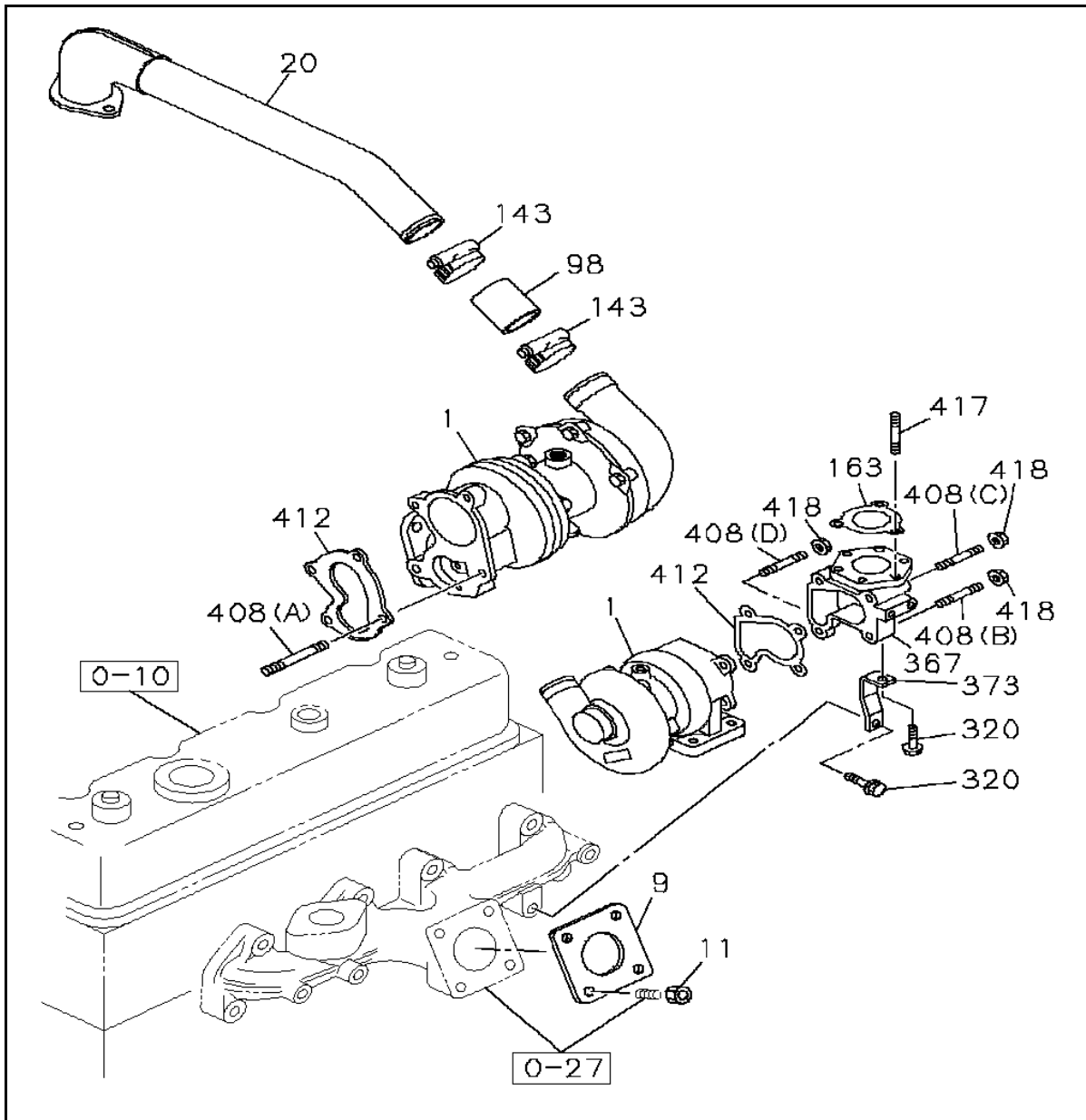
KEY No.	Part no.	qty	Part description
80 (D)	8-97184-264-0	1	PLATE; ADJ
81	8-97257-223-0	1	PIECE; SLIDING
82 (A)	0-91110-508-0	1	NUT; ADJ PLATE
84	8-97305-081-0	1	SPACER
88	0-91614-708-0	1	WASHER; PL,ADJ PLATE
96	0-28050-820-0	1	BOLT; ADJ PLATE M8X20 FLANGE
108	8-97187-224-0	1	CENTER; COOLING FAN
109	8-97049-577-1	4	STUD; FAN CLU
122	9-09150-506-0 <1-09985-179-0>	4	WASHER; LK,FAN
122	0-91510-506-0	4	WASHER; LK,FAN ID=6.1
174	5-09503-118-1	1	SPACER; ADJ PLATE
230	8-97333-387-0	1	FAN; COOLING
323	0-91510-508-0	1	WASHER; LK,SLIDING PIECE
327	9-09164-706-0	4	WASHER; PL,FAN

0-35 ENGINE CONTROL VALVE AND LEVER



KEY No.	Part no.	qty	Part description
50	8-94428-805-0	1	BRACKET; ENG CONT CABLE

0-36 TURBOCHARGER SYSTEM

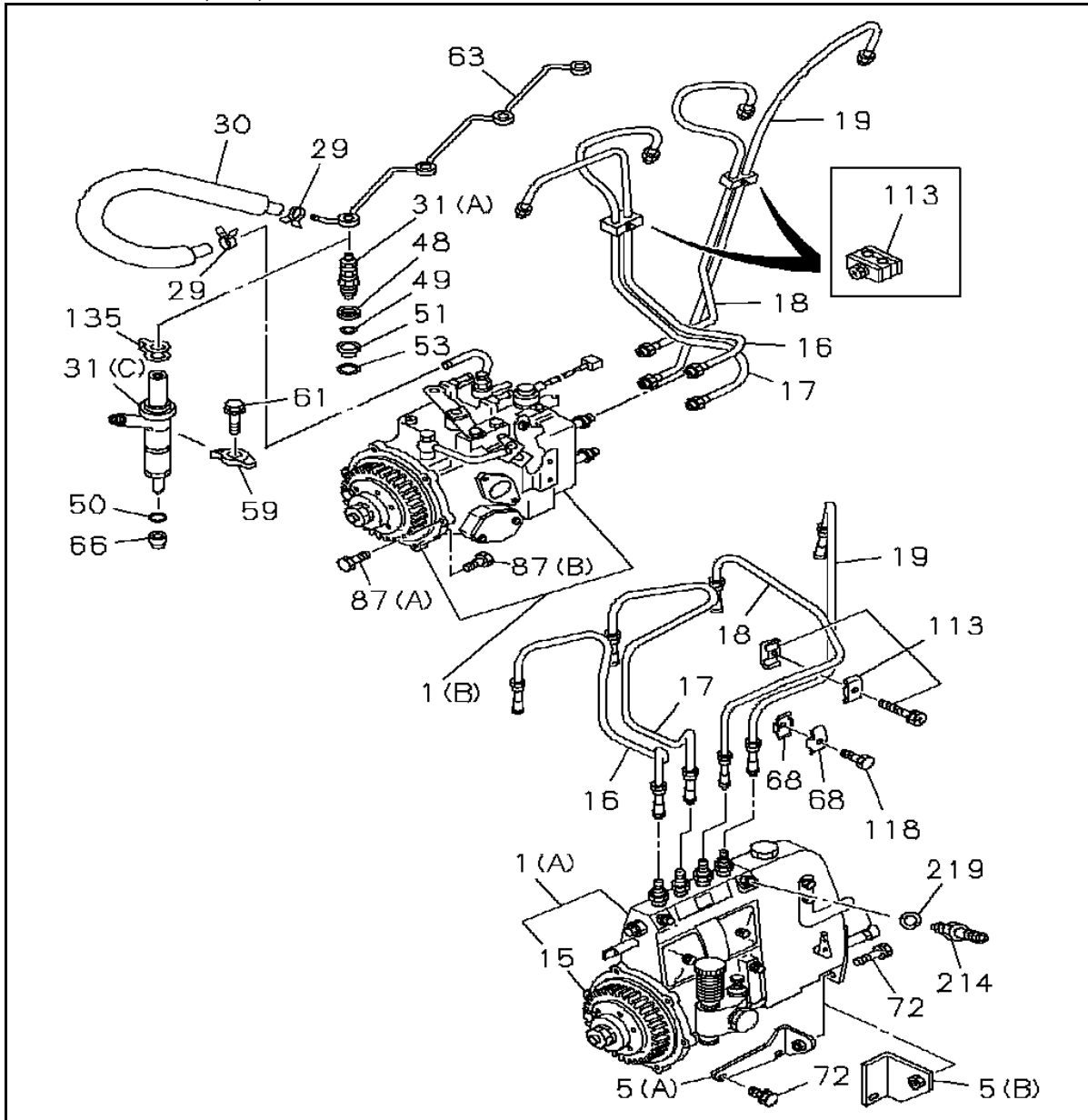


KEY No.	Part no.	qty	Part description
1	8-97318-651-2	1	TURBOCHARGER ASM
9	8-94433-605-0	1	GASKET; TURBOCHARGER TO EXH DUCT ALSO INCLUDED IN GASKET SET(ENG & HEAD)
11	8-97061-401-1	4	NUT; TURBOCHARGER
20	8-97240-434-0	1	PIPE; INL, TURBOCHARGER OUT
98	8-94343-362-2	1	HOSE; ROBBER
143	8-94126-770-0 <8-94158-976-0>	2	CLIP; HOSE, TURBOCHARGER OUTLET
143	8-94162-568-0 <8-94158-975-0>	2	CLIP; HOSE, TURBOCHARGER OUTLET
143	1-09707-207-0 <8-98133-347-0>	2	CLIP; HOSE, TURBOCHARGER OUTLET
143	8-94126-770-0 <8-94158-976-0>	2	CLIP; HOSE, TURBOCHARGER OUTLET
163	8-94369-021-0	1	GASKET; ADAPTER TO EXH PIPE
320	8-97378-076-0	2	BOLT; BRKT, TURBOCHARGER
367	8-97318-650-0	1	ADAPTER; EXH, TURBOCHARGER TO EXH PIPE
373	8-94332-760-0	1	BRACKET; ADAPTER TO EXH MANIF

KEY No.	Part no.	qty	Part description
408 (A)	8-94476-282-0	4	STUD; TURBOCHARGER TO ADAPTER M8X25 L=36
408 (B)	8-97378-064-0	1	STUD; TURBOCHARGER TO ADAPTER M8X30 L=41
408 (C)	8-97256-786-1	2	STUD; TURBOCHARGER TO ADAPTER M8X90 L=101
408 (D)	8-94109-890-0	1	STUD; TURBOCHARGER TO ADAPTER M8X50 L=61
412	8-94433-604-0	1	GASKET; TURBOCHARGER ALSO INCLUDED IN GASKET SET(ENG & HEAD)
417	8-94476-282-0	3	STUD; ADAPTER TO EXH PIPE M8X25 L=36
418	8-97061-401-1	4	NUT; ADAPTER TO EXH PIPE

0-40 FUEL INJECTION SYSTEM

(No.1)

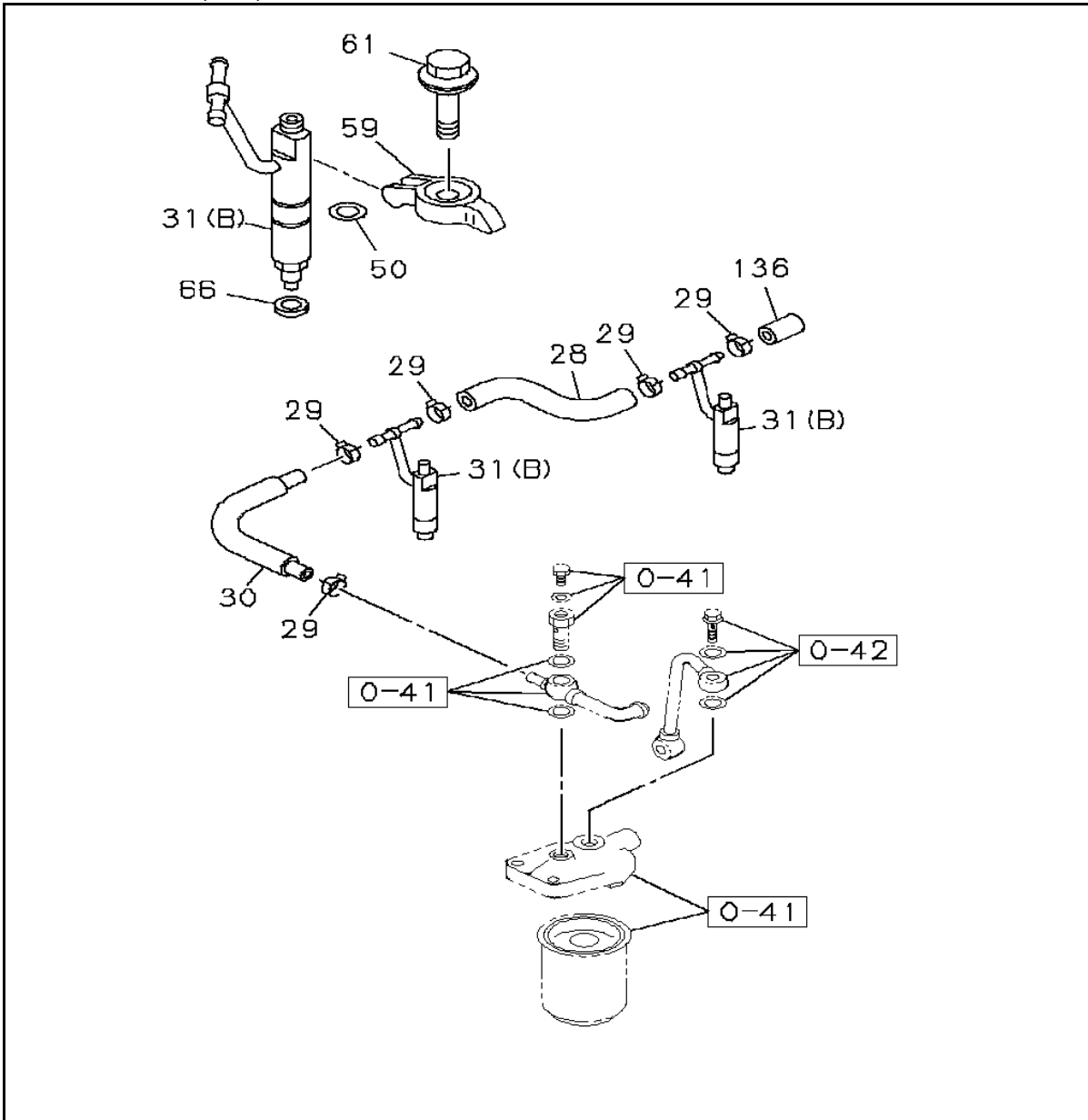


KEY No.	Part no.	qty	Part description
1 (A)	8-97358-696-0	1	PUMP ASM; INJ SEE FIG-NO 0-80 - 0-85 FOR COMPONENT.
5 (B)	8-97211-214-0	1	BRACKET; INJ PUMP
15	8-97364-052-0	1	COUPLING ASM; INJ PUMP SEE FIG-NO 0-87 FOR COMPONENT.
16	8-97017-791-1	1	PIPE; INJ NO.1
17	8-97017-792-1	1	PIPE; INJ NO.2
18	8-97017-793-1	1	PIPE; INJ NO.3
19	8-97017-794-1	1	PIPE; INJ NO.4
29	8-94238-610-0 <8-98150-358-0>	9	CLIP HOSE ID=12
30	8-94339-948-2	1	HOSE; RUBBER,FUEL LEAK L=350
49	8-94420-247-0	4	WASHER; CORRUGATED,NOZZLE ID=5.4 OD=10.6 ALSO INCLUDED IN GASKET SET(ENG & HEAD)
50	8-94326-439-0	4	GASKET; NOZZLE HOLDER ALSO INCLUDED IN GASKET SET(ENG & HEAD)

KEY No.	Part no.	qty	Part description
53	8-94257-593-0	4	WASHER; HEAT SHIELD ID=14.2 OD=17.3 ALSO INCLUDED IN GASKET SET(ENGINE)
59	8-94433-427-0	4	CLAMP; NOZZLE HOLDER
61	8-94433-717-1	4	BOLT; CLAMP NOZZLE HOLDER
66	8-94391-472-0	4	GASKET; INJ NOZZLE ALSO INCLUDED IN GASKET SET(ENG & HEAD)
68	8-94430-000-0	1	CLIP; INJ PIPE UPPER
68	8-94430-001-0	1	CLIP; INJ PIPE LOWER
72	0-50641-025-0	1	BOLT; BRKT TO INJ PUMP M10X25 W/LK&PLWASHER
72	0-28650-820-0	1	BOLT; BRKT TO INJ PUMP M8X20 FLANGE
113	9-15419-072-1	3	CLIP; INJ PIPE
118	0-50140-818-0	1	BOLT; CLIP,INJ PIPE M8X18 W/LK&PL WASHER
135	8-97375-236-0	4	GASKET; JOINT BOLT,LEAK OFF PIPE
214	8-97213-668-1	1	ORIFICE; INJ PUMP
219	9-09572-014-0	1	GASKET ID=14.2 OD=23.0

0-40 FUEL INJECTION SYSTEM

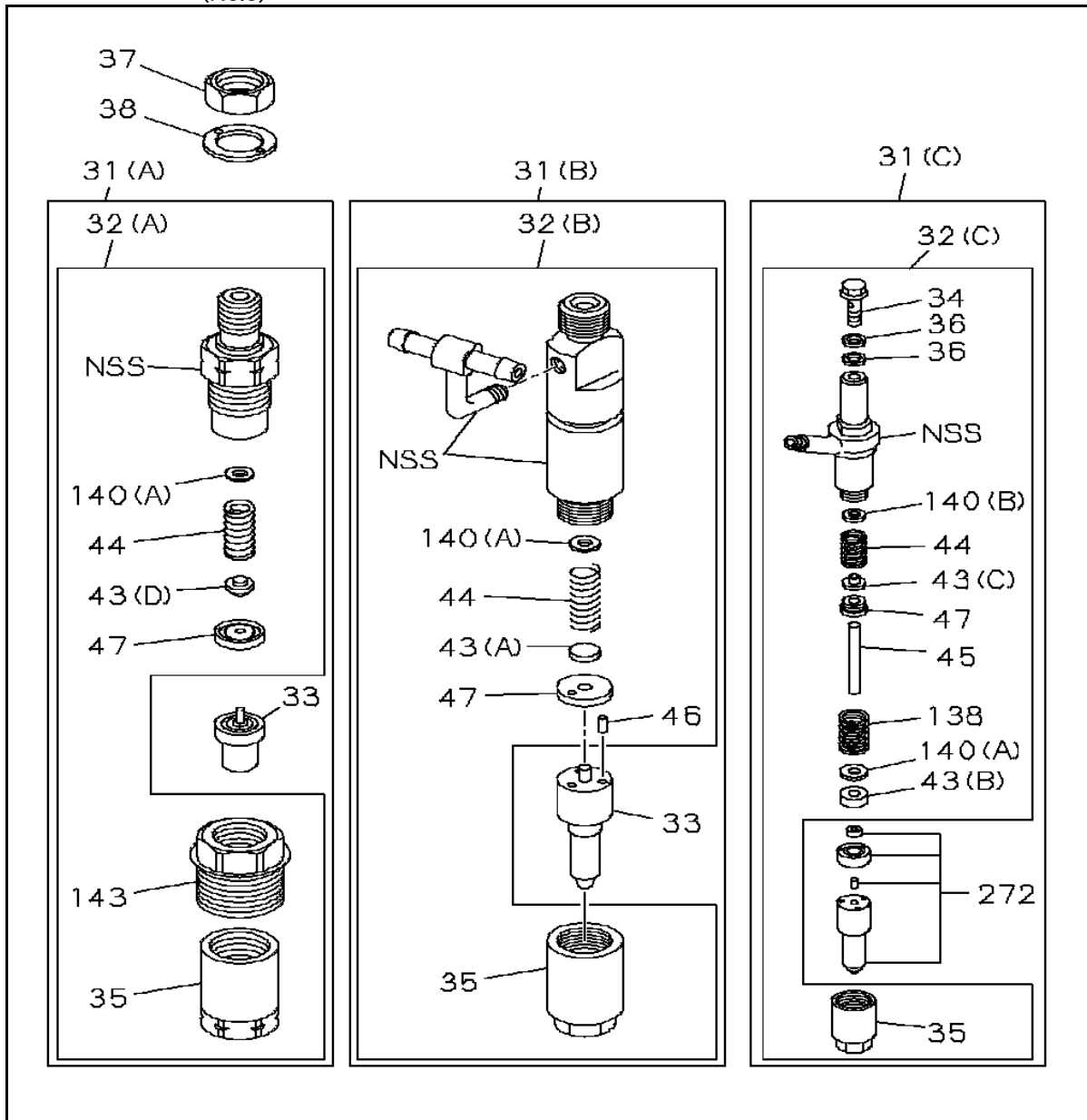
(No.2)



KEY No.	Part no.	qty	Part description
28	8-94152-353-0	3	HOSE; FUEL,NOZZLE TO NOZZLE
31 (B)	8-97358-697-0	4	NOZZLE ASM; INJ
136	8-94473-967-0	1	CAP; NOZZLE,FUEL END

0-40 FUEL INJECTION SYSTEM

(No.3)

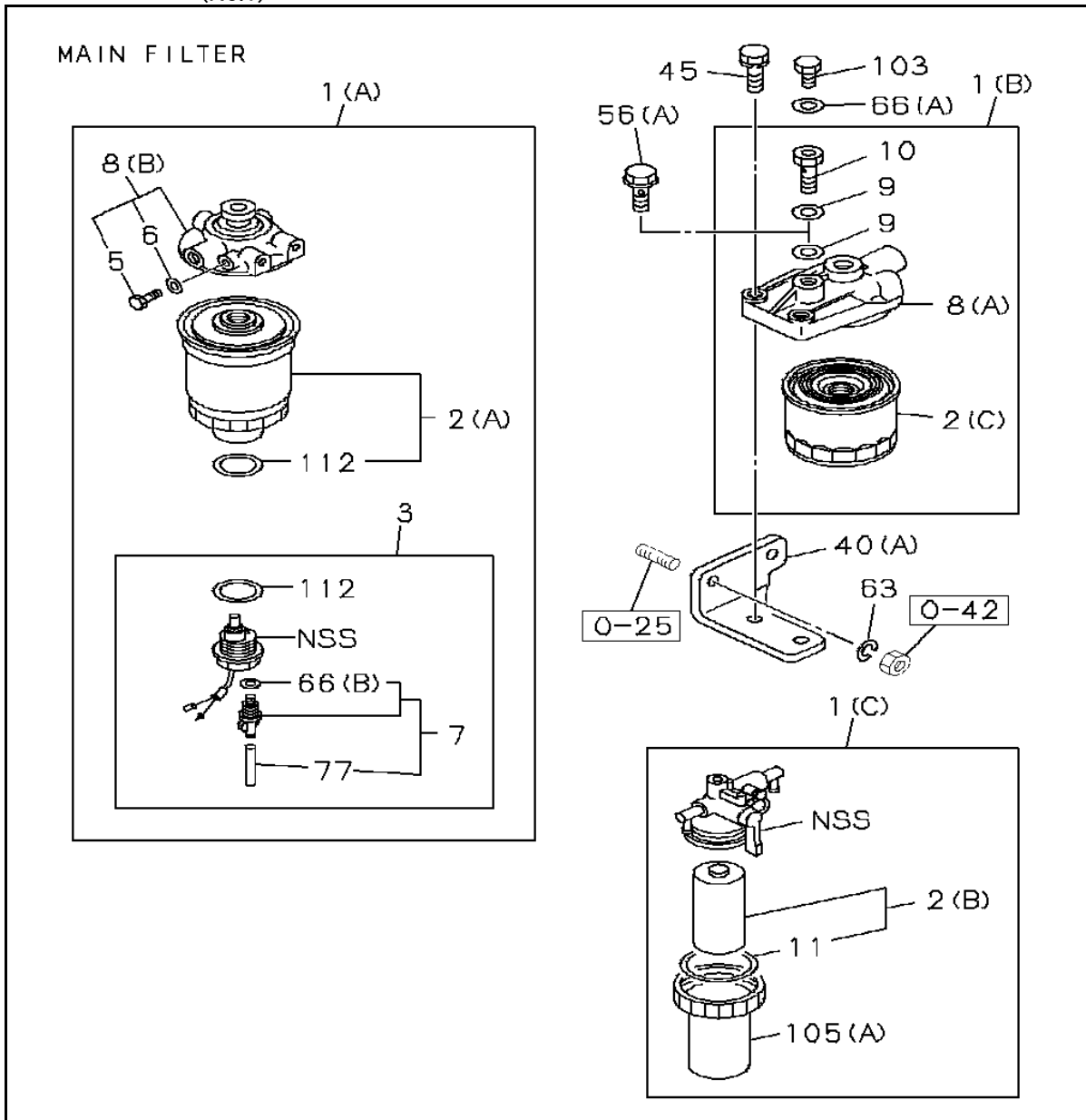


KEY No.	Part no.	qty	Part description
32 (B)	8-94454-816-0 <8-94442-225-0>	4	HOLDER ASM; NOZZLE
33	8-97363-808-0	4	NOZZLE; INJ
35	8-94174-184-0	4	NUT; NOZZLE RET,NOZZLE HOLDER
37	8-94174-344-0	4	NUT; CAP,NOZZLE HOLDER
38	8-94104-993-0	4	GASKET; CAP NUT,NOZZLE HOLDER ID=12 W/2-HOLE ALSO INCLUDED IN GASKET SET(ENGINE)
43 (A)	8-94312-723-0	4	SEAT; NOZZLE SPRING,NOZZLE HOLDER
43 (D)	8-94128-963-0 <8-94128-963-1>	4	SEAT; NOZZLE SPRING,NOZZLE HOLDER
44	8-94174-141-0	4	SPRING; NOZZLE,NOZZLE HOLDER
46	8-94174-139-0	8	PIN; NOZZLE SET,NOZZLE HOLDER
47	8-94174-183-0	4	SPACER; NOZZLE SPRING,NOZZLE HOLDER
140 (A)	8-97116-029-0	1	SHIM; NOZZLE SPRING,NOZZLE HOLDER T=0.10
140 (A)	8-97116-032-0	1	SHIM; NOZZLE SPRING,NOZZLE HOLDER T=0.20

KEY No.	Part no.	qty	Part description
140 (A)	8-97116-033-0	1	SHIM; NOZZLE SPRING,NOZZLE HOLDER T=0.30
140 (A)	8-97116-034-0	1	SHIM; NOZZLE SPRING,NOZZLE HOLDER T=0.40
140 (A)	8-97116-035-0	1	SHIM; NOZZLE SPRING,NOZZLE HOLDER T=0.50
140 (A)	8-97116-036-0	1	SHIM; NOZZLE SPRING,NOZZLE HOLDER T=0.51
140 (A)	8-97116-037-0	1	SHIM; NOZZLE SPRING,NOZZLE HOLDER T=0.52
140 (A)	8-97116-038-0	1	SHIM; NOZZLE SPRING,NOZZLE HOLDER T=0.53
140 (A)	8-97116-039-0	1	SHIM; NOZZLE SPRING,NOZZLE HOLDER T=0.54
140 (A)	8-97116-040-0	1	SHIM; NOZZLE SPRING,NOZZLE HOLDER T=0.55
140 (A)	8-97116-041-0	1	SHIM; NOZZLE SPRING,NOZZLE HOLDER T=0.56
140 (A)	8-97116-042-0	1	SHIM; NOZZLE SPRING,NOZZLE HOLDER T=0.57
140 (A)	8-97116-043-0	1	SHIM; NOZZLE SPRING,NOZZLE HOLDER T=0.58
140 (A)	8-97116-044-0	1	SHIM; NOZZLE SPRING,NOZZLE HOLDER T=0.59
143	8-94424-217-0	4	SCREW; SET,NOZZLE SPRING,NOZZLE HOLDER

0-41 FUEL FILTER AND BRACKET

(No.1)

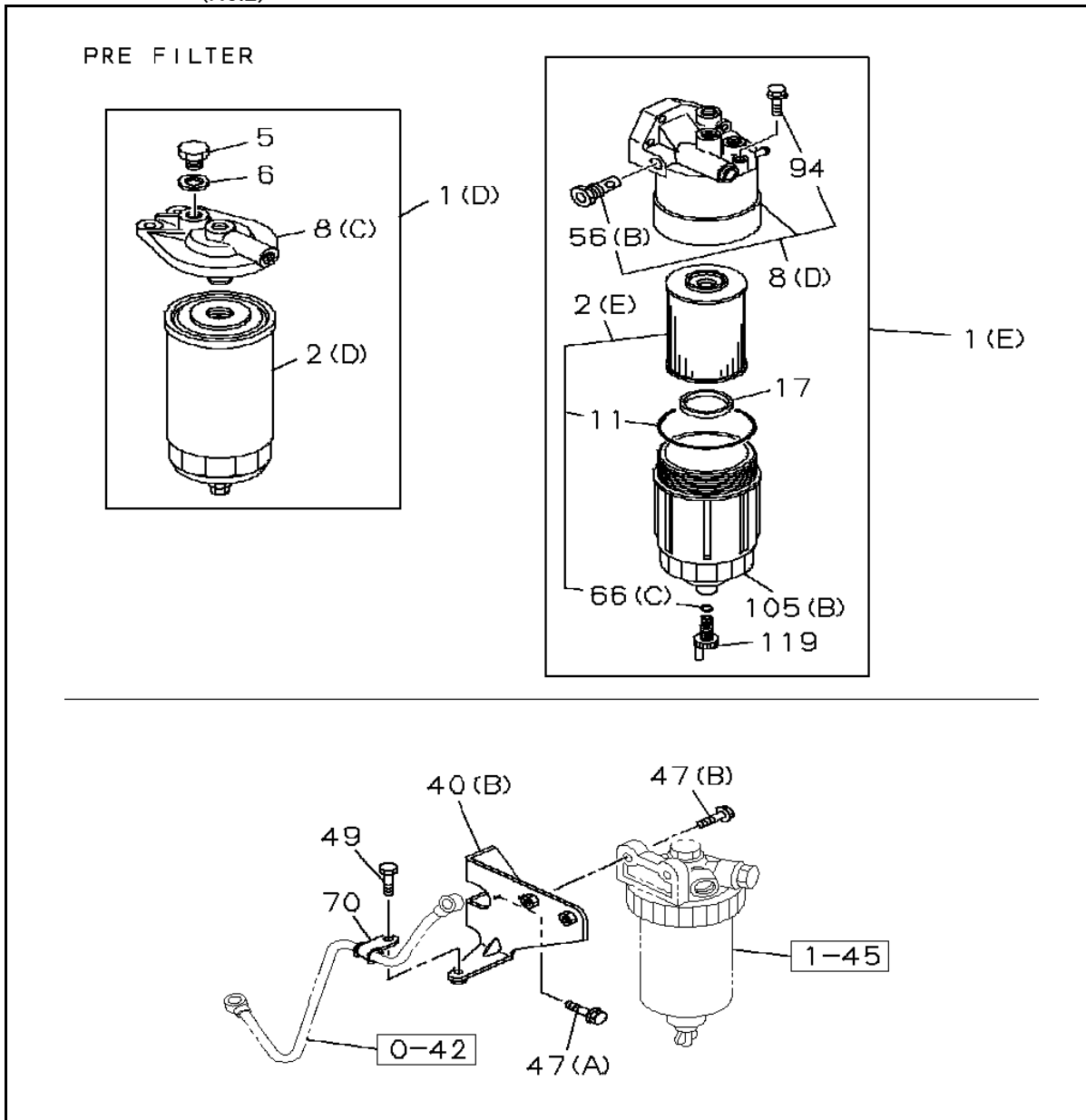


KEY No.	Part no.	qty	Part description
1 (A)	8-94367-292-3	1	FILTER ASM; FUEL MAIN FILTER
1 (B)	1-13200-890-3 <1-13200-890-4>	1	FILTER ASM; FUEL MAIN FILTER
1 (B)	1-13200-701-3 <1-13200-701-4>	1	FILTER ASM; FUEL MAIN FILTER
1 (C)	8-97231-535-0	1	FILTER ASM; FUEL MAIN FILTER
2 (A)	8-94369-299-3 <8-98037-480-0>	1	ELEMENT KIT; FUEL FILTER MAIN FILTER
2 (A)	1-13240-079-1 <8-98036-654-0>	1	ELEMENT KIT; FUEL FILTER MAIN FILTER
2 (B)	8-97240-025-0	1	ELEMENT KIT; FUEL FILTER MAIN FILTER
3	8-94367-294-0	1	SENSOR ASM; FUEL FILTER
5	8-94132-674-0	1	BOLT; FUEL FILTER
6	8-94132-675-0	1	GASKET; FUEL FILTER
7	8-94367-957-0	1	PLUG; SENSOR,FUEL FILTER
8 (A)	1-13212-159-2	1	COVER; FUEL FILTER

KEY No.	Part no.	qty	Part description
8 (B)	8-94367-293-4	1	COVER; FUEL FILTER
9	1-09630-085-0	2	GASKET; EYE JOINT ID=14.2 OD=19.2
10	1-13260-047-0	1	VALVE; OVERFLOW,FUEL FILTER
66 (B)	8-94167-886-0	1	GASKET; PLUG,FUEL FILTER ID=8.6
77	8-94367-956-0	1	HOSE; FUEL FILTER
105 (A)	8-97240-022-0	1	CASE; FUEL FILTER
112	5-09563-334-0 <9-09563-334-0>	1	GASKET; SENSOR TO CASE

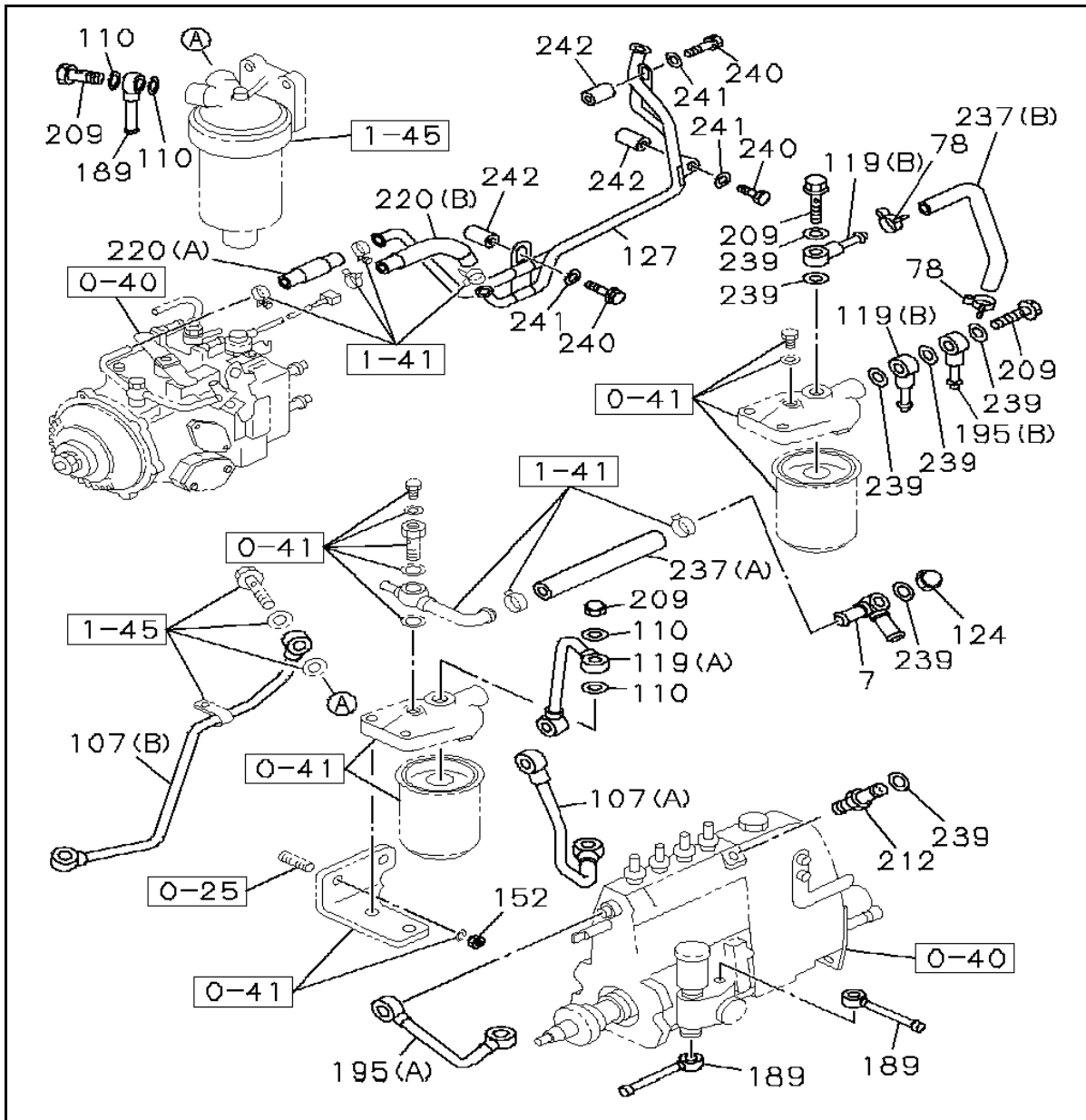
0-41 FUEL FILTER AND BRACKET

(No.2)



KEY No.	Part no.	qty	Part description
40 (B)	8-97327-909-0	1	BRACKET; FUEL FILTER
70	8-97328-255-0	1	CLIP; FUEL PIPE

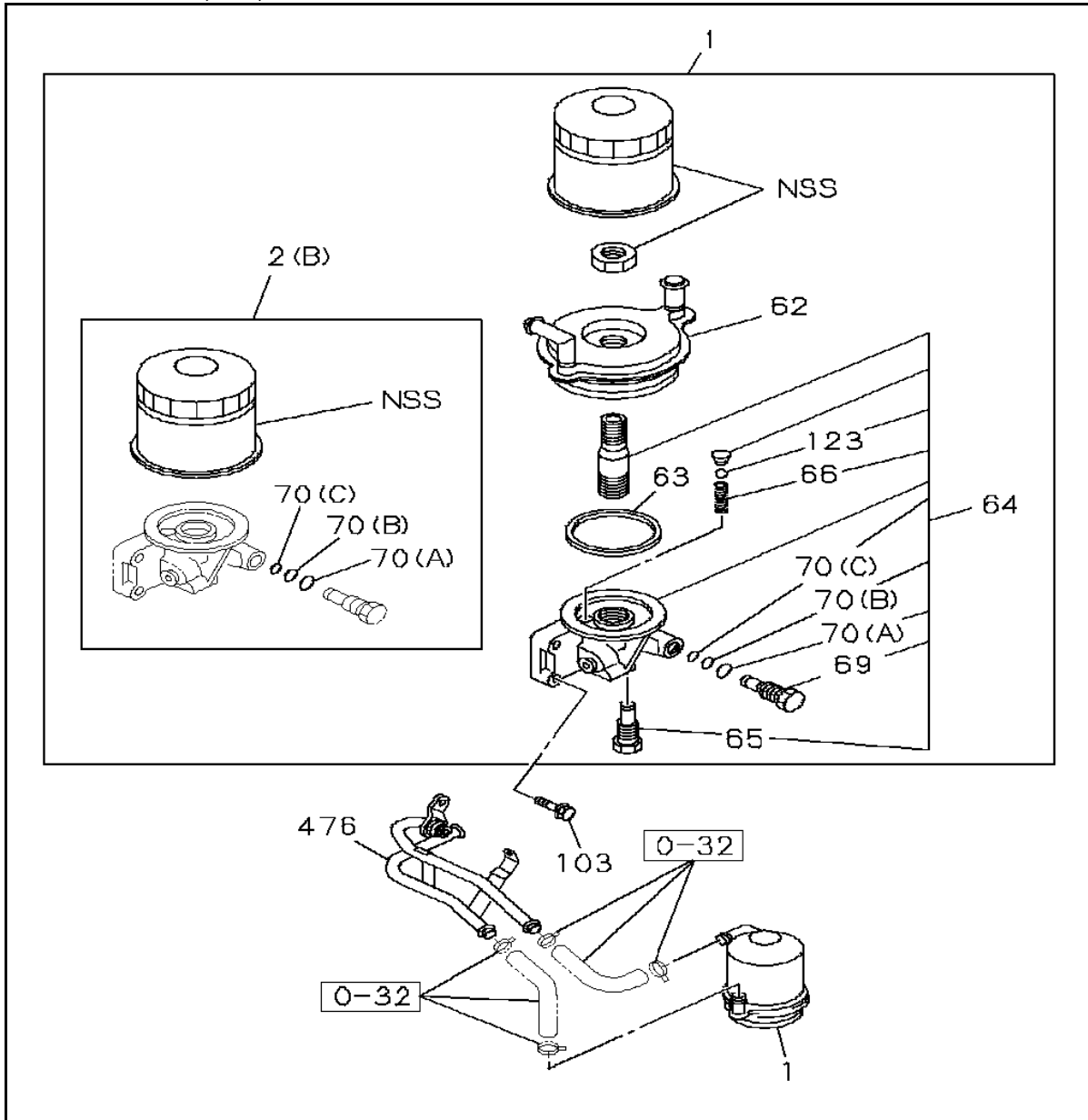
0-42 FUEL PUMP AND PIPE



KEY No.	Part no.	qty	Part description
7	8-97318-647-0	1	PIPE ASM; FUEL OVERFLOW
78	5-09700-356-0 <8-97015-784-0>	2	CLIP; RUBBER HOSE
107 (B)	8-97327-910-0	1	PIPE; FUEL,FEED PUMP TO FUEL FILTER
119 (B)	5-15411-225-0	2	PIPE; FUEL,FUEL FILTER TO INJ PUMP OD=8 L=48
124	1-09468-002-1	1	NUT; CAP,FUEL PIPE
189	5-15411-223-1	1	PIPE ASM; FUEL,FEED PUMP OD=10 L=60
189	5-15411-225-0	2	PIPE ASM; FUEL,FEED PUMP OD=8 L=48
195 (A)	8-97046-795-0	1	PIPE ASM; FUEL
195 (B)	5-15411-223-1	2	PIPE ASM; FUEL OD=10 L=60
237 (B)	8-97350-444-0	1	HOSE; RUBBER,FUEL FILTER TO PUMP
239	9-09572-014-0	6	GASKET ID=14.2 OD=23.0

0-50 OIL COOLER AND OIL FILTER

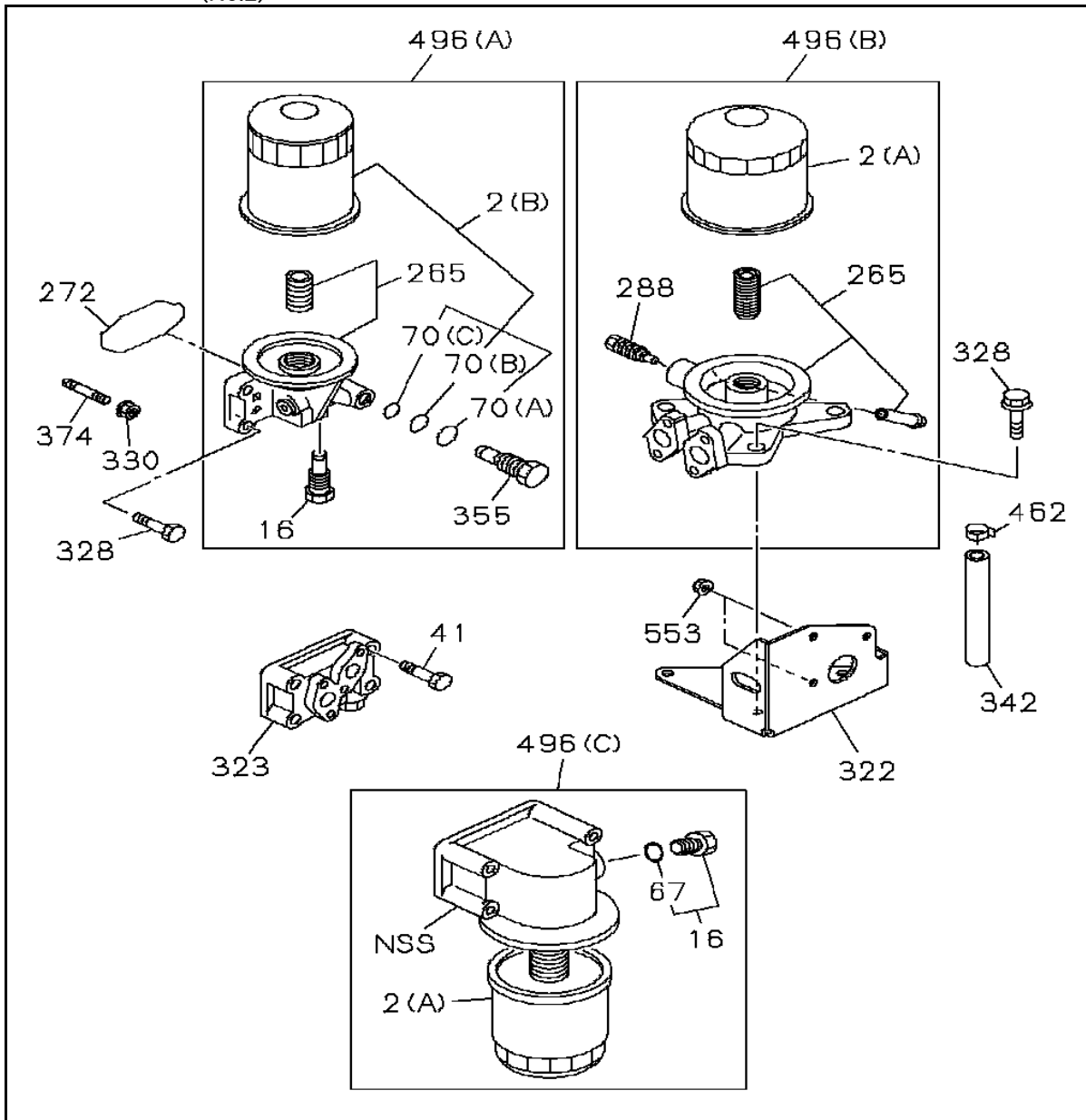
(No.1)



KEY No.	Part no.	qty	Part description
1	8-94327-272-1	1	FILTER & COOLER ASM; OIL
2 (B)	8-97049-708-1	1	ELEMENT; OIL FILTER
62	8-94401-680-0	1	COOLER ASM; OIL
63	8-94383-720-0	1	GASKET; COOLER TO BRKT
64	8-97081-756-0	1	BODY; OIL FILTER & OIL COOLER
65	8-94167-882-0	1	VALVE; OIL COOLER
66	8-94401-679-0	1	SPRING; VLV
69	8-94167-883-0	1	PLUG; BODY,OIL FILTER
70 (A)	8-94167-884-0	1	GASKET; PLUG,OIL FILTER ID=13.6
70 (B)	8-94167-885-0	1	GASKET; PLUG,OIL FILTER ID=8.8
70 (C)	8-94167-886-0	1	GASKET; PLUG,OIL FILTER ID=8.6
103	0-28650-830-0	4	BOLT; OIL COOLER M8X30 FLANGE
123	9-00097-011-0	1	BALL; STEEL,ADAPTER 3/8" BALL
476	8-97115-640-1	1	PIPE; WATER,OIL COOLER TO WATER PUMP

0-50 OIL COOLER AND OIL FILTER

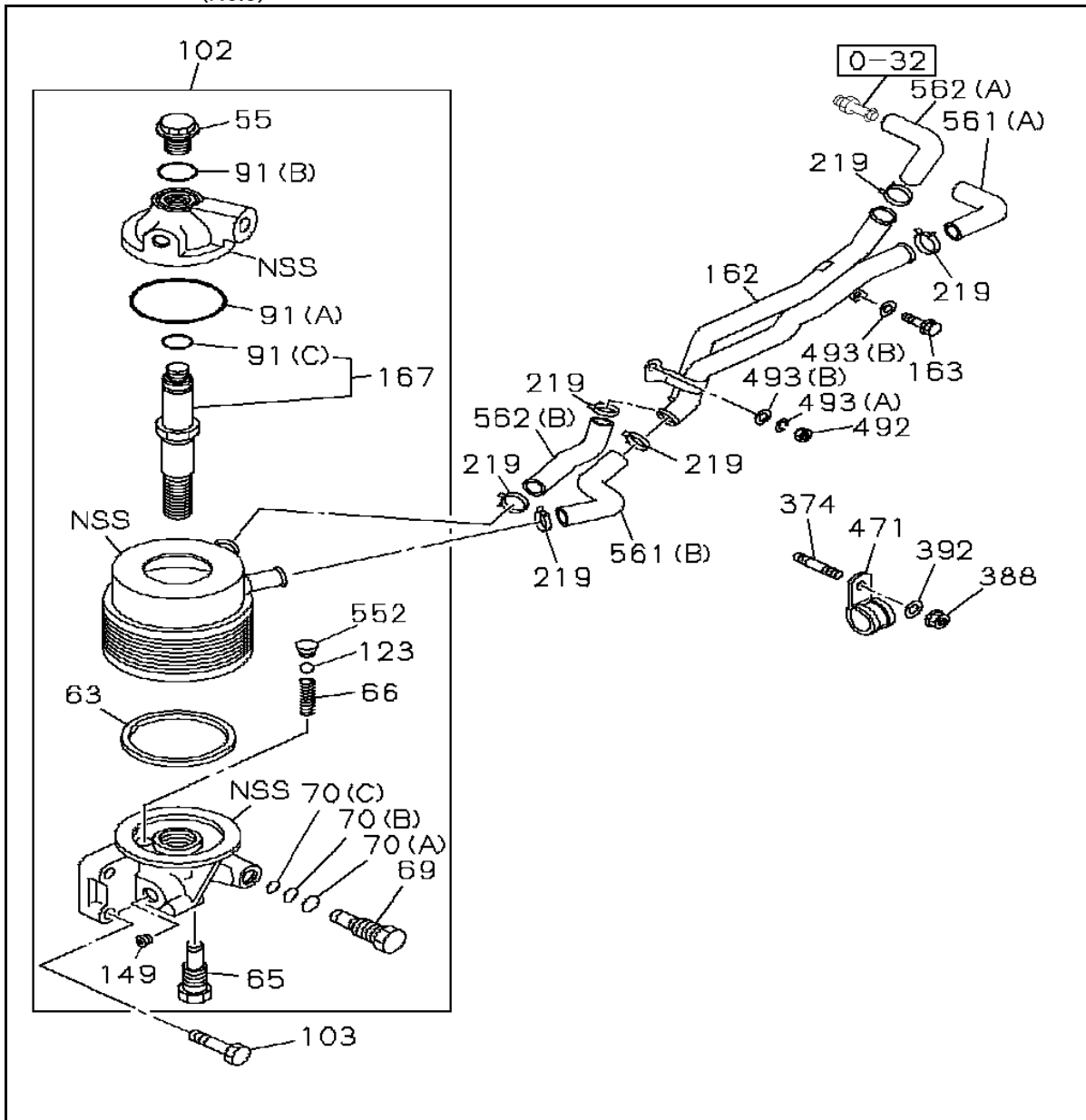
(No.2)



KEY No.	Part no.	qty	Part description
2 (A)	8-94430-983-1 <8-97049-708-1>	1	ELEMENT; OIL FILTER
67	9-09920-975-0	1	GASKET; VLV
272	8-98087-965-0	1	GASKET; OIL FILTER TO C/BL ALSO INCLUDED IN GASKET SET(ENGINE)
288	1-13219-341-0	1	PLUG; OIL DRAIN
322	8-97215-388-0	1	BRACKET; OIL FILTER
323	8-97215-389-0	1	COVER; OIL PORT
330	0-91150-108-0 <0-91180-208-0>	2	NUT; OIL FILTER
342	9-09914-701-0	1	HOSE; OIL DRAIN L=900 S.B. L=10000
374	9-04110-814-0 <0-41010-814-0>	1	STUD; OIL FILTER M8X14 L=26
462	5-09707-004-1 <1-09704-102-0>	1	CLIP; HOSE,DRAIN
496 (B)	8-97219-315-0	1	FILTER ASM; OIL
496 (C)	8-97183-733-0	1	FILTER ASM; OIL

0-50 OIL COOLER AND OIL FILTER

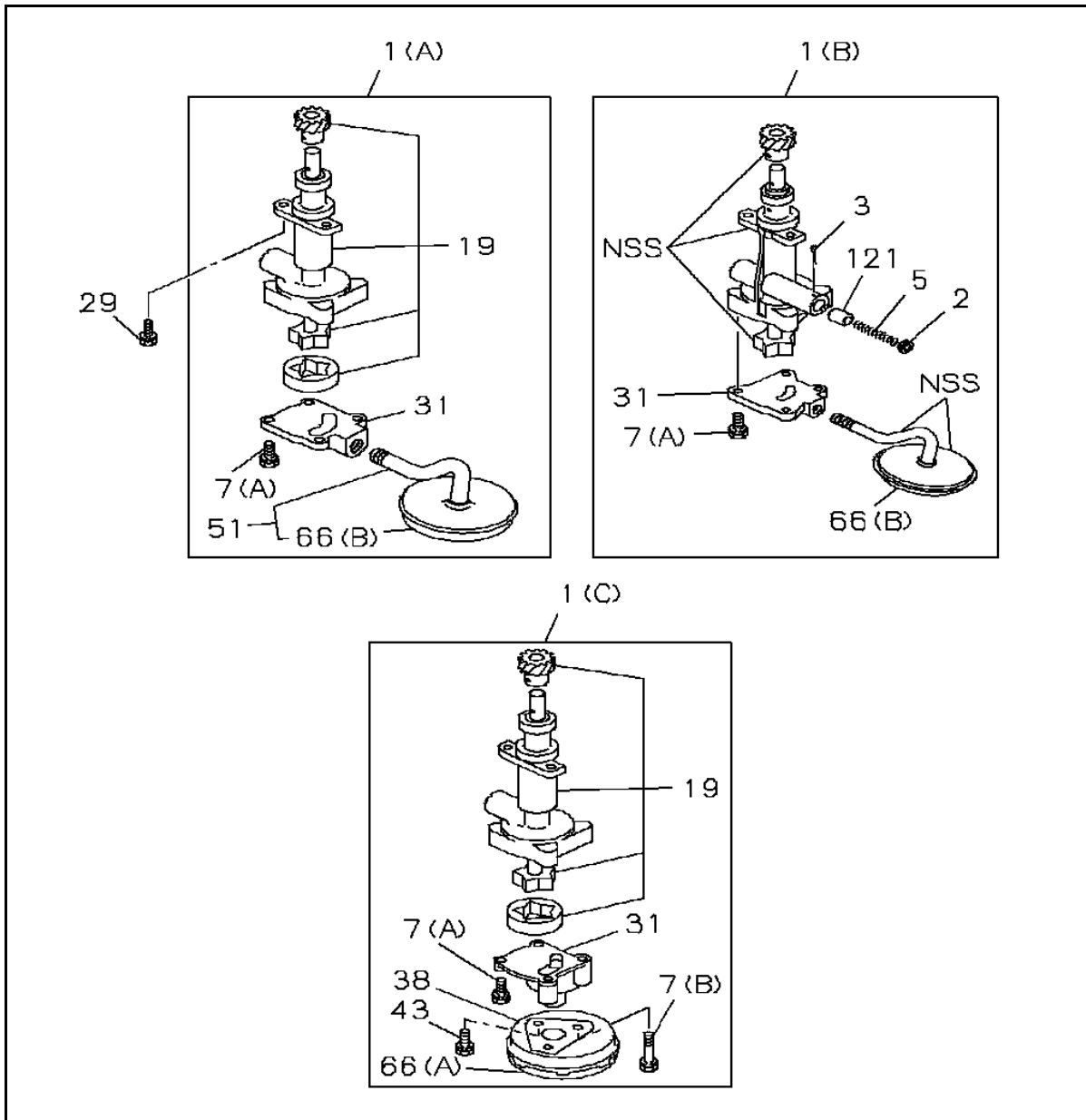
(No.3)



KEY No.	Part no.	qty	Part description
91 (A)	8-94176-651-0	1	GASKET; OIL COOLER ALSO INCLUDED IN GASKET SET(ENGINE)
91 (B)	8-97116-533-0	1	GASKET; OIL COOLER ALSO INCLUDED IN GASKET SET(ENGINE)
91 (C)	9-09565-220-0	1	GASKET; OIL COOLER ALSO INCLUDED IN GASKET SET(ENGINE)
149	1-13219-240-0	1	PLUG PT3/8
162	8-97238-996-0	1	PIPE; WATER,OIL COOLER
163	0-50040-814-0 <8-98038-400-0>	1	BOLT; WATER PIPE M8X14 W/LK WASHER
163	0-28050-816-0	1	BOLT; WATER PIPE M8X16 FLANGE
219	8-94125-862-1	8	CLIP; HOSE,OIL COOLER ID=20.8
388	0-91110-508-0	1	NUT; CLIP
392	0-91510-508-0	1	WASHER; LK
471	1-09700-809-0	1	CLIP HOSE ID=24 L=27

KEY No.	Part no.	qty	Part description
552	8-97313-293-0	1	SEAT
561 (A)	8-97238-992-1	1	HOSE; FEED,OIL COOLER
561 (B)	8-97240-592-0	1	HOSE; FEED,OIL COOLER
562 (A)	8-97238-994-1	1	HOSE; RETURN,OIL COOLER
562 (B)	8-97240-593-0	1	HOSE; RETURN,OIL COOLER

0-51 OIL PUMP AND OIL STRAINER

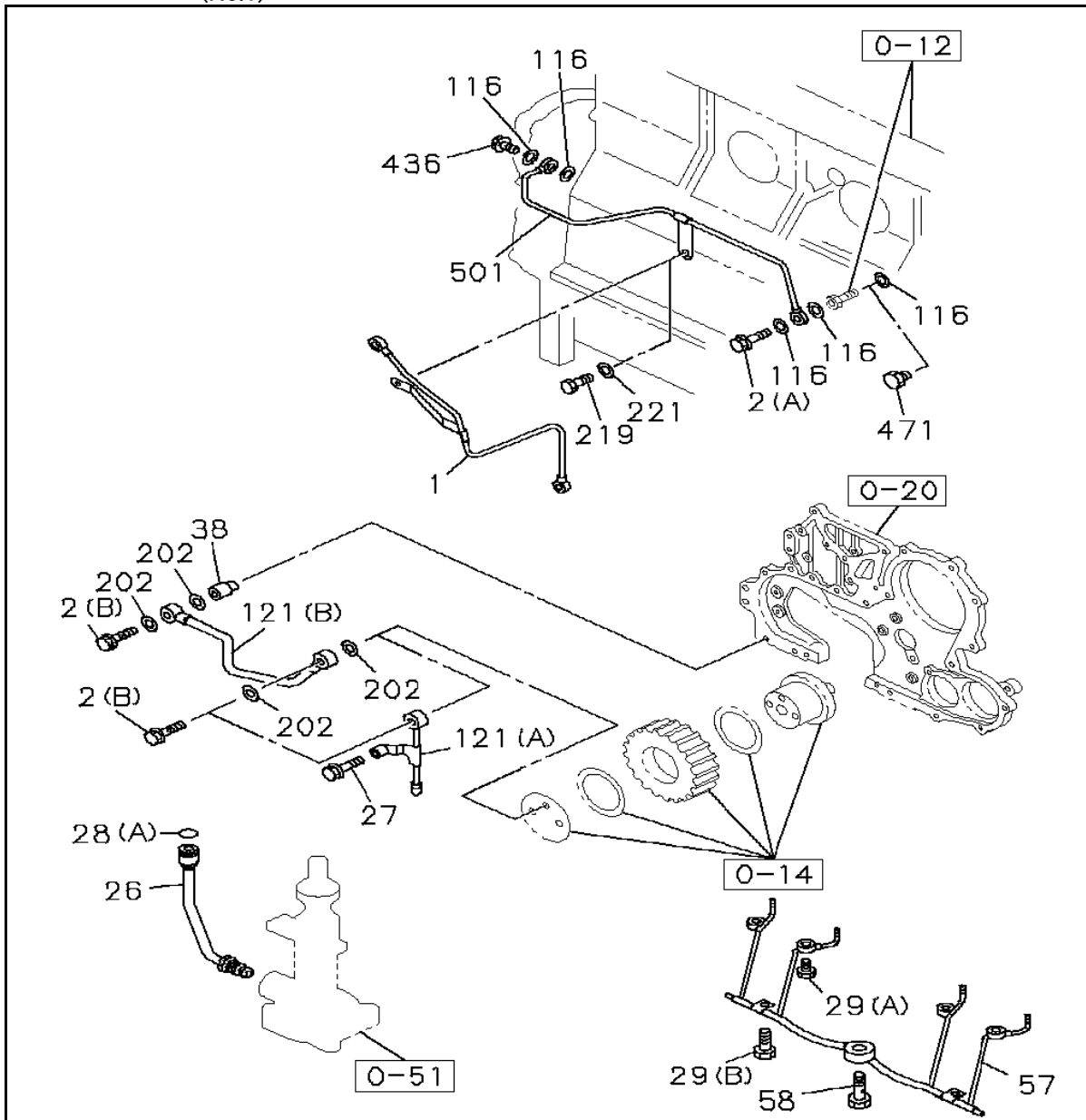


KEY No.	Part no.	qty	Part description
1 (A)	8-97325-157-0	1	PUMP ASM; OIL
1 (B)	8-97065-232-3	1	PUMP ASM; OIL
1 (C)	5-13100-061-3	1	PUMP ASM; OIL
2	5-13165-004-0	1	SEAT; SPR
3	9-08104-030-0 <0-81124-030-0>	1	PIN; SPLIT
5	8-97036-834-0	1	SPRING; COIL
7 (A)	9-01900-825-0 <0-50540-825-0>	4	BOLT; COVER,OIL PUMP M8X25 W/LK WASHER
7 (B)	5-09030-031-0	2	BOLT; COVER,OIL PUMP M8X50
19	8-97044-112-0	1	GEAR SET; OIL PUMP
29	0-50640-825-0	2	BOLT; OIL PUMP M8X25 W/LK&PL WASHER
31	9-13113-077-1	1	COVER; OIL PUMP
38	5-13141-014-0	1	CASE; OIL STRAINER
43	9-01900-812-0 <0-50540-812-0>	1	BOLT; CASE M8X12
66 (A)	9-13143-603-1	1	GAUZE; OIL STRAINER

KEY No.	Part no.	qty	Part description
66 (B)	9-13143-010-0	1	GAUZE; OIL STRAINER
121	8-94235-567-1	1	VALVE; RELIEF,OIL PUMP

0-52 OIL AND VACUUM PIPING; ENGINE

(No.1)

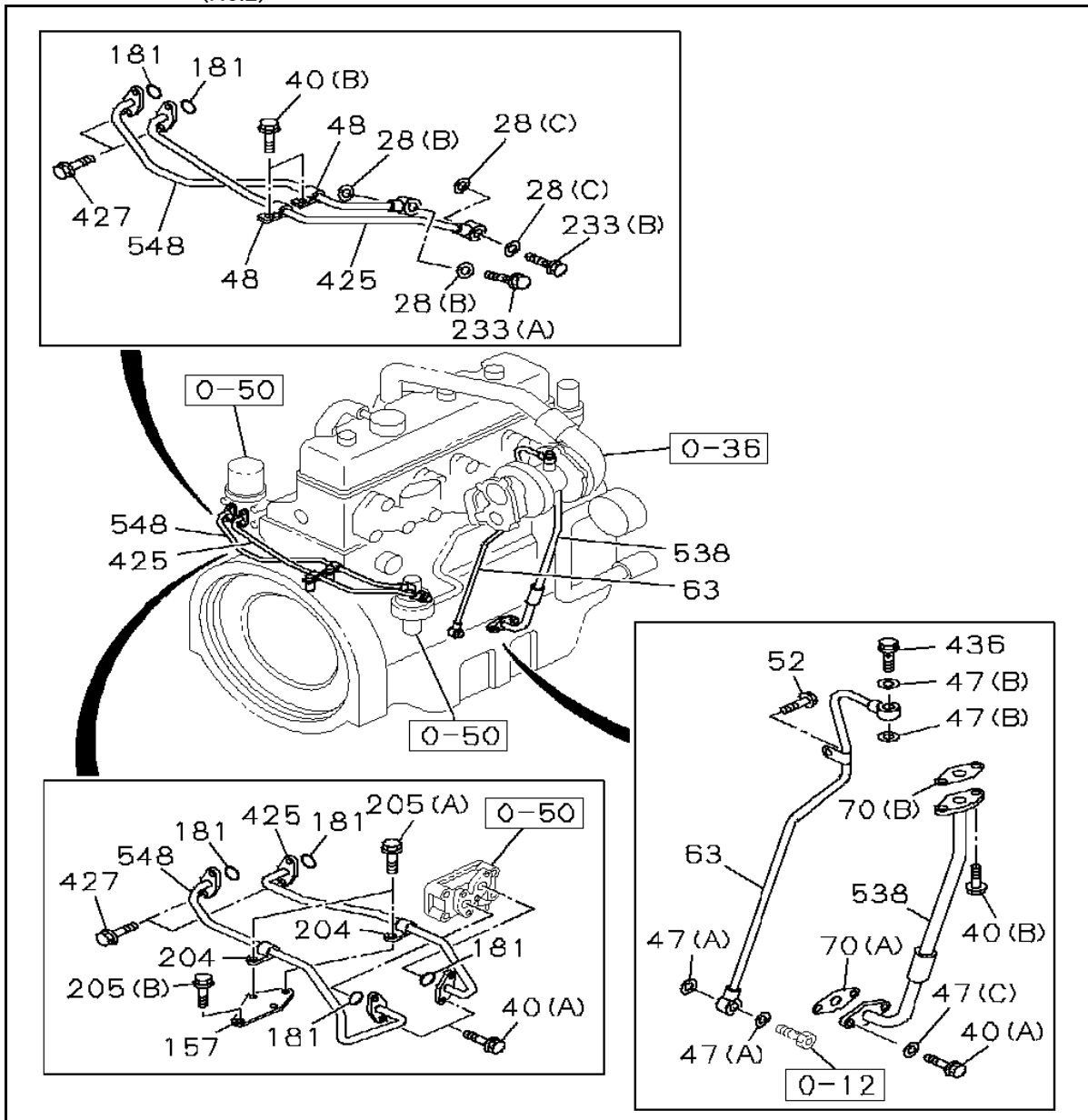


KEY No.	Part no.	qty	Part description
1	8-97232-957-0	1	PIPE; OIL,INJ PUMP TO C/BL
2 (A)	5-09675-018-1	1	BOLT; EYE,OIL PIPE M8X20 FLANGE
2 (B)	8-94454-199-0 <5-09675-043-0>	1	BOLT; EYE,OIL PIPE M8X23 FLANGE
26	8-94434-827-1	1	PIPE; OIL,PUMP TO C/BL
27	0-50040-822-0	1	BOLT; OIL PIPE FIX M8X22 W/LK WASHER
28 (A)	5-09623-002-0	1	GASKET; OIL PIPE ALSO INCLUDED IN GASKET SET(ENGINE)
29 (A)	0-28050-620-0	4	BOLT; OIL PIPE,OIL JET M6X20 FLANGE
29 (B)	0-28050-810-0	1	BOLT; OIL PIPE,OIL JET M8X10 FLANGE
57	8-97043-741-2	1	PIPE; OIL,OIL JET
58	8-97311-976-1	1	VALVE; RELIEF,OIL JET,PISTON COOLING
116	9-09572-008-0	3	GASKET; CAP NUT,OIL PIPE ID=8.2 OD=17 ALSO INCLUDED IN GASKET SET(ENGINE)

KEY No.	Part no.	qty	Part description
121 (A)	8-97160-706-0	1	PIPE; OIL,GEAR CASE
219	0-50540-612-0	1	BOLT; CLIP FIX,OIL PIPE M6X12 W/LK WASHER
436	8-97241-622-0	1	BOLT; JOINT

0-52 OIL AND VACUUM PIPING; ENGINE

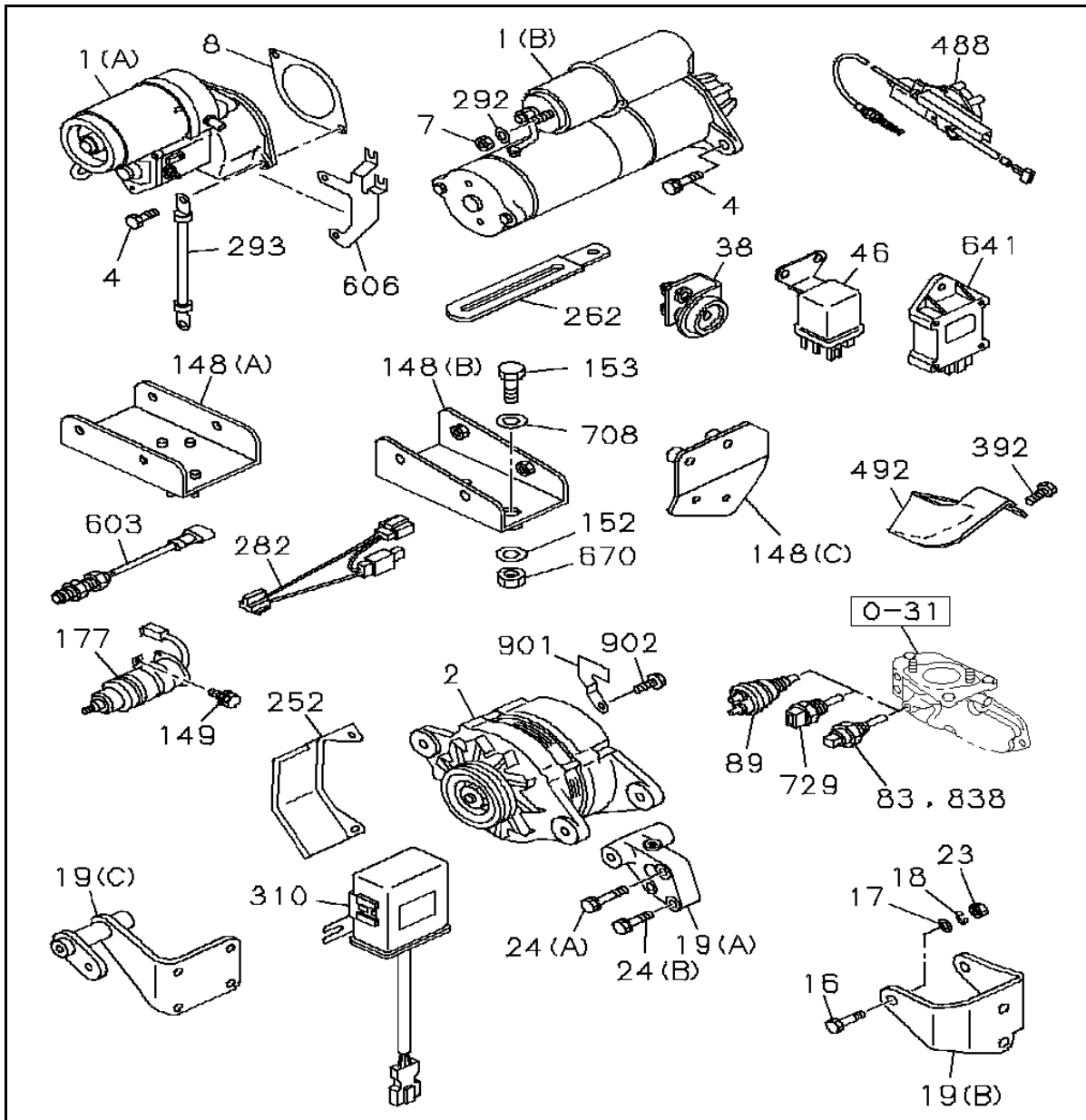
(No.2)



KEY No.	Part no.	qty	Part description
28 (B)	9-09572-016-0	2	GASKET; OIL PIPE ALSO INCLUDED IN GASKET SET(ENGINE)
28 (C)	9-09572-020-0	2	GASKET; OIL PIPE ALSO INCLUDED IN GASKET SET(ENGINE)
40 (A)	0-28080-822-0 <8-97365-376-0>	2	BOLT; OIL PIPE M8X22 FLANGE
40 (B)	0-50040-618-0 <8-97089-428-0>	2	BOLT; OIL PIPE M6X18 W/LK WASHER
40 (B)	0-50540-618-0	2	BOLT; OIL PIPE M6X18 W/LK WASHER
47 (A)	9-09571-414-0	2	GASKET; OIL PIPE ID=14.2 OD=20.0
47 (B)	9-09571-410-0	2	GASKET; OIL PIPE
47 (C)	9-09572-008-0	2	GASKET; OIL PIPE ID=8.2 OD=17
48	9-09520-835-0	1	CLIP; OIL PIPE
63	8-97240-410-0	1	PIPE; OIL,TURBOCHARGER FEED
70 (A)	8-94341-874-1	1	GASKET; OIL PIPE,TURBOCHARGER ALSO INCLUDED IN GASKET SET(ENGINE)

KEY No.	Part no.	qty	Part description
70 (B)	8-94362-672-1	1	GASKET; OIL PIPE,TURBOCHARGER ALSO INCLUDED IN GASKET SET(ENGINE)
157	8-97305-306-0	1	BRACKET; OIL PIPE
233 (A)	1-09675-095-1	1	BOLT; EYE M16X30 FLANGE
233 (B)	1-09675-133-1	1	BOLT; EYE M20X38
427	0-28680-820-0 <0-28650-820-0>	4	BOLT; OIL PIPE TO FILTER M8X20 FLANGE
538	8-97240-411-0	1	PIPE; OIL,TURBOCHARGER OUT

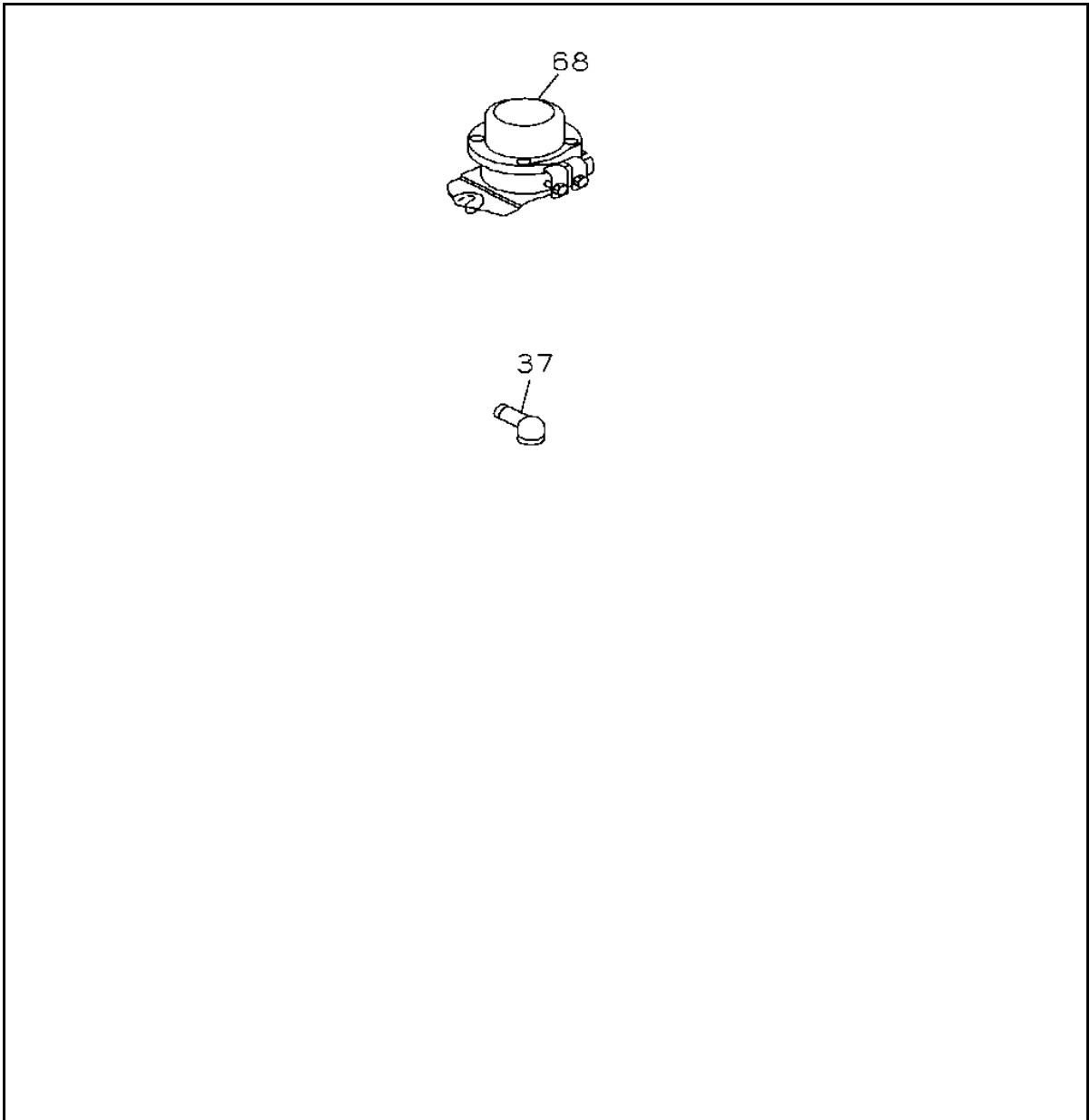
0-60 ENGINE ELECTRICAL CONTROL PARTS



KEY No.	Part no.	qty	Part description
1 (A)	8-97349-402-1	1	STARTER ASM 12V-2.2KW MITSUBISHI SEE FIG-NO 0-65 FOR COMPONENT.
1 (B)	8-97084-877-0	1	STARTER ASM 12V-2.2KW HITACHI SEE FIG-NO 0-65 FOR COMPONENT.
2	8-97228-318-0	1	GENERATOR ASM 12V-50A HITACHI SEE FIG-NO 0-66 FOR COMPONENT.
4	0-28151-235-0	2	BOLT; STARTER M12X35 FLANGE
7	0-91111-508-0	1	NUT; STARTER
16	0-10805-835-0	2	BOLT; GEN M8X35
16	8-97222-684-0	1	BOLT; GEN M8X124
17	9-09164-708-0 <0-91614-708-0>	2	WASHER; PL,GEN
17	0-91610-508-0	1	WASHER; PL,GEN

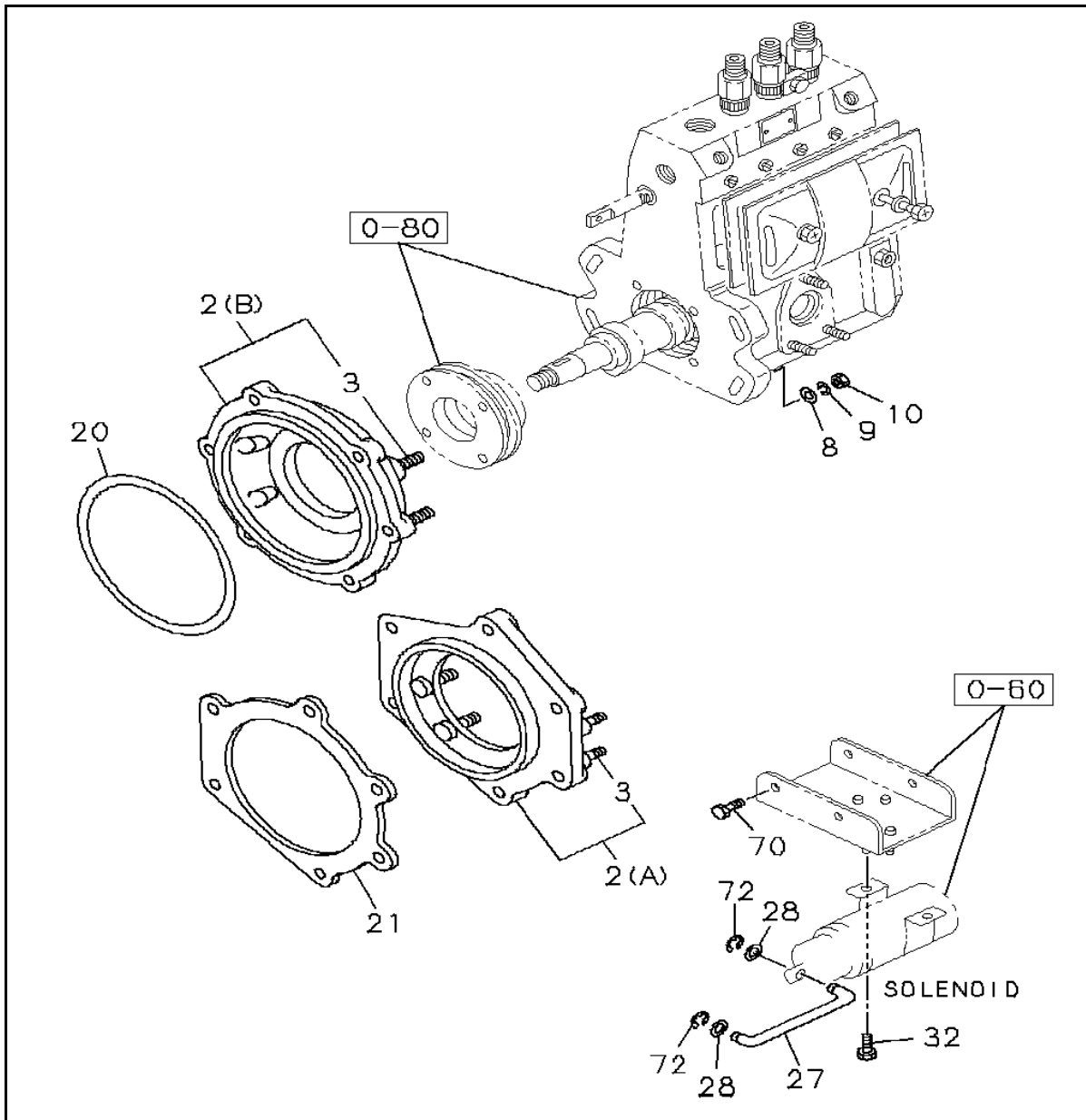
KEY No.	Part no.	qty	Part description
18	0-91510-508-0	1	WASHER; LK,GEN
19 (B)	8-94423-745-0	1	BRACKET; GEN
19 (B)	8-97210-879-0	1	BRACKET; GEN
19 (C)	8-97089-164-0	1	BRACKET; GEN
23	0-91110-508-0	1	NUT; GEN
89	8-97262-969-0	1	SWITCH; OVER HEAT WARNING
148 (B)	8-94463-447-0	1	BRACKET; SOLENOID VLV
152	9-09160-606-0 <0-91610-606-0>	4	WASHER; PL,SOLENOID VLV
252	8-97212-477-0	1	COVER; GEN
282	8-97225-718-1	1	HARNESS; EXT,GEN
292	0-91510-508-0	1	WASHER; LK,STARTER
310	1-82550-325-0	1	CONTROLLER; QOS
392	0-28051-016-0	2	BOLT; BRKT M10X16 FLANGE
488	1-81900-190-2	1	STOPPER; ENG
492	8-97318-648-0	1	BRACKET; ENG STOPPER
603	1-81510-513-0	1	SENSOR; TACHO
641	8-97246-510-0	1	TIMER; QOS
670	9-09110-506-0 <0-91110-506-0>	4	NUT; SOLENOID VLV
708	9-09164-514-0	1	WASHER; PL,BRKT
729	8-97069-786-1	1	SENSOR; THERMO,QOS
901	8-97229-244-0	1	STAY; CONNECTOR,ACG

0-61 BATTERY AND ENGINE ELECTRICAL PARTS



KEY No.	Part no.	qty	Part description
68	8-94379-543-1	1	RELAY; BATTERY

0-86 MISCELLANEOUS PARTS; INJECTION PUMP



KEY No.	Part no.	qty	Part description
2 (A)	8-94167-787-0	1	BRACKET; HSG & TIMER,INJ PUMP
21	8-97095-548-0 <8-97095-548-1>	1	GASKET; INJ PUMP ALSO INCLUDED IN GASKET SET(ENGINE)
32	0-50140-618-0	2	BOLT; FUEL CUT VLV,INJ PUMP M6X18 W/LK&PLWASHER