

ISUZU

DIESEL ENGINE

4LE1 NYGD04

PARTS CATALOG

How to refer to the Parts Catalog

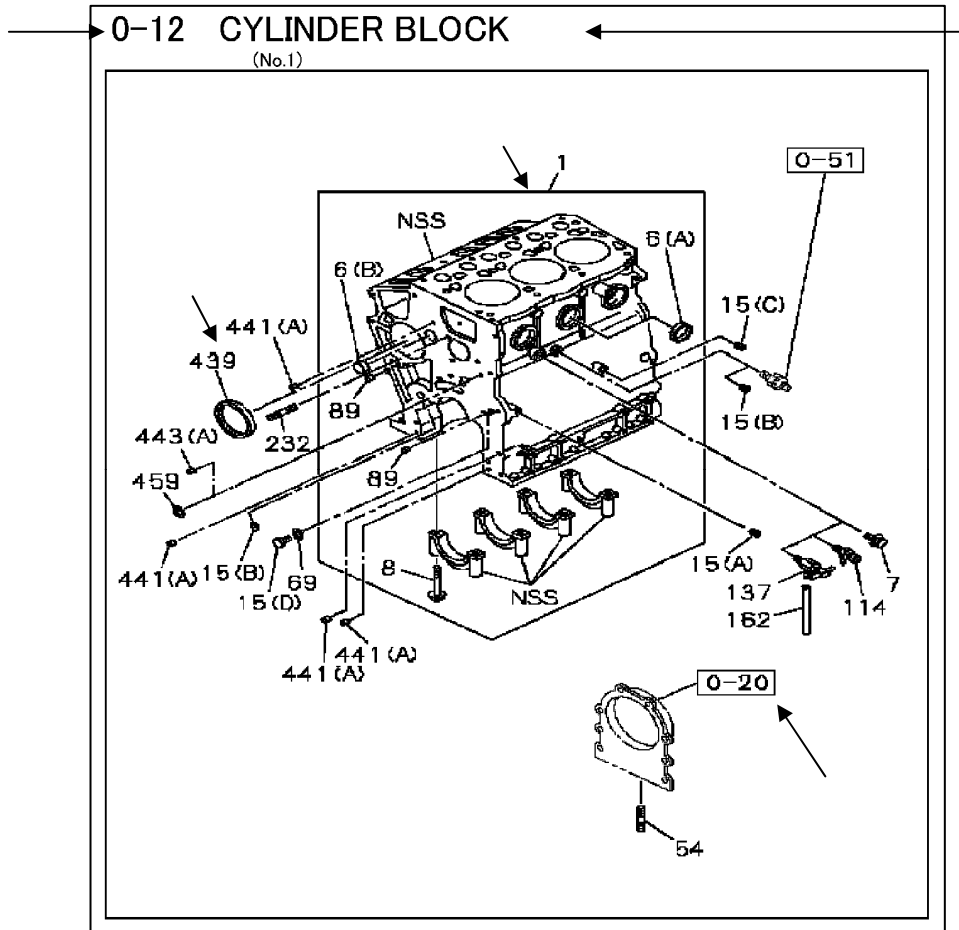


FIG. NO.

3-digit (X-XX) has been assigned to each section and illustration in the parts catalogue. The first digit from the right identifies the section originated in primary catalogue and the second and third digits identify the subsection.

For instance, "0-12" means Engine (0) and Cylinder Block (12).

Nomenclature of Illustrated Parts

The title contains a generic name(s) for the item(s) illustrated.

KEY NUMBER

The Key Number connects the illustrated part to the appropriate text.

Items described as "NSS" that stands of "Not Serviced Separately" are not a unit for replacement but is supplied in other unit such as assembly.

ASSEMBLY, KIT, SET AND COMPONENTS

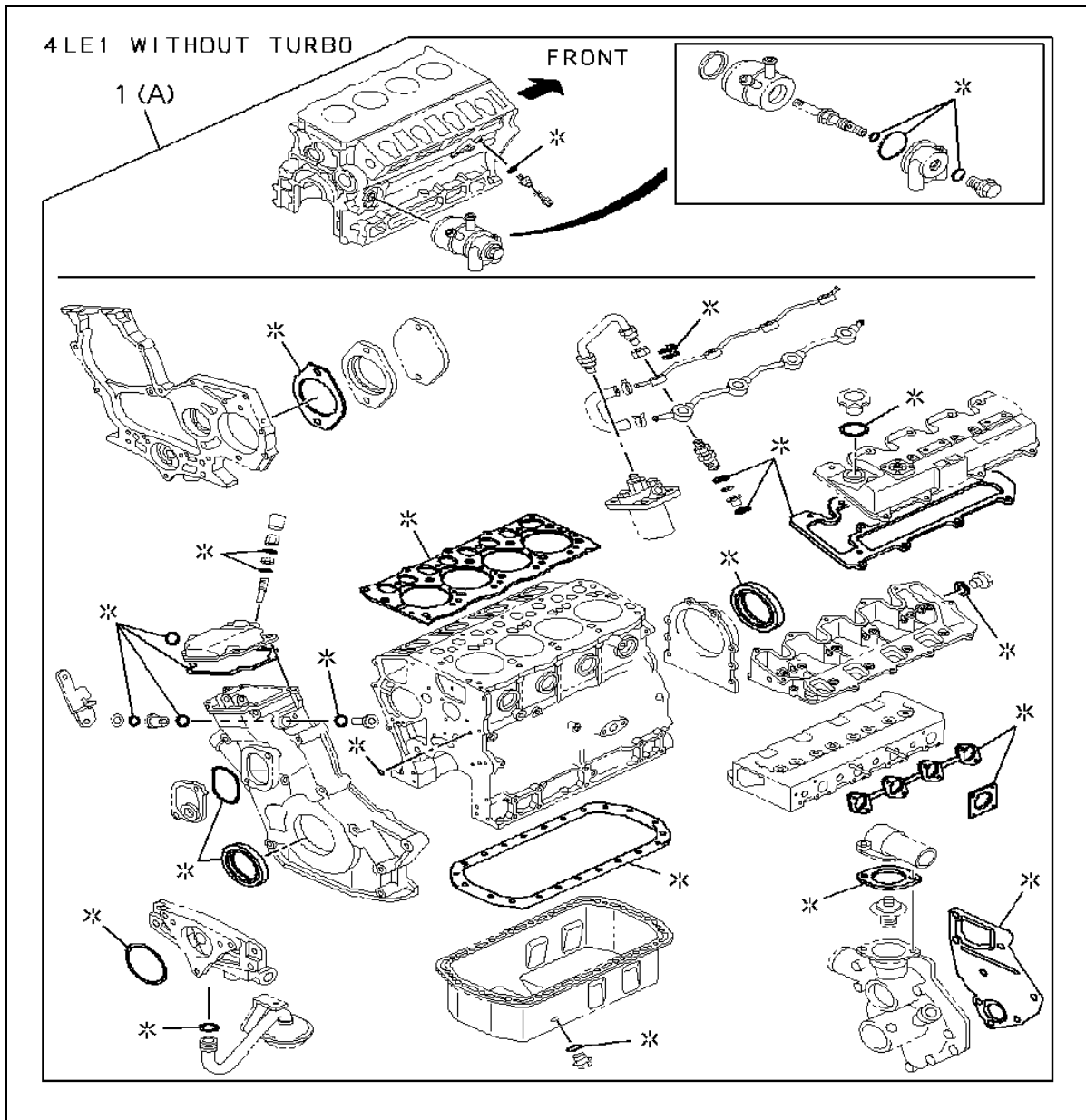
Assembly, Kit or Set are shown by an enclosing line. The component in Assembly, Kit or Set is also shown by the enclosing line.

FIG. NO.

Key Number is not shown for Items to be used for reference. Such items are shown to describe the composition purpose and should refer to another section in the Parts Catalogue for details.

Section in the applicable catalog is shown next to the illustration.

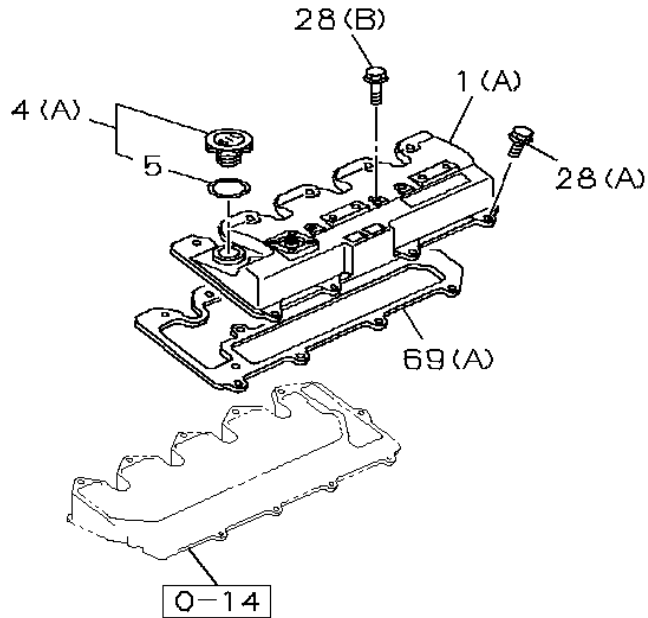
0-05 ENGINE GASKET KIT



KEY No.	Part no.	qty	Part description
1 (A)	5-87815-343-2	1	GASKET SET; ENG OVERHAUL

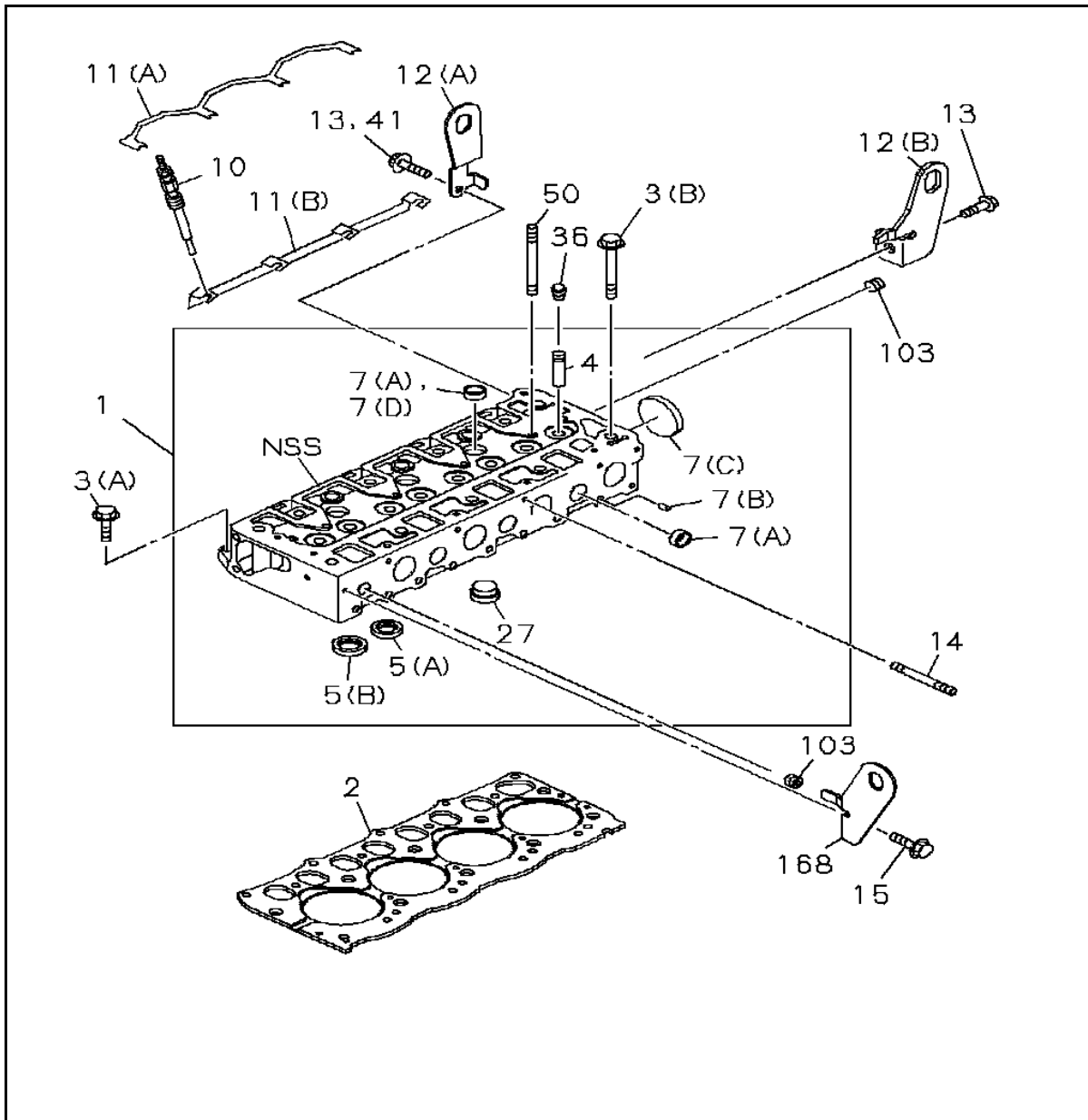
0-10 CYLINDER HEAD COVER

WITHOUT TURBO



KEY No.	Part no.	qty	Part description
1 (A)	8-97378-024-0	1	COVER; CYL HD
4 (A)	8-94133-207-5	1	CAP; OIL FILLER
5	8-94123-623-1	1	GASKET; OIL FILLER ID=32 OD=40 ALSO INCLUDED IN GASKET SET(ENGINE)
28 (A)	0-28050-620-0	9	BOLT; HD COVER M6X20 FLANGE
28 (B)	0-28050-645-0	4	BOLT; HD COVER M6X45 FLANGE
69 (A)	8-97201-466-1	1	GASKET; HD TO COVER ALSO INCLUDED IN GASKET SET(ENGINE)

0-11 CYLINDER HEAD

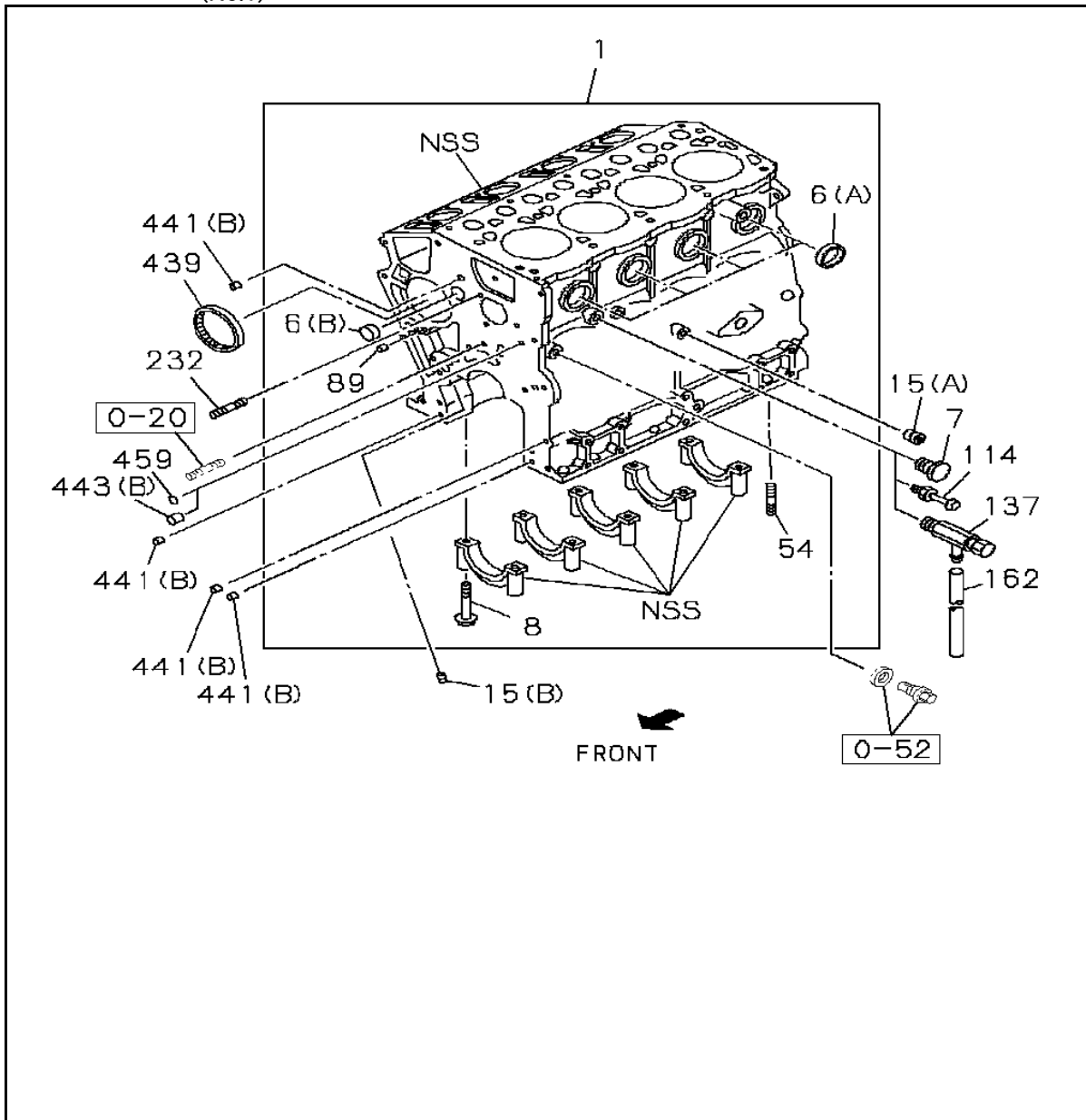


KEY No.	Part no.	qty	Part description
1	8-97114-713-5	1	HEAD ASM; CYL
2	8-98074-776-0	1	GASKET; CYL HD ALSO INCLUDED IN GASKET SET(ENGINE)
3 (A)	8-94463-784-0	5	BOLT; CYL HD TO BLOCK M8X25
3 (B)	8-97036-959-1	10	BOLT; CYL HD TO BLOCK M12X89
4	8-97031-749-0 <8-97231-969-0>	8	GUIDE; VLV
5 (A)	8-97045-391-2	4	SEAT; VLV INSERT INLET
5 (B)	8-97045-392-0	4	SEAT; VLV INSERT EXHAUST
7 (A)	8-97209-609-0	3	CUP; SEALING,CYL HEAD OD=22
7 (B)	8-97233-429-0	5	CUP; SEALING,CYL HEAD OD=8
7 (C)	8-97351-451-0 <8-97036-550-1>	1	CUP; SEALING,CYL HEAD OD=45

KEY No.	Part no.	qty	Part description
7 (D)	9-11129-128-0	3	CUP; SEALING,CYL HEAD OD=20
10	8-97106-549-4	4	PLUG; GLOW 12V
11 (A)	8-98100-786-0	1	CONNECTOR; GLOW PLUG
11 (B)	8-97229-381-0	1	CONNECTOR; GLOW PLUG
12 (A)	8-97085-390-0	1	HANGER; ENG,RR
12 (B)	8-97085-389-0	1	HANGER; ENG,RR
13	0-28050-816-0	1	BOLT; HANGER M8X16 FLANGE
14	5-09300-065-0	2	STUD; EXH MANIF M8X79 L=92
15	0-28050-816-0	1	BOLT; HANGER,FRT M8X16 FLANGE
27	8-97115-315-1	4	PLUG; HOT
36	8-94110-559-1	8	SEAL; OIL,VLV GUIDE
41	0-28050-816-0	1	BOLT; ENG HANGER M8X16 FLANGE
50	8-97094-641-1	6	STUD; ROCKER SHAFT BRKT M6X45 L=53
103	5-09605-005-0	1	PLUG; HD PT 3/8
168	8-97085-389-0	1	HANGER; ENG,FRT

0-12 CYLINDER BLOCK

(No.1)

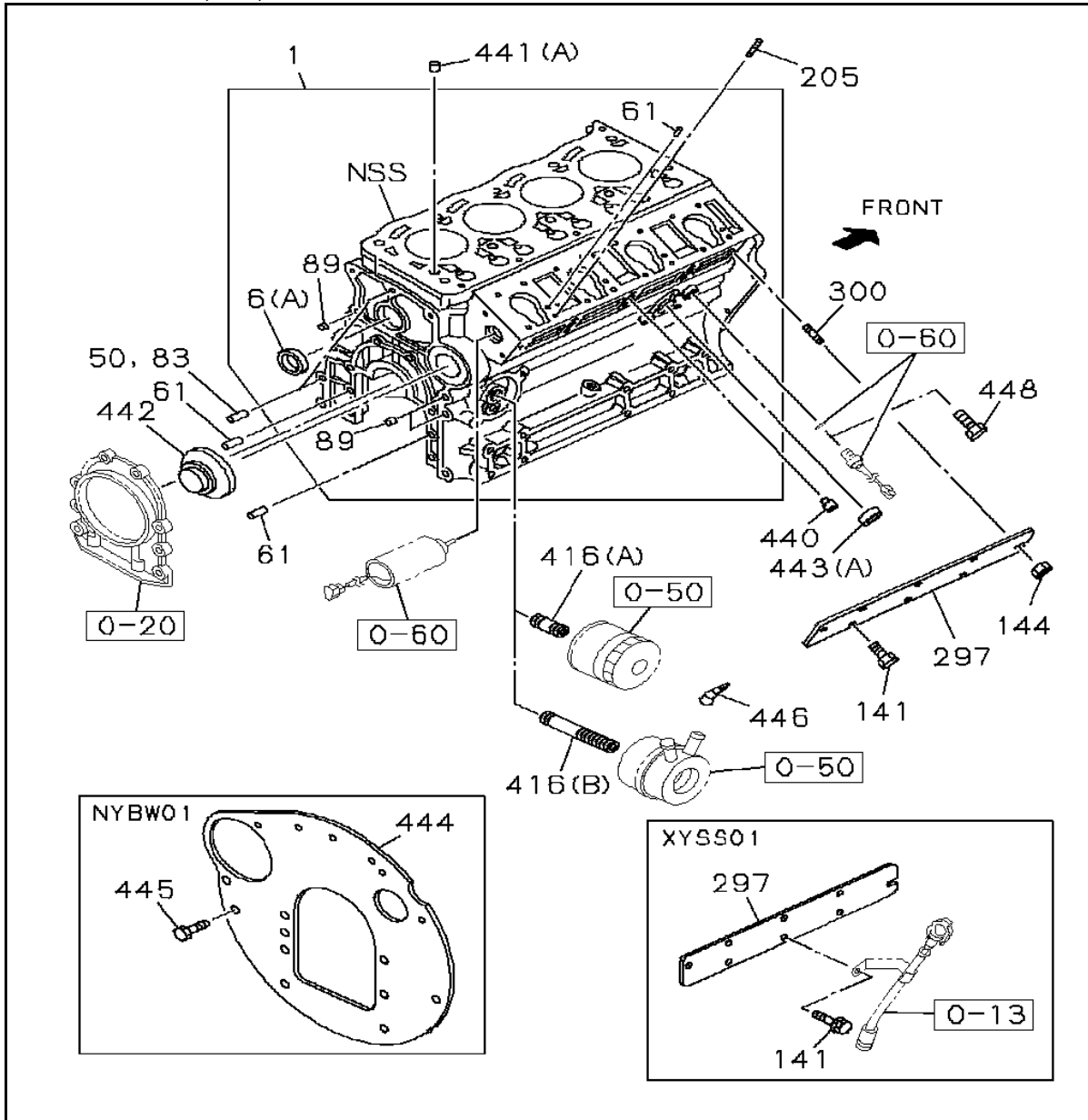


KEY No.	Part no.	qty	Part description
1	8-97369-555-6	1	BLOCK ASM; CYL
6 (A)	8-94229-853-0	5	CUP; SEALING OD=35
6 (B)	8-97209-609-0	1	CUP; SEALING OD=22
7	9-09664-001-0	1	PLUG; WATER DRAIN PT 1/4
8	8-94167-470-1	10	BOLT; BRG CAP M11X83
15 (A)	1-09605-019-0	1	PLUG; OIL GALLERY PT 1/4
15 (B)	9-09204-510-0	1	PLUG; OIL GALLERY PT 1/8
54	0-41010-616-0	4	STUD; OIL PAN TO BLOCK M6X16 L=25
89	5-09600-013-0	4	CUP; SEALING,OIL GALLERY OD=12.3
114	5-13721-028-1	1	NIPPLE; WATER DRAIN PT 1/4 L=61.5

KEY No.	Part no.	qty	Part description
137	8-94342-414-0	1	COCK; DRAIN,WATER
162	9-09914-909-0	1	HOSE; WATER DRAIN,C/BL L=520 S.B=10000
232	8-97262-145-1	1	STUD; WATER PUMP M8X40 L=52
439	8-98063-794-0	1	BEARING; NEEDLE NSK
441 (B)	9-11229-058-1	4	DOWEL; CYL BLOCK OD=11 L=8
443 (B)	5-09600-013-0	1	CAP; SEALING OD=12.3
459	9-09565-213-0	1	GASKET; OIL GALLERY ALSO INCLUDED IN GASKET SET(ENGINE)

0-12 CYLINDER BLOCK

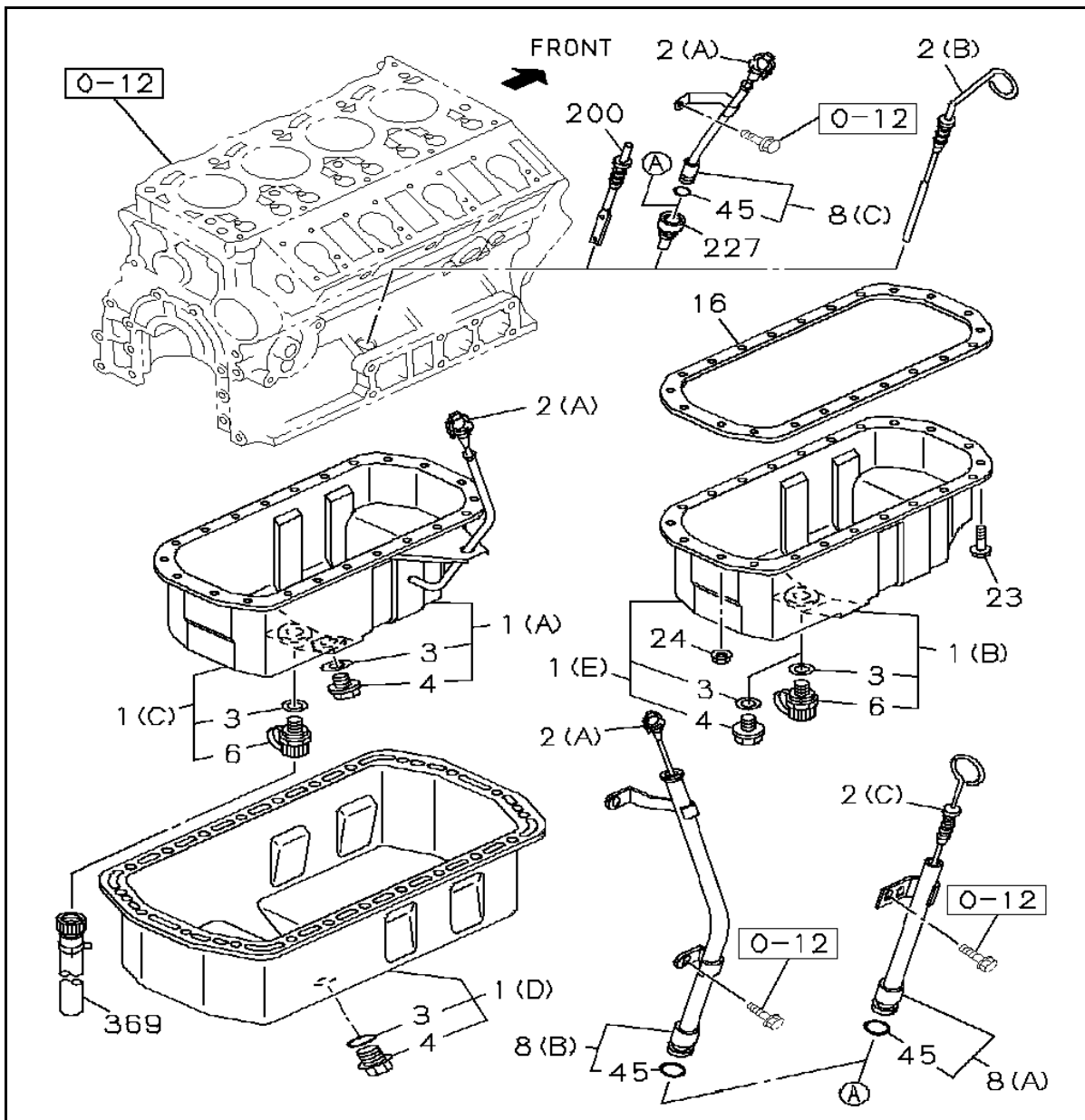
(No.2)



KEY No.	Part no.	qty	Part description
61	9-08150-616-0	6	PIN; STRAIGHT OD=6 L=16
83	9-08160-816-0 <9-08150-816-0>	2	PIN; FLYWHEEL HSG OD=8 L=16
141	0-28050-612-0	6	BOLT; COVER M6X12 FLANGE
144	8-97329-622-0	2	NUT; COVER FIX M6 W/LK WASHER
205	1-09305-005-0	8	STUD; PUMP HOLE M8X20 L=32
297	8-97118-989-2	1	COVER; CYL BLOCK
300	8-97262-147-1	1	STUD; COVER M6X16 L=25
300	8-97262-148-1	1	STUD; COVER M6X19 L=27
416 (A)	8-94325-595-0	1	STUD; OIL FILTER M20X20 L=32
416 (B)	8-97102-550-1	1	STUD; OIL FILTER M20X89.5 L=103

KEY No.	Part no.	qty	Part description
440	8-97039-495-3	2	PIN; CONT LINK
441 (A)	8-94200-819-0	2	DOWEL; CYL BLOCK OD=15.25
442	8-97047-142-1	1	PLUG; THRUST
443 (A)	1-09600-012-2	1	CAP; SEALING OD=32
444	8-97251-734-0	1	PLATE; C/BL
445	0-28151-020-0	4	BOLT; PLATE M10X20 FLANGE
446	0-95234-622-0	1	CLIP; LEAD WIRE
448	5-09604-016-0	1	PLUG; C/BL M14X9

0-13 OIL PAN AND LEVEL GAUGE

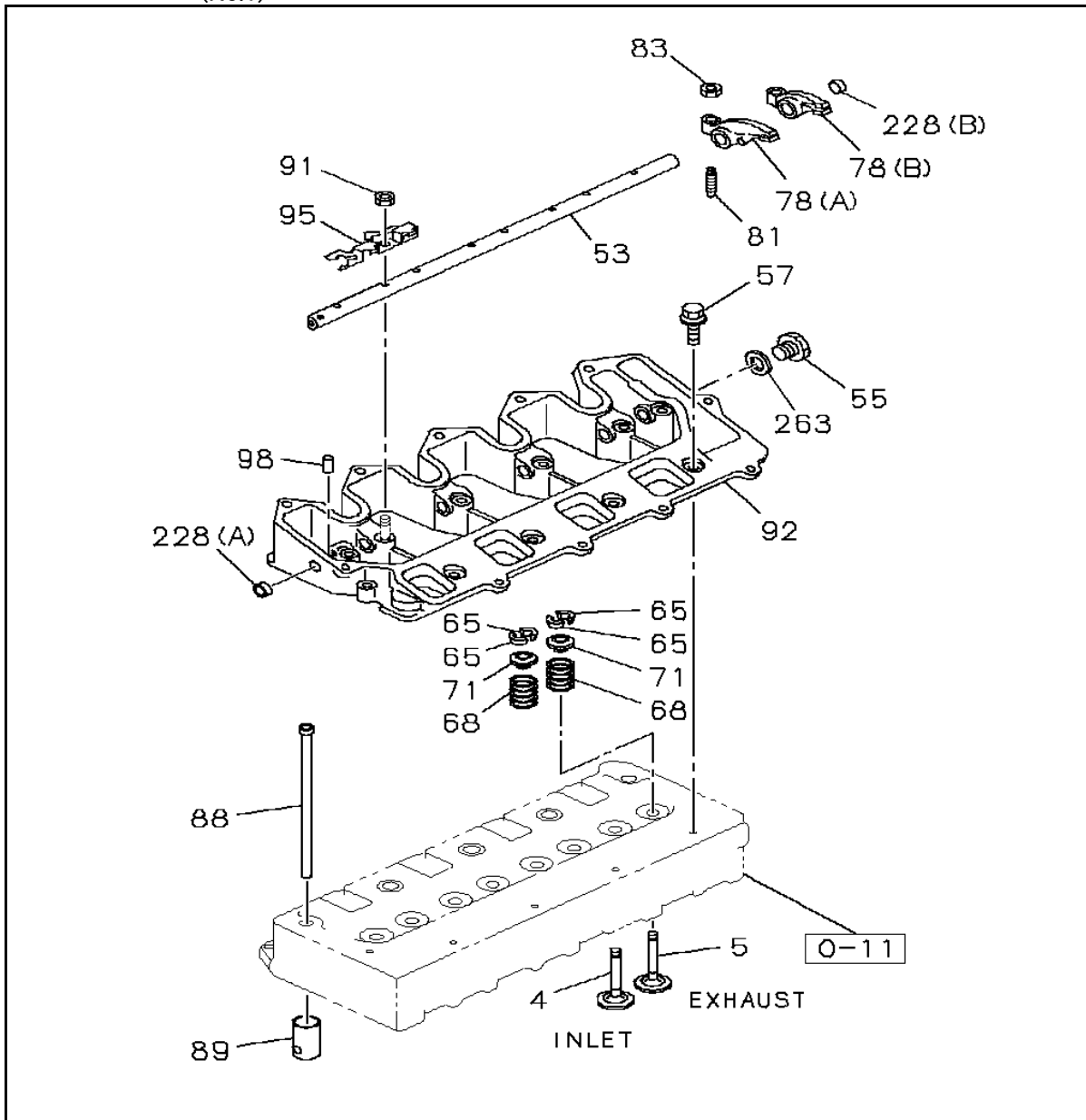


KEY No.	Part no.	qty	Part description
1 (B)	8-98093-074-0	1	PAN ASM; OIL
1 (D)	8-97171-126-0	1	PAN ASM; OIL
1 (E)	8-98079-863-0	1	PAN ASM; OIL
2 (B)	8-94422-595-0	1	GAUGE; OIL LEVEL
2 (C)	8-97088-814-0	1	GAUGE; OIL LEVEL
3	1-09623-057-0	1	GASKET; DRAIN PLUG ID=24.4 ALSO INCLUDED IN GASKET SET(ENGINE)
4	9-09662-012-0	1	PLUG; DRAIN,OIL M20X16.5
8 (A)	8-97096-700-0	1	TUBE; GUIDE,OIL LEVEL GAUGE
8 (B)	8-98100-519-1	1	TUBE; GUIDE,OIL LEVEL GAUGE
8 (C)	8-98089-059-0	1	TUBE; GUIDE,OIL LEVEL GAUGE
16	8-97314-914-0	1	GASKET; OIL PAN TO C/BL ALSO INCLUDED IN GASKET SET(ENGINE)
23	8-97135-141-0	18	BOLT; OIL PAN M6X13 W/WASHER
24	8-97329-622-0	4	NUT; OIL PAN M6 W/LK WASHER

KEY No.	Part no.	qty	Part description
45	5-09623-002-0	1	GASKET; GUIDE TUBE ID=11
227	8-97363-253-0	1	NIPPLE; GUIDE TUBE
369	8-97388-023-1	1	DRAINER; OIL

0-14 CAMSHAFT AND VALVE

(No.1)

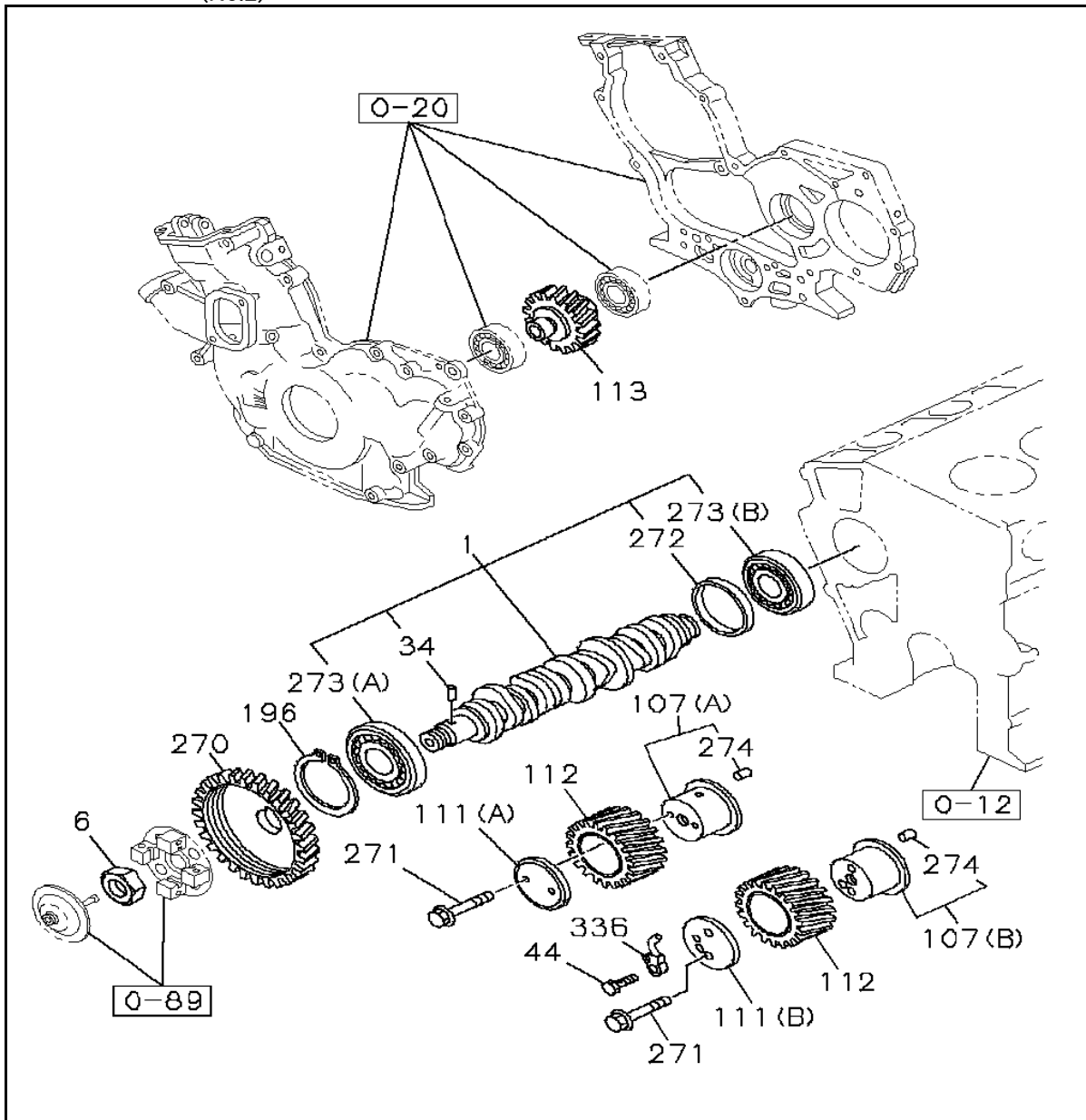


KEY No.	Part no.	qty	Part description
4	8-97102-123-1	4	VALVE; INL
5	8-97045-410-3	4	VALVE; EXH
53	8-97118-656-1	1	SHAFT; ROCKER ARM
55	8-98042-944-0	1	PLUG; ROCKER SHAFT END M14X9
57	0-28050-625-0	5	BOLT; ROCKER ARM BRKT M6X25 FLANGE
57	0-28050-650-0	5	BOLT; ROCKER ARM BRKT M6X50 FLANGE
65	8-94239-501-0	16	COLLAR; SPLIT
68	8-97034-629-1	8	SPRING; VLV
71	8-94251-031-1	8	SEAT; SPR
78 (A)	8-97212-518-0	4	ARM; ROCKER INLET
78 (B)	8-97212-520-0	4	ARM; ROCKER EXHAUST
81	8-97010-485-0	8	SCREW; ADJ,ROCKER ARM
83	0-91111-506-0	8	NUT; ADJ SCREW,LK M6

KEY No.	Part no.	qty	Part description
88	8-97069-575-3	8	ROD; PUSH
89	8-97034-630-1	8	TAPPET; VLV
91	8-97329-622-0	6	NUT; ROCKER SHAFT M6 W/LK WASHER
92	8-98048-889-0	1	BRACKET; ROCKER ARM
95	8-97070-698-2	4	SPRING; ROCKER SHAFT
98	9-08150-516-0	1	PIN; SHAFT SET OD=5 L=16
228 (A)	9-11129-083-0 <5-09600-013-0>	1	CUP; SEALING,CAMSHAFT OD=12
228 (B)	8-97233-429-0	1	CUP; SEALING,CAMSHAFT OD=8
263	9-09571-414-0	1	GASKET; CAM END ID=14.2 OD=20.0 ALSO INCLUDED IN GASKET SET(ENGINE)

0-14 CAMSHAFT AND VALVE

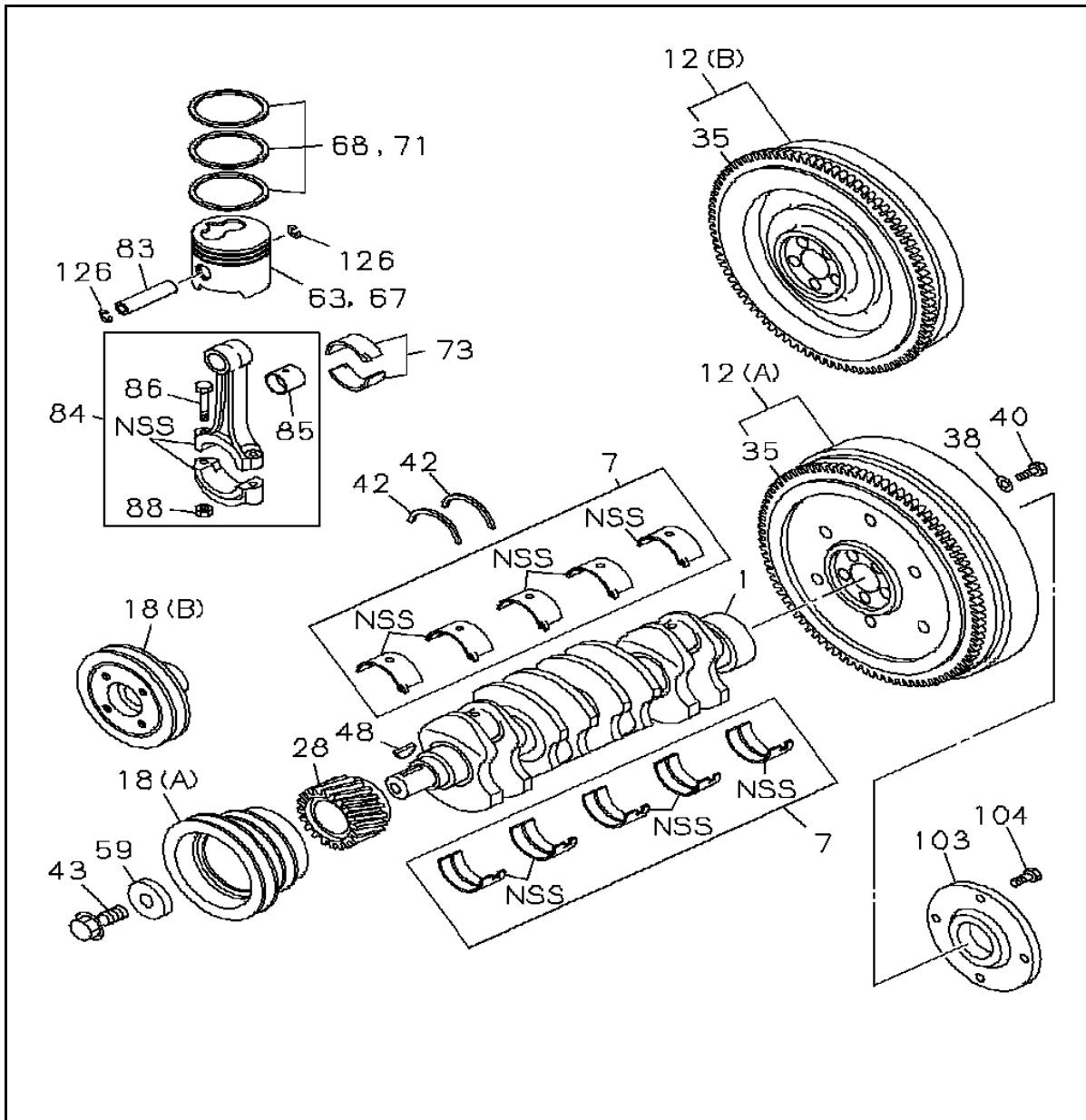
(No.2)



KEY No.	Part no.	qty	Part description
1	8-97145-198-0	1	CAMSHAFT
6	8-97303-225-0	1	NUT; CM/SHF GEAR M20 H=8
34	9-09878-626-0	1	PIN; CM/SHF OD=5 L=6
44	9-09906-205-1	1	BOLT M10X24
107 (B)	8-97310-122-2	1	SHAFT; IDLE GEAR
111 (A)	5-12535-005-1	1	COLLAR; THRUST, IDLE GEAR
111 (B)	8-97310-177-1	1	COLLAR; THRUST, IDLE GEAR
112	8-97129-782-0	1	GEAR; IDLE
113	8-97081-928-0	1	GEAR; IDLE
196	9-09180-162-0	1	RING; SNAP ID=57.9
270	8-97102-288-2	1	GEAR; INJ PUMP & VLV
271	0-28060-845-0	2	BOLT; COLLAR M8X45 FLANGE
272	8-97062-048-0	1	RING; CAMSHAFT

KEY No.	Part no.	qty	Part description
273 (A)	9-00090-610-0	1	BEARING; CAMSHAFT NSK
273 (B)	9-00090-657-0	1	BEARING; CAMSHAFT NSK
274	9-08160-510-0	1	PIN; IDLE SHAFT OD=5 L=10
274	8-98146-601-0	1	PIN; IDLE SHAFT OD=5 L=12 SPRING PIN
336	8-97310-125-2	1	PIPE; OIL,JET

0-15 CRANKSHAFT,PISTON AND FLYWHEEL



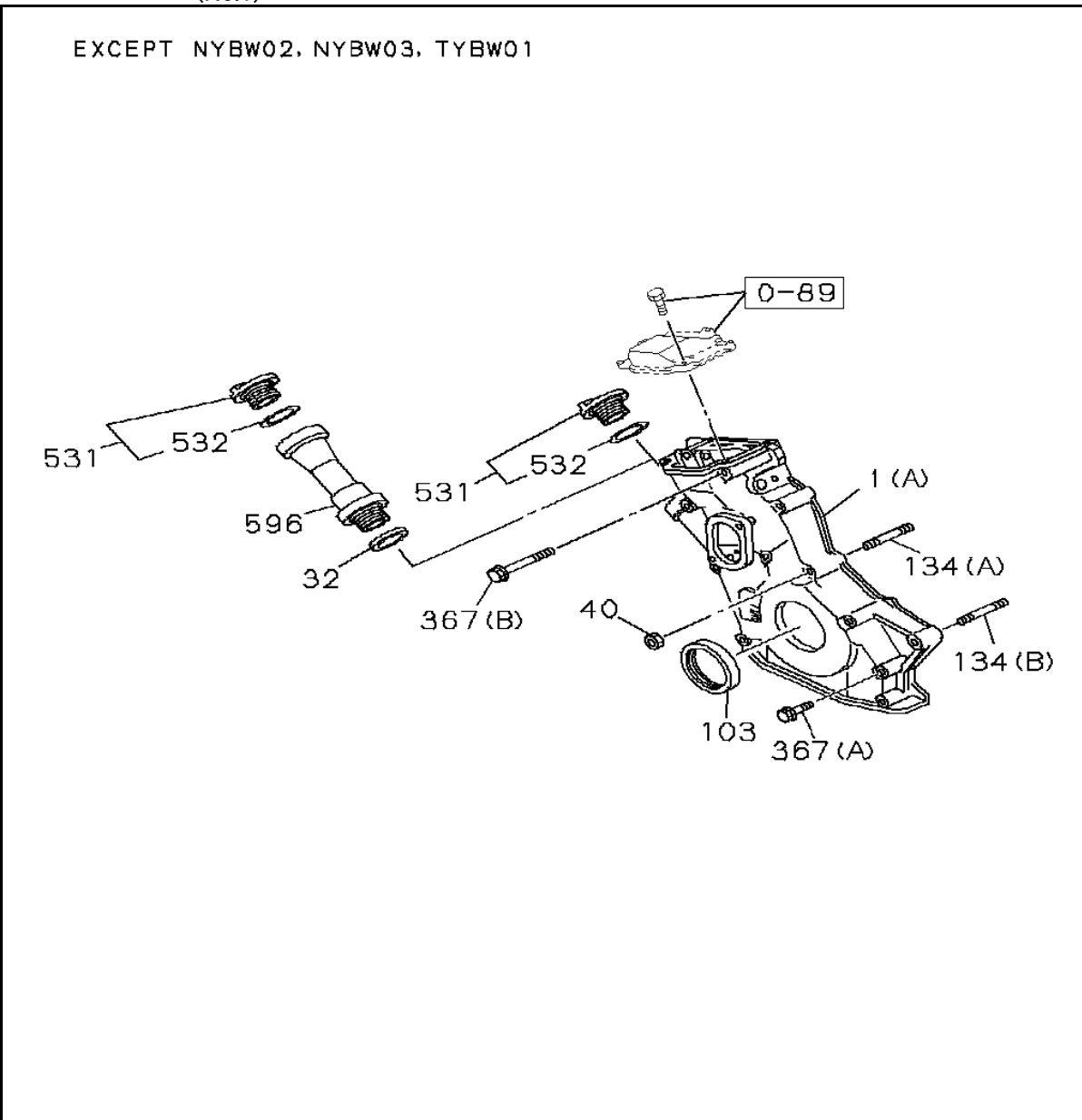
KEY No.	Part no.	qty	Part description
1	8-97115-177-2	1	CRANKSHAFT
7	8-98089-084-0	1	METAL KIT; CRANKSHAFT,STANDARD
12 (A)	8-97164-530-0	1	FLYWHEEL
18 (B)	8-97226-830-1	1	PULLEY; CR/SHF OD=125 W/DAMPER
28	8-97328-612-0	1	GEAR; CR/SHF
35	8-94419-602-1	1	GEAR; RING
38	8-97023-268-0	6	WASHER; FLYWHEEL
40	8-94133-328-1	6	BOLT; FLYWHEEL M12X32
42	8-98063-783-0	2	WASHER; THRUST,CR/SHF
43	8-94386-079-0	1	BOLT; CR/SHF PULLEY M14X34 FLANGE
48	8-94201-641-0	1	KEY; WOODRUFF,CR/SHF
59	8-94134-792-0	1	WASHER; CR/SHF PULLEY
63	8-97257-876-0	4	PISTON
67	8-97257-875-0	4	PISTON; O/S=0.25
68	8-97141-208-0	4	RING SET; PISTON,STANDARD
71	8-97141-209-0	4	RING SET; PISTON,O/S=0.25

KEY No.	Part no.	qty	Part description
73	8-98051-928-0	4	METAL SET; CONN ROD,STANDARD
83	5-12211-018-0	4	PIN; PISTON
84	8-97310-351-0	4	ROD ASM; CONN
85	8-97310-352-0	4	BUSHING; CONNROD
86	8-94216-206-4	8	BOLT; CONNROD M10 L=60
88	8-94224-236-2	8	NUT; CONNROD M10 FLANGE
103	5-12339-003-1	1	HOLDER; BRG,FLYWHEEL
104	0-28751-030-0	4	BOLT; HOLDER M10X30 FLANGE
126	8-94114-049-1	8	RING; SNAP,PISTON PIN

0-20 TIMING GEAR CASE AND FLYWHEEL HOUSING

(No.1)

EXCEPT NYBW02, NYBW03, TYBW01

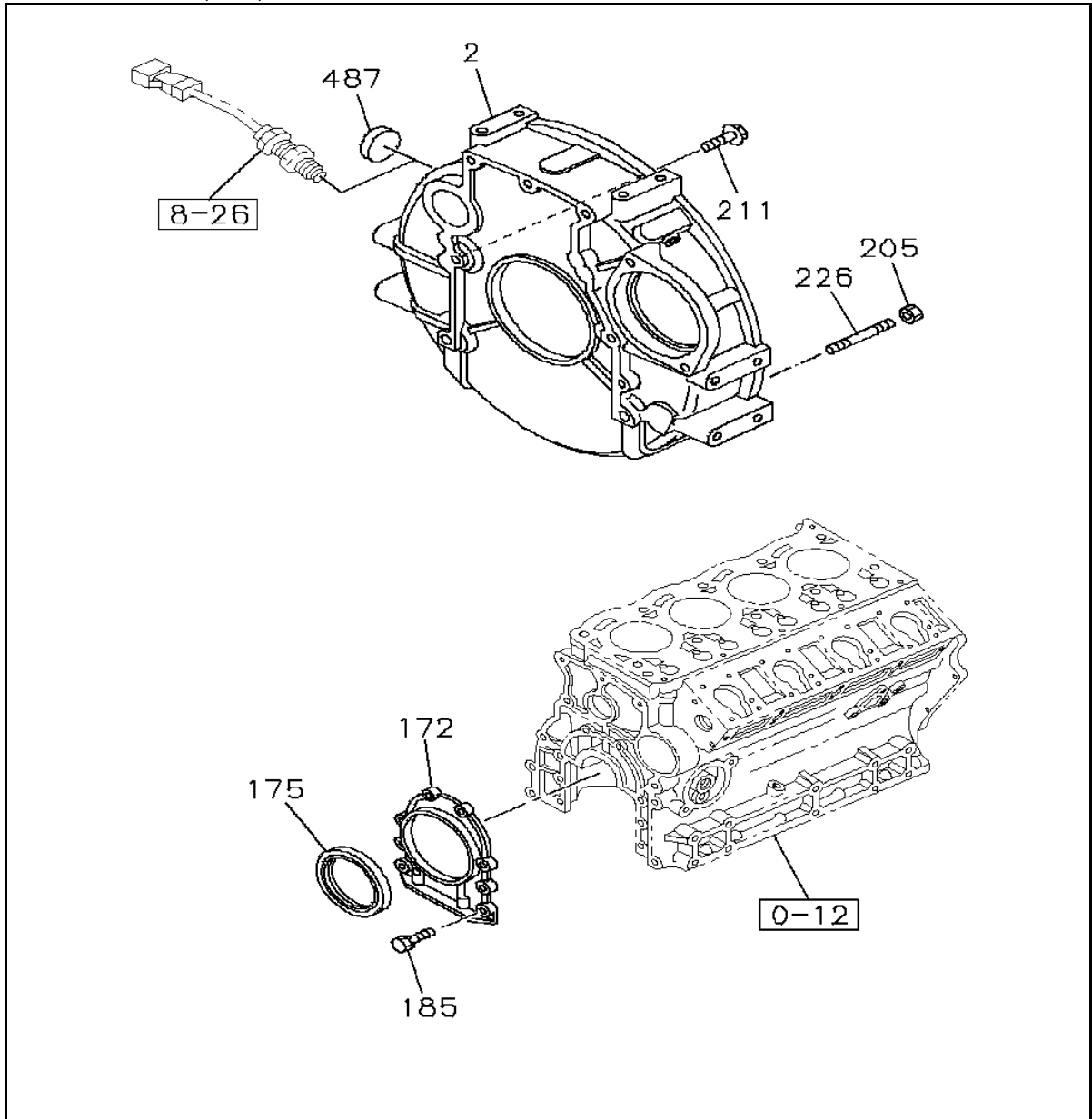


KEY No.	Part no.	qty	Part description
1 (A)	8-97303-411-2	1	CASE; TIMING GEAR
32	8-94123-623-1	1	GASKET; GEAR CAST TO C/BL ID=32 OD=40
40	0-91180-208-0	2	NUT; GEAR CASE M8 FLANGE
103	8-97351-704-0	1	SEAL; OIL,CR/SHF,FRT ALSO INCLUDED IN GASKET SET(ENGINE)
134 (A)	0-41010-860-0	1	STUD; TIMING GEAR CASE M8X60 L=72
134 (B)	8-97262-146-1	1	STUD; TIMING GEAR CASE M8X50 L=62
367 (A)	0-28060-860-0	6	BOLT; GEAR CASE M8X60 FLANGE
367 (B)	0-28050-880-0	2	BOLT; GEAR CASE M8X80 FLANGE
531	8-94425-685-2	1	CAP; OIL FILLER
532	8-94123-623-1	1	GASKET; CAP ID=32 OD=40 ALSO INCLUDED IN GASKET SET(ENGINE)

KEY No.	Part no.	qty	Part description
596	8-98089-122-0	1	FILLER; OIL

0-20 TIMING GEAR CASE AND FLYWHEEL HOUSING

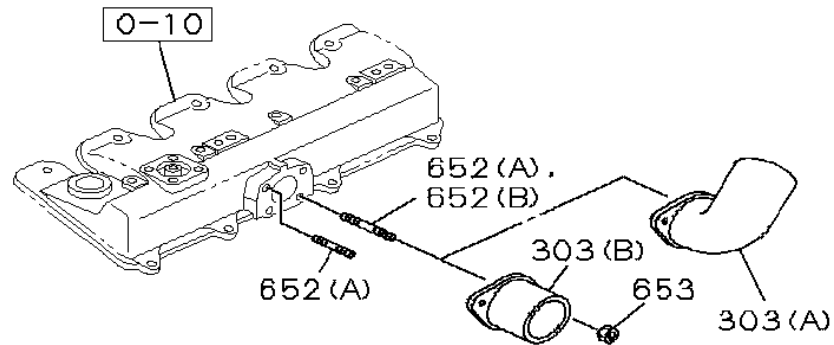
(No.2)



KEY No.	Part no.	qty	Part description
2	8-97304-046-1	1	HOUSING; FLYWHEEL
172	8-97231-030-2	1	RETAINER; CR/SHF
175	5-09625-094-0	1	SEAL; OIL,CR/SHF,RR ALSO INCLUDED IN GASKET SET(ENGINE)
185	0-28050-620-0	8	BOLT; RET TO C/BL M6X20 FLANGE
211	0-28151-025-0	4	BOLT; HSG M10X25 FLANGE
226	8-94127-703-0	2	STUD; HSG M10X111 L=126
487	8-97220-740-0	1	COVER; HOLE

0-25 INLET MANIFOLD

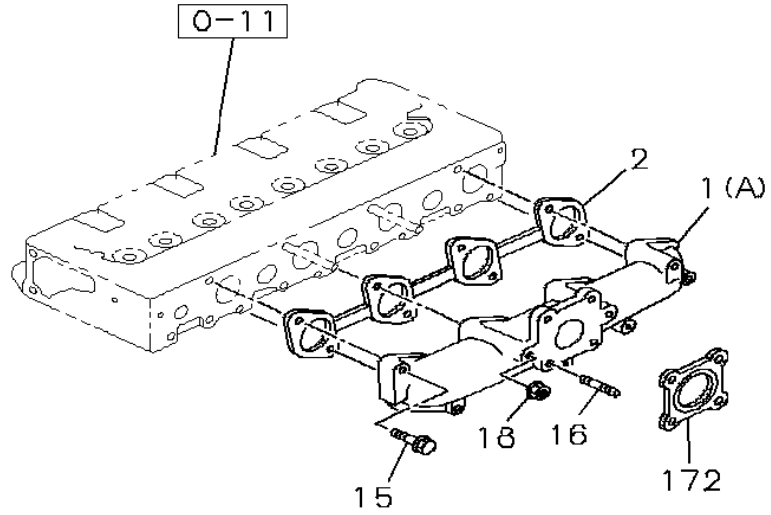
WITHOUT TURBO



KEY No.	Part no.	qty	Part description
303 (A)	8-97227-603-0	1	PIPE; AIR
303 (B)	8-97239-594-0	1	PIPE; AIR
652 (A)	0-41010-616-0	2	STUD; DUCT,AIR INLET M6X16 L=25
653	8-97329-622-0	2	NUT; DUCT,AIR INLET M6 W/LK WASHER

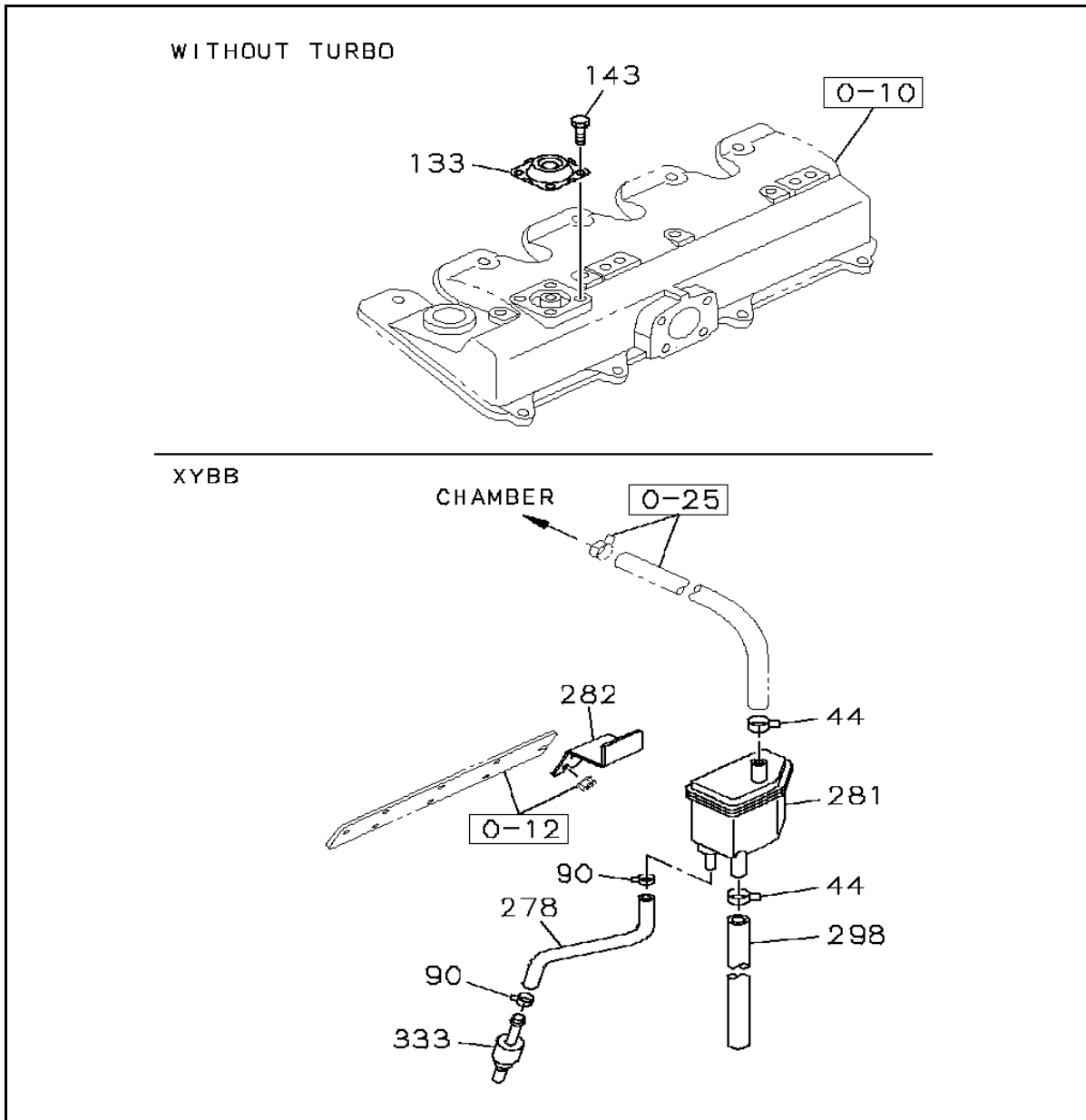
0-27 EXHAUST MANIFOLD

WITHOUT TURBO



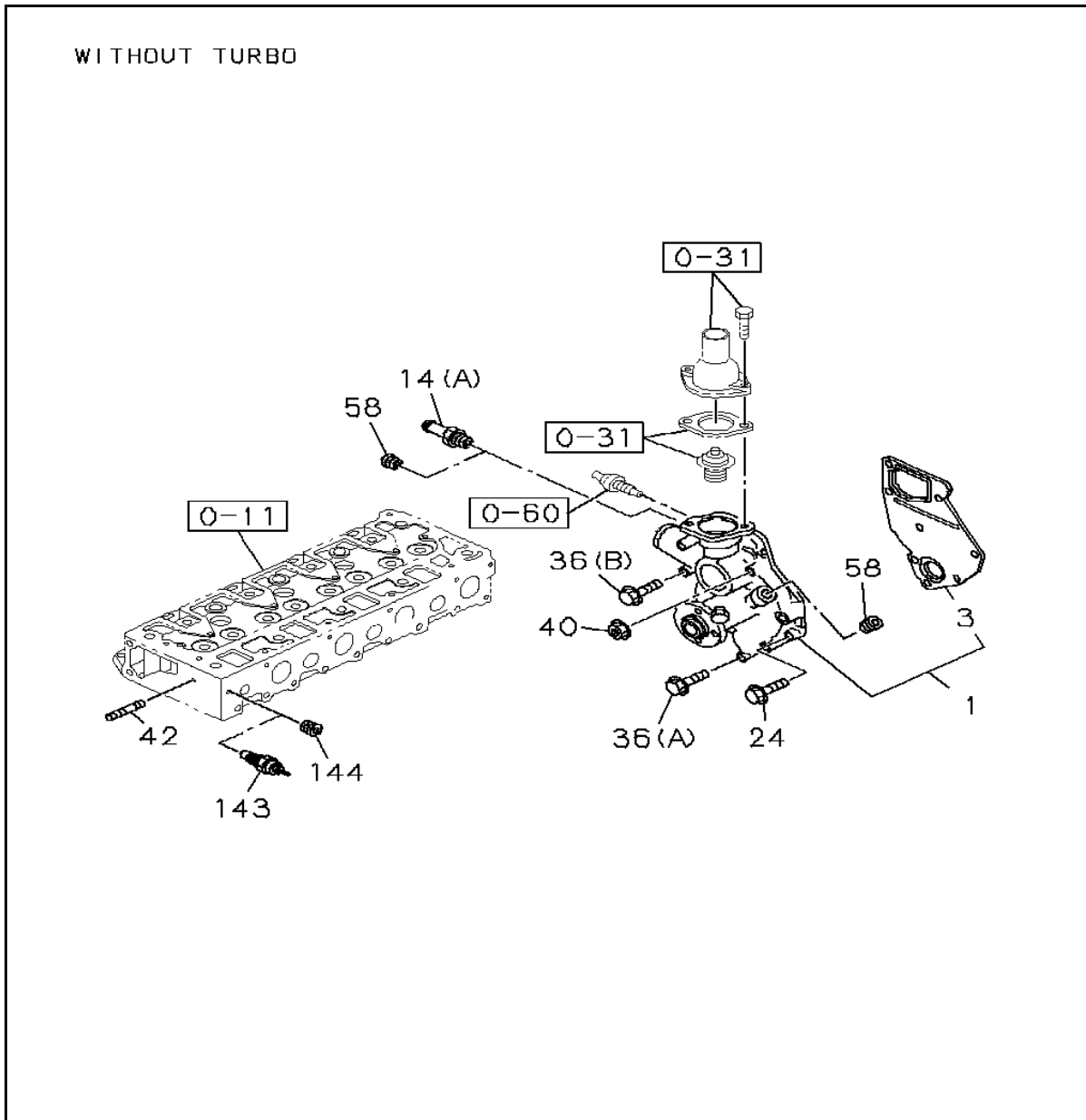
KEY No.	Part no.	qty	Part description
1 (A)	8-97117-590-1	1	MANIFOLD; EXHAUST
2	8-97126-186-0	1	GASKET; EXH MANIF TO HD ALSO INCLUDED IN GASKET SET(ENGINE)
15	0-28050-870-0	6	BOLT; EXH MANIF M8X70 FLANGE
16	9-04130-820-0	4	STUD; EXH PIPE TO MANIF M8X20 L=32
18	0-91180-208-0	2	NUT; EXH MANIF M8 FLANGE
172	8-97042-028-0	1	GASKET; EXH PIPE ALSO INCLUDED IN GASKET SET(ENGINE)

0-28 VENTILATION SYSTEM



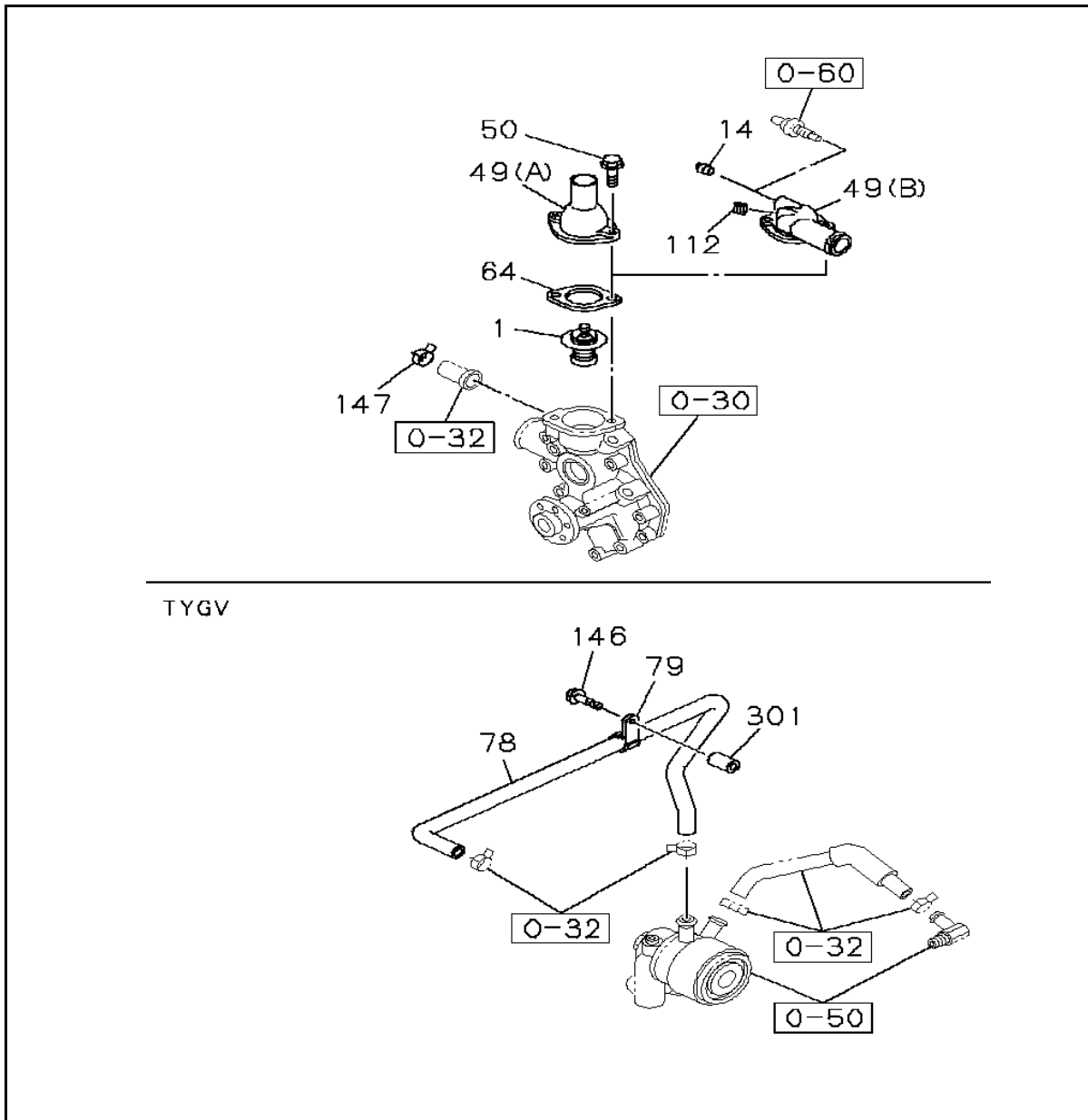
KEY No.	Part no.	qty	Part description
44	8-94121-113-0 <8-98150-355-0>	2	CLIP; HOSE,PCV ID=20.4
90	8-94238-610-0 <8-98150-358-0>	2	CLIP; RUBBER HOSE
133	8-94329-549-0	1	VALVE; PCV
143	0-36220-410-0	4	SCREW; PCV COVER M4X10 W/LK WASHER
281	8-97232-211-3	1	TANK; CATCH,PCV
282	8-98099-434-0	1	BRACKET; CATCH TANK
298	8-98099-567-0	1	HOSE; RUBBER,CATCH TANK OUT
333	8-98099-433-0	1	PIPE ASM; OIL,RETURN

0-30 WATER PUMP AND CORROSION RESISTOR



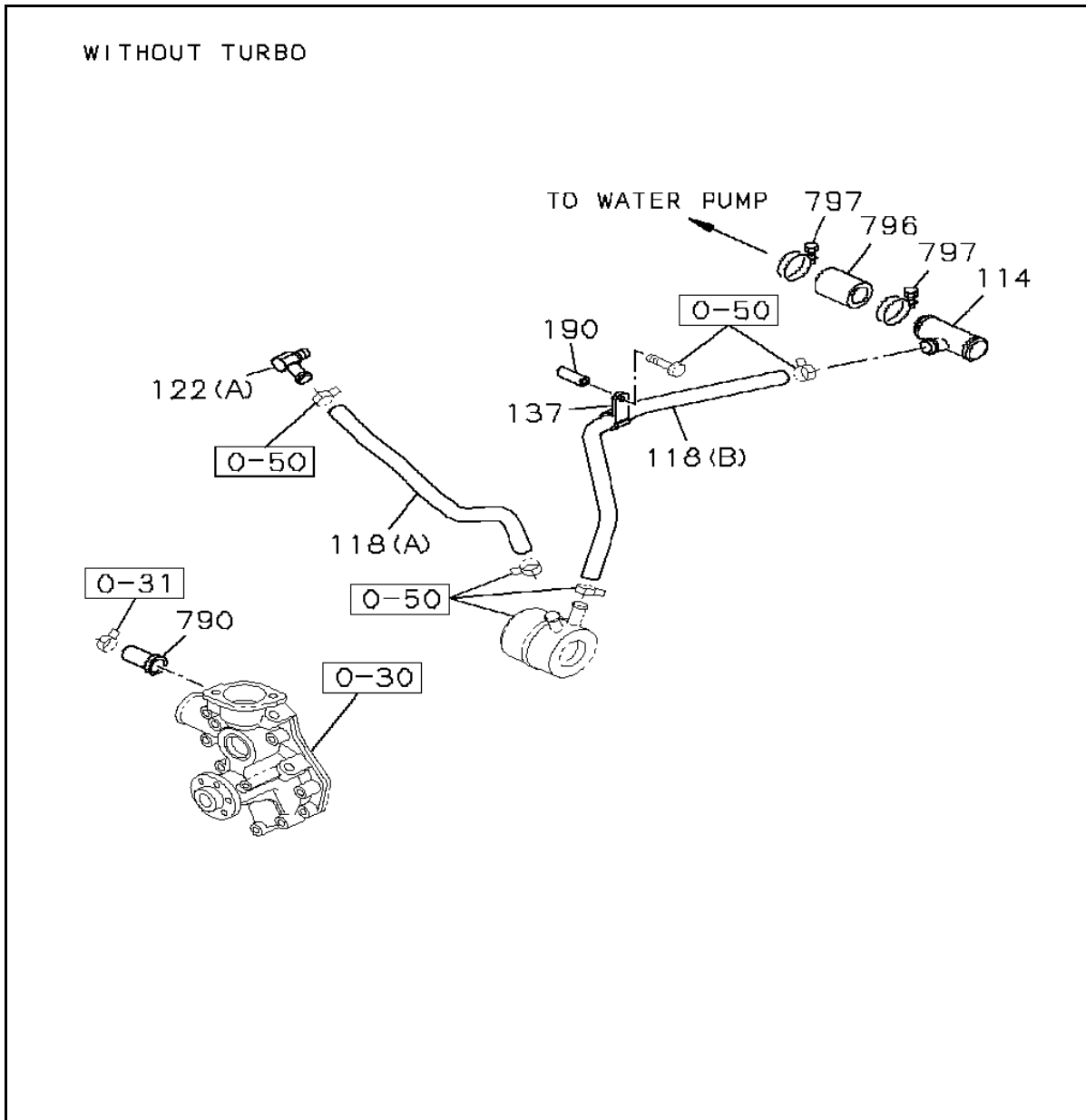
KEY No.	Part no.	qty	Part description
1	8-98126-231-1	1	PUMP ASM; WATER,W/GASKET
3	8-97289-543-0	1	GASKET; PUMP TO C/BL ALSO INCLUDED IN GASKET SET(ENGINE)
24	0-28050-845-0	1	BOLT; WATER PUMP M8X45 FLANGE
36 (A)	0-28050-840-0	2	BOLT; WATER PUMP TO C/BL M8X40 FLANGE
36 (B)	0-28060-860-0	2	BOLT; WATER PUMP TO C/BL M8X60 FLANGE
40	0-91180-208-0	2	NUT; WATER PUMP M8 FLANGE
42	0-41010-845-0	1	STUD; WATER PUMP M8X45 L=63
58	5-09605-005-0	1	PLUG; HTR PT 3/8
144	8-97369-552-1	1	PLUG; THERMOMETER PT 1/8

0-31 THERMOSTAT AND HOUSING



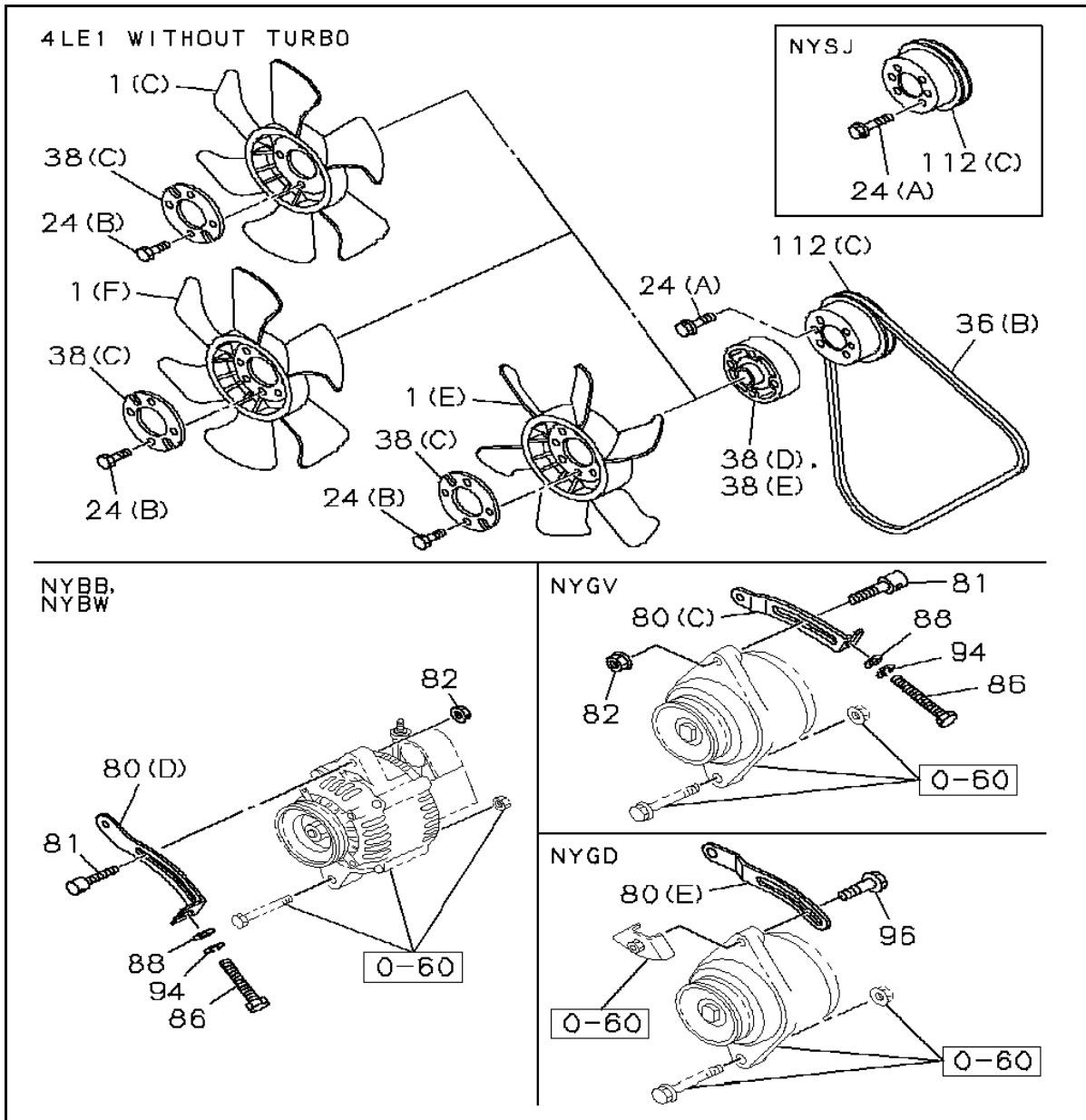
KEY No.	Part no.	qty	Part description
1	8-97361-770-0	1	THERMOSTAT W/JIGGLE VALVE
49 (A)	8-97169-015-1	1	PIPE; WATER OUTLET
50	0-28650-825-0	2	BOLT; OUTLET PIPE M8X25 FLANGE
64	8-97264-690-1	1	GASKET; OUTLET PIPE TO HSG ALSO INCLUDED IN GASKET SET(ENGINE)
78	8-98112-325-0	1	HOSE; RUBBER,WATER PIPE
79	1-09701-041-1	1	CLIP; RUBBER HOSE
146	0-28050-845-0	1	BOLT; CLIP M8X45 FLANGE
301	8-98100-665-0	1	TUBE; DISTANCE

0-32 WATER PIPING; ENGINE



KEY No.	Part no.	qty	Part description
114	8-97102-308-0	1	JOINT; WATER PIPE
118 (A)	8-97148-343-0	1	HOSE; RUBBER,OIL COOLER TO CONNECTOR
118 (B)	8-97148-345-0	1	HOSE; RUBBER,OIL COOLER TO CONNECTOR
122 (A)	8-94241-962-0 <8-94241-962-1>	1	CONNECTOR; OIL COOLER
137	1-09701-041-1	1	CLIP; HOSE,OIL COOLER
190	5-15419-036-0	1	SPACER; CLIP
796	0-03533-055-0	1	HOSE; RUBBER,CONNECTOR TO WATER PUMP L=55
797	9-09915-281-1 <9-09915-512-1>	2	CLIP; JOINT ID=45

0-33 FAN AND FAN BELT

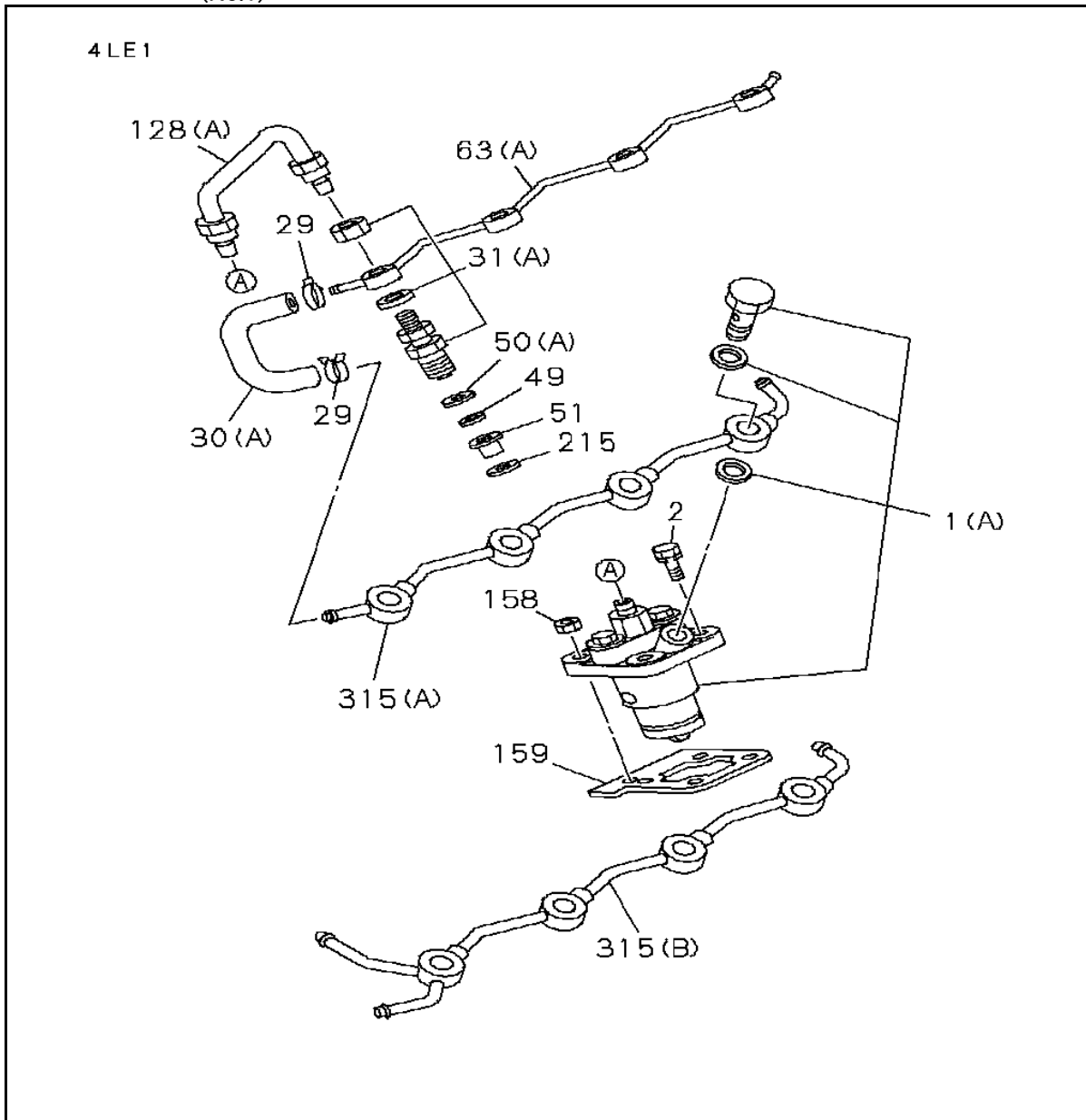


KEY No.	Part no.	qty	Part description
1 (C)	8-94483-894-1	1	FAN; COOLING 6 BLADE OD=430
1 (E)	5-13660-304-1	1	FAN; COOLING 6 BLADE OD=400
1 (F)	8-97022-810-1 <8-97022-810-0>	1	FAN; COOLING 6 BLADE OD=380
24 (A)	0-20800-612-0	2	BOLT; FAN M6X12
24 (B)	0-28050-825-0	4	BOLT; FAN M8X25 FLANGE
36 (B)	8-97224-999-0	1	BELT; COOLING FAN 1-PIECE L=840
38 (C)	8-97063-400-3	1	SPACER; FAN
38 (E)	9-89136-423-0	1	SPACER; FAN
80 (C)	8-97231-579-0	1	PLATE; ADJ
80 (E)	5-13674-104-1	1	PLATE; ADJ
81	8-97257-223-0	1	PIECE; SLIDING
82	0-91180-208-0	1	NUT; ADJ PLATE M8 FLANGE

KEY No.	Part no.	qty	Part description
86	8-97172-720-1	1	BOLT; ADJ M8X130 FLANGE
88	0-91614-708-0	1	WASHER; PL,ADJ PLATE ID=8.4 OD=22
94	0-91510-808-0	1	WASHER; LK,ADJ PLATE ID=8.2
96	0-28050-830-0	1	BOLT; ADJ PLATE M8X30 FLANGE
112 (C)	8-97227-689-0	1	PULLEY; FAN CENTER OD=108 1 GROOVE

0-40 FUEL INJECTION SYSTEM

(No.1)

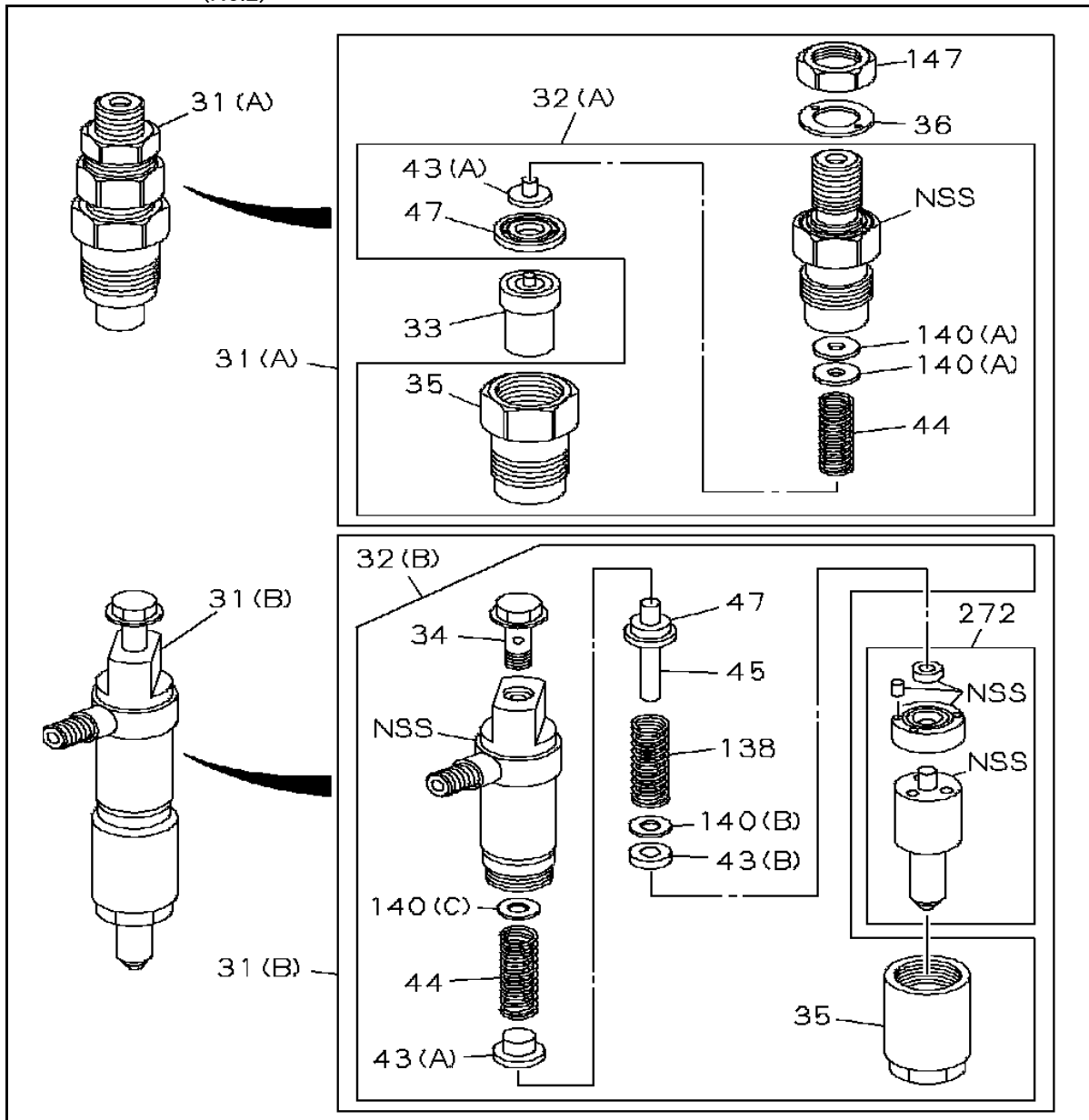


KEY No.	Part no.	qty	Part description
1 (A)	8-98098-875-0	4	PUMP ASM; INJ SEE FIG-NO 0-80 FOR COMPONENT.
2	0-28050-820-0	8	BOLT; INJ PUMP M8X20 FLANGE
29	5-09707-005-1 <1-09707-087-0>	2	CLIP; HOSE ID=11 WHITE
30 (A)	8-97046-794-1	1	HOSE; RUBBER,FUEL LEAK
31 (A)	8-97129-614-0	4	NOZZLE ASM; INJ
49	8-94106-040-3	4	WASHER; CORRUGATED,NOZZLE
50 (A)	8-94257-592-0	4	GASKET; NOZZLE HOLDER ALSO INCLUDED IN GASKET SET(ENGINE)
51	8-94106-055-1	4	SHIELD; HEAT,INJ NOZZLE
63 (A)	8-97126-188-0	1	PIPE; FUEL,NOZZLE LEAK OFF
128 (A)	8-98101-466-0	4	PIPE ASM; INJ
158	0-91180-208-0	8	NUT; INJ PUMP M8 FLANGE
159	8-97227-282-1	1	SHIM; INJ PUMP T=0.20

KEY No.	Part no.	qty	Part description
159	8-97227-283-1	1	SHIM; INJ PUMP T=0.30
159	8-97227-284-1	1	SHIM; INJ PUMP T=0.40
159	8-97227-285-1	1	SHIM; INJ PUMP T=0.50
159	8-97227-286-1	1	SHIM; INJ PUMP T=0.60
159	8-97227-287-1	1	SHIM; INJ PUMP T=0.70
159	8-97227-288-1	1	SHIM; INJ PUMP T=0.80
159	8-98114-445-0	1	SHIM; INJ PUMP T=0.90
159	8-97227-289-1	1	SHIM; INJ PUMP T=1.00
159	8-98114-446-0	1	SHIM; INJ PUMP T=1.10
159	8-97227-290-1	1	SHIM; INJ PUMP T=1.20
215	8-94257-593-0	4	GASKET; HEAT SHIELD ALSO INCLUDED IN GASKET SET(ENGINE)
315 (A)	8-97144-724-0	1	PIPE; FUEL,SUCTION
315 (B)	8-97192-098-0	1	PIPE; FUEL,SUCTION

0-40 FUEL INJECTION SYSTEM

(No.2)

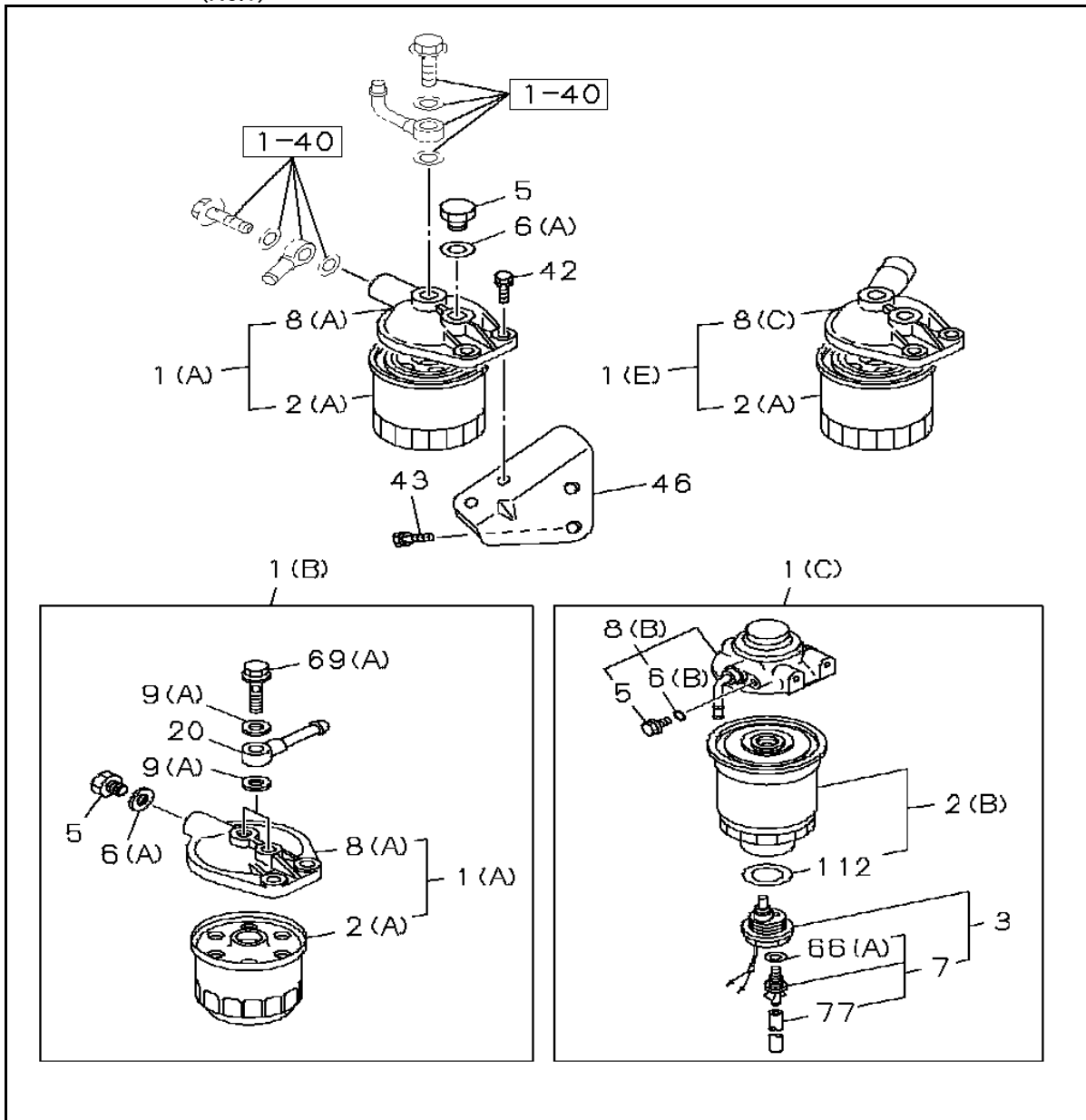


KEY No.	Part no.	qty	Part description
32 (A)	8-97360-786-0	4	HOLDER ASM; NOZZLE
32 (B)	8-97361-696-0	4	HOLDER ASM; NOZZLE
33	8-97129-644-0	4	NOZZLE; INJ
34	8-97311-683-0	4	BOLT; EYE,NOZZLE HOLDER
35	8-97130-581-0	4	NUT; NOZZLE RET,NOZZLE HOLDER
36	8-94104-993-0	4	GASKET; RETURN PIPE,NOZZLE HOLDER
43 (A)	8-94128-963-1	4	SEAT; NOZZLE SPRING,NOZZLE HOLDER
44	8-94320-302-0	4	SPRING; NOZZLE,NOZZLE HOLDER
47	8-97086-141-0	4	SPACER; NOZZLE SPRING,NOZZLE HOLDER
138	8-94174-141-0	4	SPRING; NOZZLE LWR,NOZZLE HOLDER
140 (A)	8-94176-962-0	1	SHIM; NOZZLE SPRING,NOZZLE HOLDER T=0.10
140 (A)	8-94176-963-0	1	SHIM; NOZZLE SPRING,NOZZLE HOLDER T=0.20
140 (A)	8-94176-964-0	1	SHIM; NOZZLE SPRING,NOZZLE HOLDER T=0.30
140 (A)	8-94176-965-0	1	SHIM; NOZZLE SPRING,NOZZLE HOLDER T=0.40

KEY No.	Part no.	qty	Part description
140 (A)	8-94176-966-0	1	SHIM; NOZZLE SPRING,NOZZLE HOLDER T=0.50
140 (A)	8-94176-967-0	1	SHIM; NOZZLE SPRING,NOZZLE HOLDER T=0.52
140 (A)	8-94176-968-0	1	SHIM; NOZZLE SPRING,NOZZLE HOLDER T=0.54
140 (A)	8-94176-969-0	1	SHIM; NOZZLE SPRING,NOZZLE HOLDER T=0.56
140 (A)	8-94176-970-0	1	SHIM; NOZZLE SPRING,NOZZLE HOLDER T=0.58
140 (A)	8-94176-971-0	1	SHIM; NOZZLE SPRING,NOZZLE HOLDER T=0.80
147	8-94174-344-0	4	NUT; RETURN CONNECTOR,NOZZLE HOLDER
171 (A)	8-97240-675-0	1	PUMP ASM; FUEL FEED 12V
171 (B)	8-94425-751-1	1	PUMP ASM; FUEL FEED 24V
249	8-98174-461-0	2	SCREW; FEED PUMP
397	8-94337-022-0 <8-94437-022-0>	1	REPAIR KIT; FUEL PUMP
398	8-94233-655-0	2	GROMMET; FUEL PUMP
399	8-97047-265-0	2	COLLAR; FUEL PUMP

0-41 FUEL FILTER AND BRACKET

(No.1)

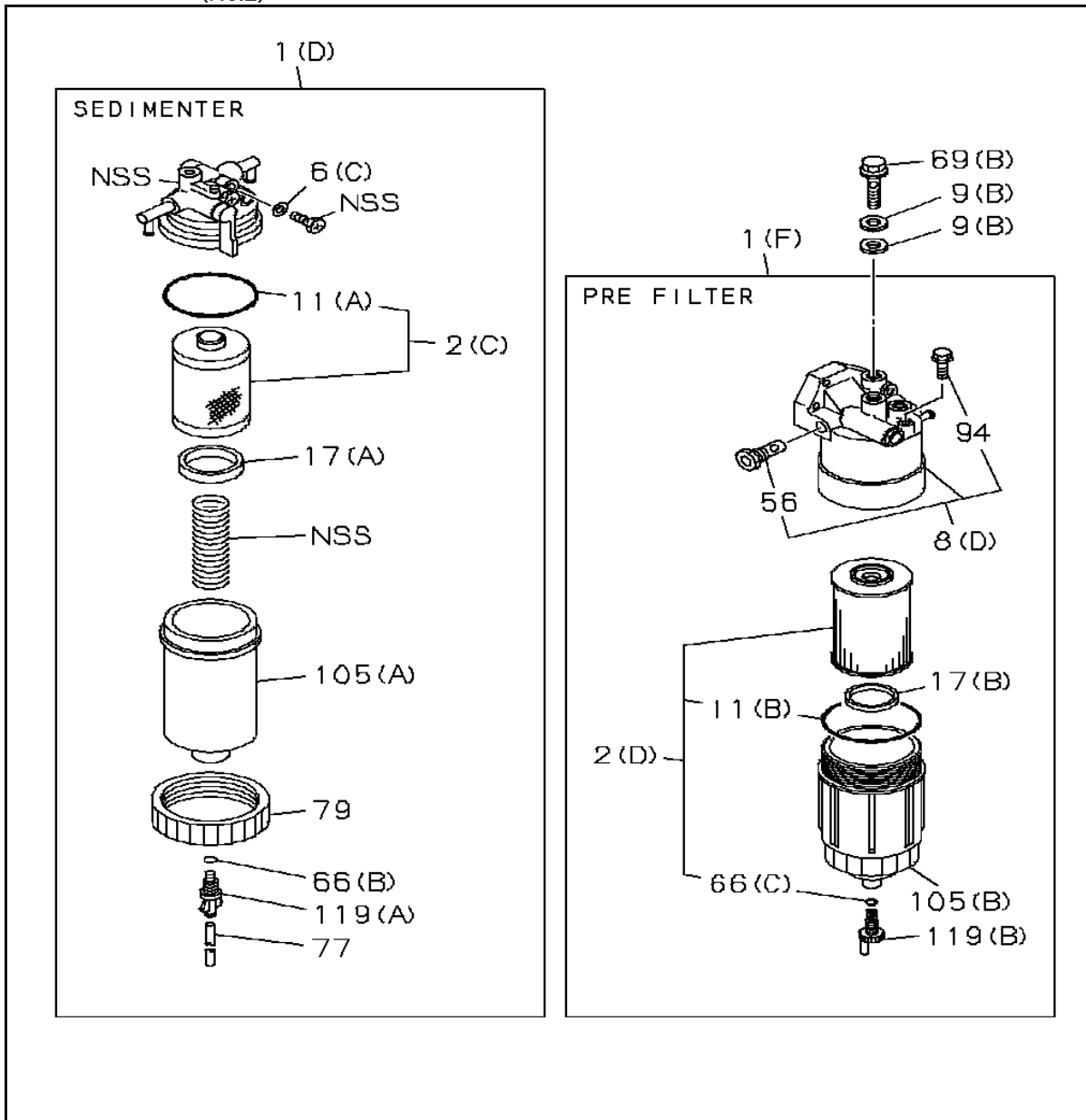


KEY No.	Part no.	qty	Part description
1 (A)	8-97014-204-1	1	FILTER ASM; FUEL MAIN
1 (B)	8-94415-077-3	1	FILTER ASM; FUEL MAIN
1 (C)	8-94367-292-3	1	FILTER ASM; FUEL MAIN
1 (E)	8-97167-811-1	1	FILTER ASM; FUEL MAIN
2 (B)	8-94369-299-3 <8-98037-480-0>	1	ELEMENT KIT; FUEL FILTER MAIN
3	8-94367-294-0	1	SENSOR ASM; FUEL FILTER MAIN
6 (A)	9-09572-014-0	1	GASKET; FUEL FILTER ID=14.2 OD=23.0
6 (B)	8-94132-675-0	1	GASKET; FUEL FILTER
7	8-94367-957-0	1	PLUG; SENSOR,FUEL FILTER
8 (A)	8-94132-948-0	1	COVER; FUEL FILTER
8 (B)	8-94367-293-4	1	COVER; FUEL FILTER

KEY No.	Part no.	qty	Part description
8 (C)	8-94396-670-0 <8-94396-670-1>	1	COVER; FUEL FILTER
9 (A)	9-09572-014-0	4	GASKET; EYE JOINT ID=14.2 OD=23.0
20	8-94148-390-0	2	JOINT; EYE,FUEL FILTER
42	0-28051-030-0	2	BOLT; FUEL FILTER M10X30 FLANGE
43	0-28151-020-0	2	BOLT; BRKT M10X20 FLANGE
46	8-97111-552-0	1	BRACKET
66 (A)	8-94167-886-0	1	GASKET; PLUG,FUEL FILTER
69 (A)	9-09906-325-1	2	BOLT; EYE,FUEL FILTER M14X29 EYE BOLT
112	5-09563-334-0 <9-09563-334-0>	1	GASKET; SENSOR TO CASE

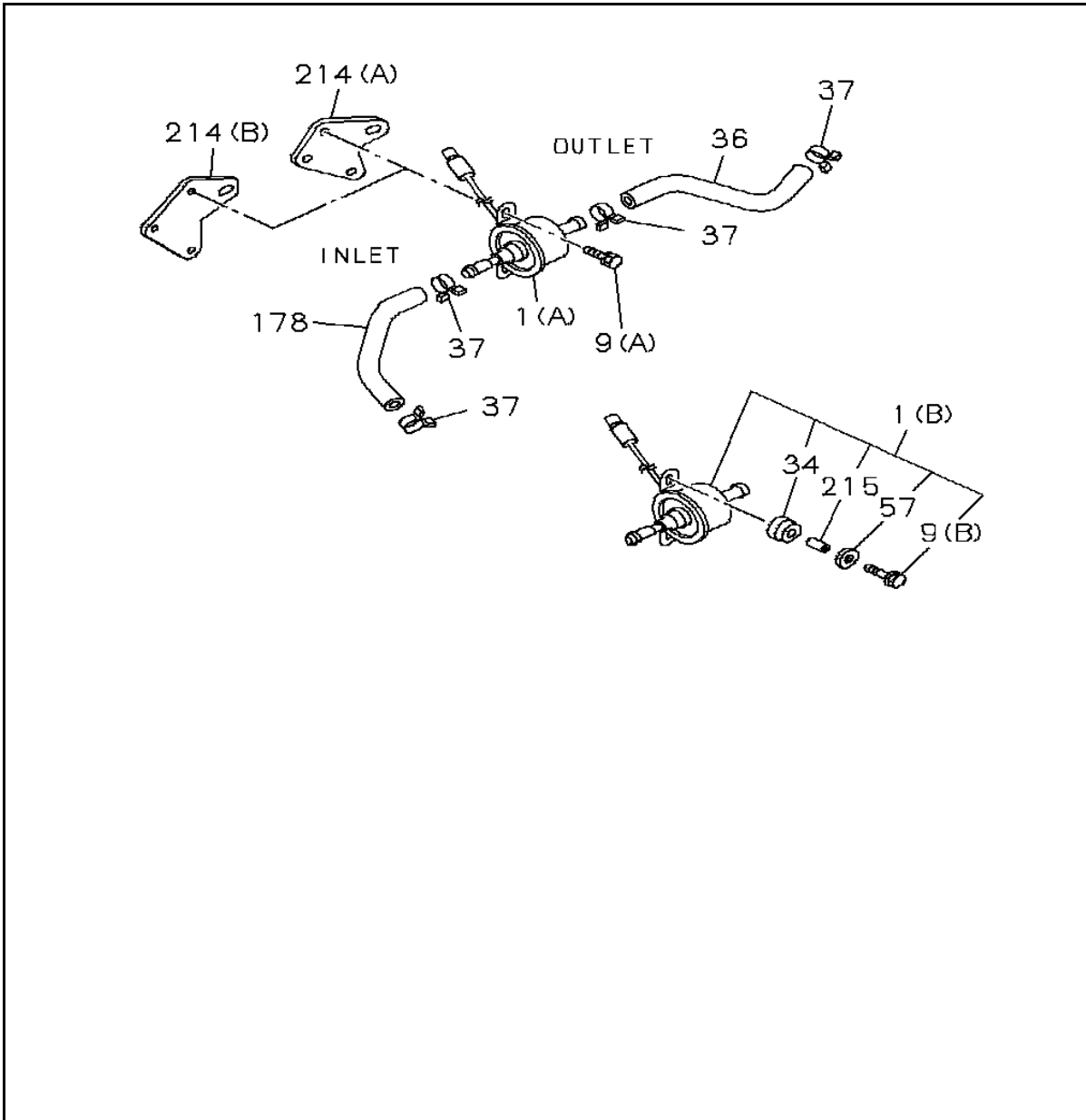
0-41 FUEL FILTER AND BRACKET

(No.2)



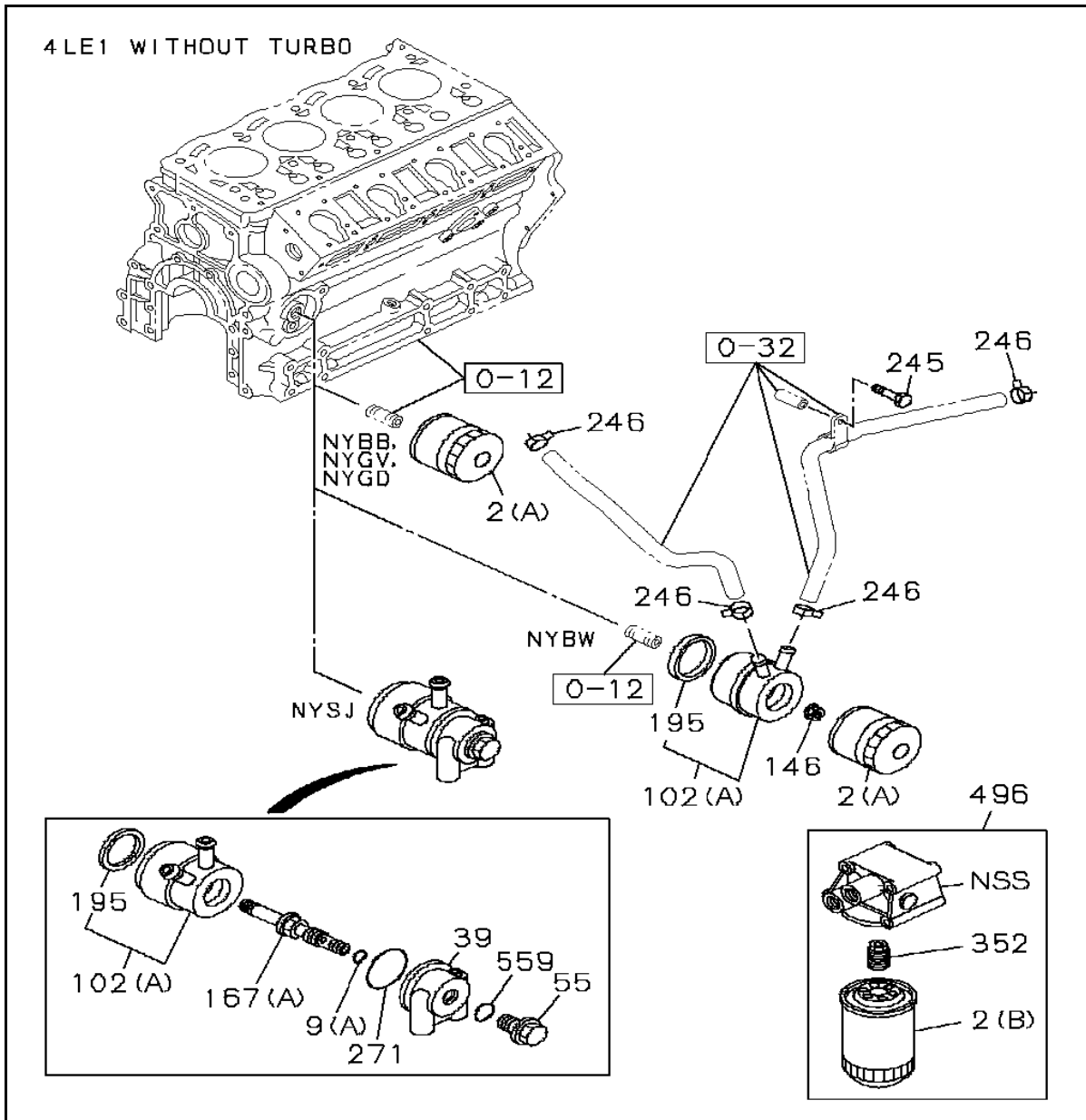
KEY No.	Part no.	qty	Part description
1 (F)	8-98075-855-2	1	FILTER ASM; FUEL PRE FILTER
2 (D)	8-98074-288-0	1	ELEMENT KIT; FUEL FILTER PRE FILTER
8 (D)	8-98076-261-0	1	COVER; FUEL FILTER
9 (B)	1-09630-086-0	4	GASKET; EYE JOINT
11 (B)	8-98008-842-0	1	GASKET; CASE TO BODY,FUEL FILTER
17 (B)	8-98008-849-0	1	FLOAT; FUEL FILTER
56	8-98076-256-0	1	PLUG; FUEL FILTER
66 (C)	8-98074-297-0	1	GASKET; PLUG,FUEL FILTER
69 (B)	1-09675-095-1	2	BOLT; EYE,FUEL FILTER
94	8-98008-846-0	1	VALVE; FUEL FILTER
105 (B)	8-98074-290-1	1	CASE; FUEL FILTER
119 (B)	8-98074-292-0	1	PLUG; DRAIN,FUEL FILTER

0-42 FUEL PUMP AND PIPE



KEY No.	Part no.	qty	Part description
1 (A)	8-97183-013-0	1	PUMP ASM; FUEL
1 (B)	8-97149-182-0	1	PUMP ASM; FUEL
9 (A)	0-28080-614-0	2	BOLT; FUEL PUMP M6X14 FLANGE
9 (B)	9-01910-628-0 <0-50040-628-0>	2	BOLT; FUEL PUMP M6X28
34	8-94233-655-0	2	RUBBER; MTG,FUEL PUMP BRKT
57	8-94233-657-0	2	WASHER; PL,PUMP BRKT
178	8-97111-570-2	1	HOSE; RUBBER
214 (A)	8-97376-746-0	1	BRACKET; FUEL PUMP
214 (B)	8-97166-475-0	1	BRACKET; FUEL PUMP
215	8-94238-907-0	2	COLLAR; MIG FUEL PUMP

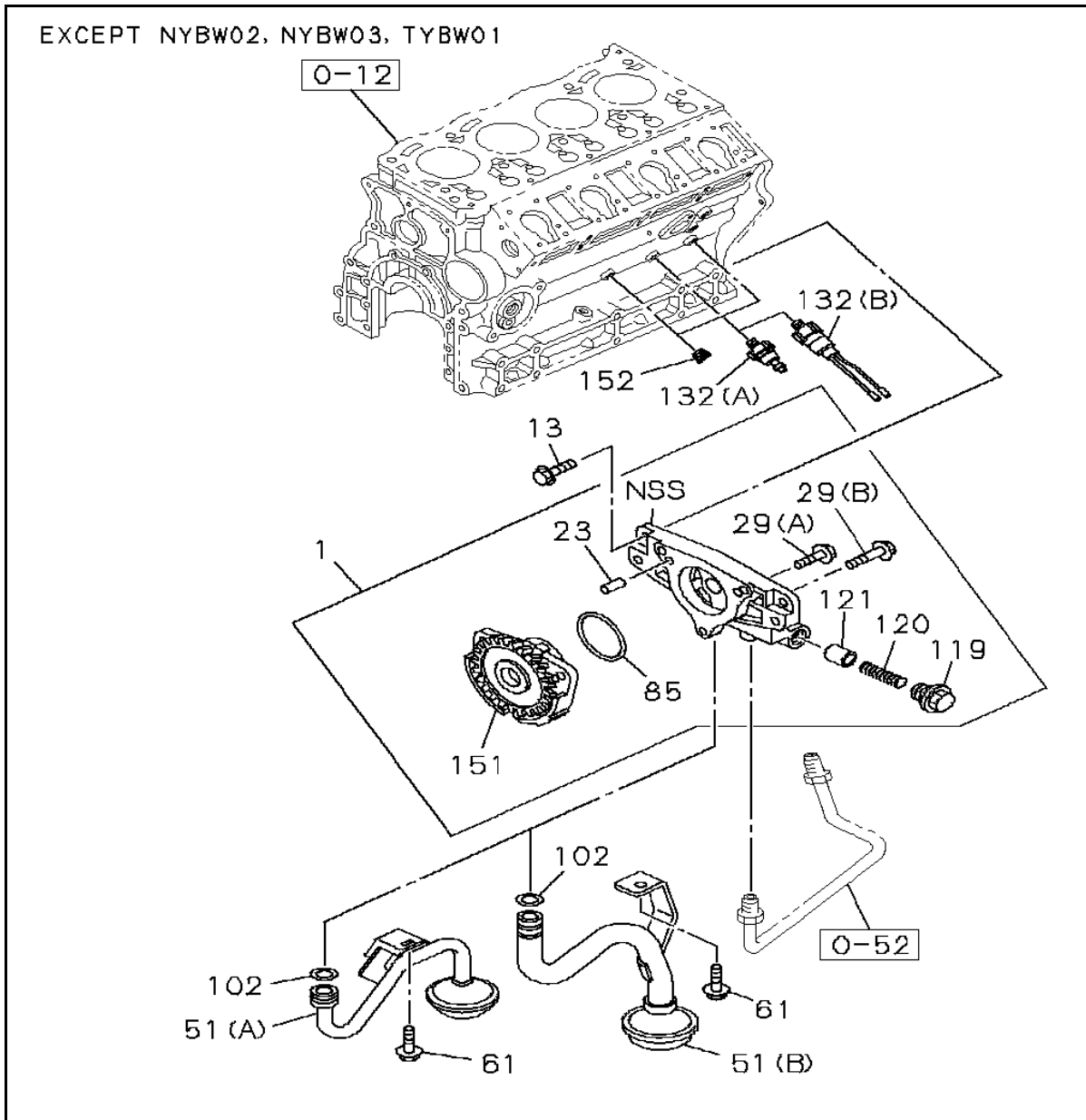
0-50 OIL COOLER AND OIL FILTER



KEY No.	Part no.	qty	Part description
2 (A)	8-94456-741-2	1	ELEMENT; OIL FILTER
2 (B)	8-98075-676-0 <8-98075-676-1>	1	ELEMENT; OIL FILTER
9 (A)	1-09623-588-0	1	GASKET; CENTER BOLT ALSO INCLUDED IN GASKET SET(ENGINE)
39	8-98080-546-0	1	COVER; OIL COOLER
55	8-98048-968-0	1	PLUG; OIL COOLER
102 (A)	8-97102-320-0	1	COOLER ASM; OIL
146	8-94368-501-0	1	NUT; OIL COOLER
167 (A)	8-98048-967-1	1	BOLT; CENTER
245	8-97015-522-0 <0-50540-860-0>	1	BOLT; CLIP,OIL COOLER HOSE
246	8-94466-382-0	4	CLIP; OIL COOLER HOSE
271	1-09623-565-0	1	GASKET; COVER TO COOLER ID=59.6 ALSO INCLUDED IN GASKET SET(ENGINE)
352	8-98075-720-0	1	ADAPTER; OIL FILTER
496	8-98075-671-0	1	FILTER ASM; OIL

KEY No.	Part no.	qty	Part description
559	8-94396-679-0	1	GASKET; PLUG,OIL PORT COVER ID=31.2 ALSO INCLUDED IN GASKET SET(ENGINE)

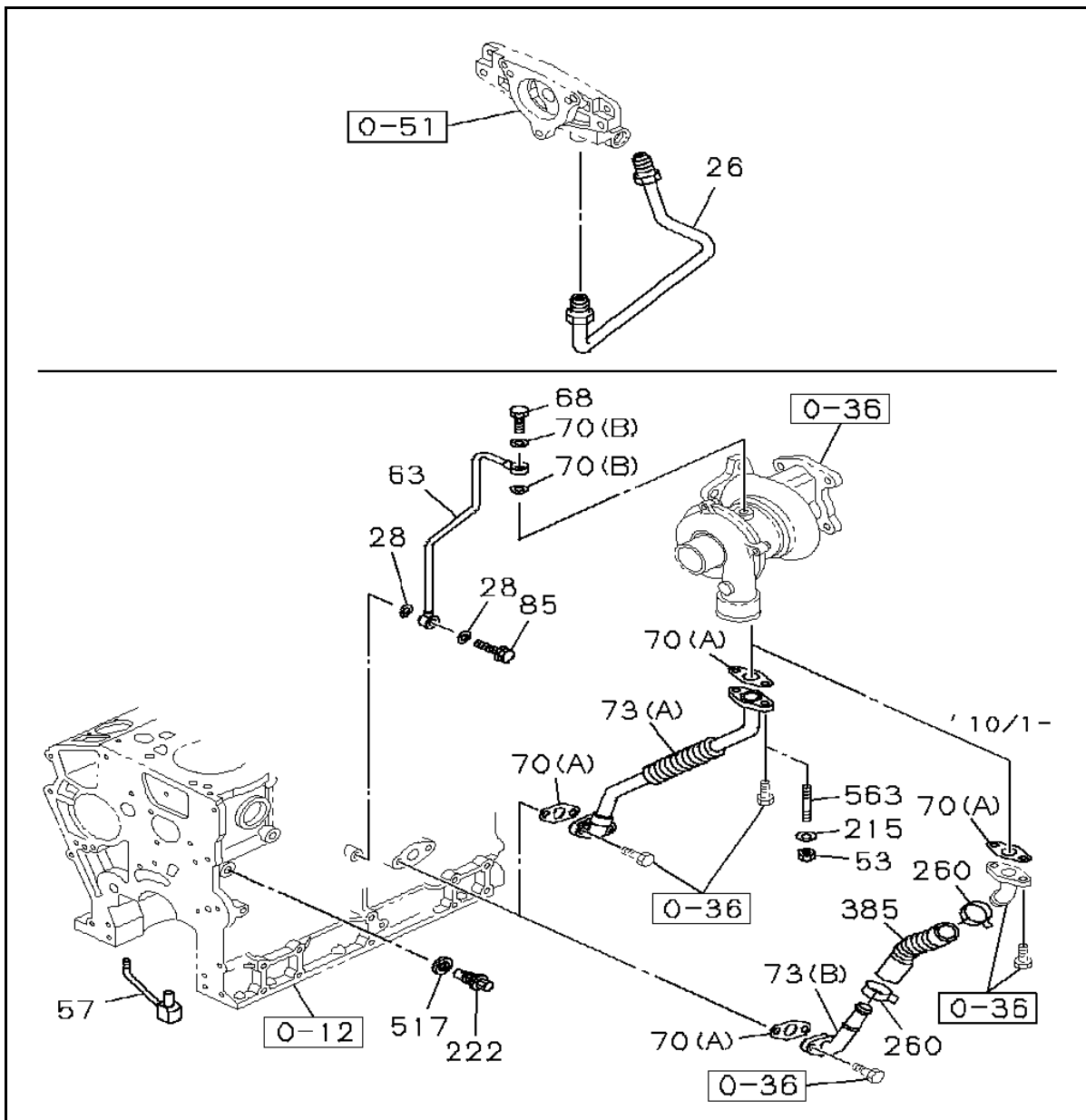
0-51 OIL PUMP AND OIL STRAINER



KEY No.	Part no.	qty	Part description
1	8-97048-809-7	1	PUMP ASM; OIL
13	0-28050-830-0	4	BOLT; OIL PUMP TO C/BL M8X30 FLANGE
23	9-08150-616-0	2	PIN; BODY,OIL PUMP
29 (A)	0-28050-630-0	2	BOLT; OIL PUMP M6X30 FLANGE
29 (B)	0-28050-650-0	1	BOLT; OIL PUMP M6X50 FLANGE
51 (A)	8-97117-299-0	1	STRAINER & PIPE ASM; OIL
51 (B)	8-98097-956-0	1	STRAINER & PIPE ASM; OIL
61	0-28050-816-0	1	BOLT; OIL STRAINER M8X16 FLANGE
85	8-97109-679-0	1	GASKET; OIL PUMP ALSO INCLUDED IN GASKET SET(ENGINE)
102	1-09623-496-0	1	GASKET; STRAINER ALSO INCLUDED IN GASKET SET(ENGINE)
119	8-94104-615-0	1	PLUG; RELIEF VLV
120	8-97113-332-0	1	SPRING; RELIEF VLV
121	8-94235-567-1	1	VALVE; RELIEF,OIL PUMP

KEY No.	Part no.	qty	Part description
132 (A)	9-82720-069-0	1	SWITCH; OIL PRESSURE
151	8-97044-813-3	1	PUMP SUB ASM; OIL
152	8-97369-552-1	2	PLUG PT 1/8

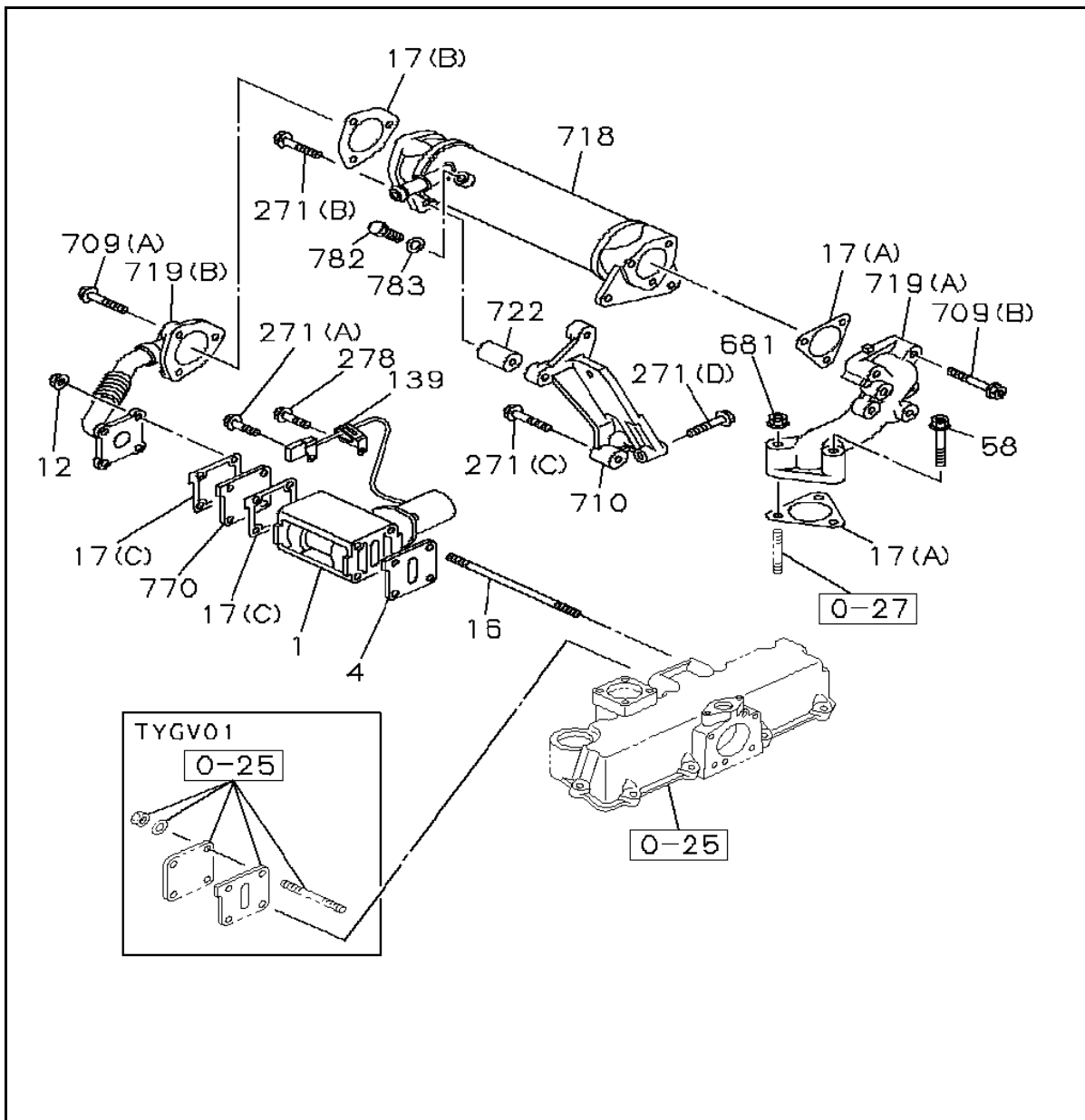
0-52 OIL AND VACUUM PIPING; ENGINE



KEY No.	Part no.	qty	Part description
26	8-97045-400-0	1	PIPE; OIL,PUMP TO C/BL
28	9-09571-410-0	2	GASKET; OIL PIPE ID=10.2 OD=16.0 ALSO INCLUDED IN GASKET SET(ENGINE)
53	0-91180-106-0	2	NUT; OIL PIPE M6 FLANGE
57	8-98090-314-0	4	PIPE; OIL,OIL JET
63	8-98095-978-0	1	PIPE; OIL,TURBOCHARGER FEED
70 (A)	8-94362-672-1	2	GASKET; OIL PIPE,TURBOCHARGER ALSO INCLUDED IN GASKET SET(ENGINE)
70 (B)	9-09571-410-0	2	GASKET; OIL PIPE,TURBOCHARGER ID=10.2 OD=16.0 ALSO INCLUDED IN GASKET SET(ENGINE)
73 (A)	8-98030-564-0	1	PIPE ASM; OIL,TURBOCHARGER RETURN
73 (B)	8-98163-461-0	1	PIPE ASM; OIL,TURBOCHARGER RETURN
85	9-09906-173-1	1	BOLT; EYE,OIL PIPE FIX M10X25
222	8-97175-703-1	1	VALVE ASM; CHECK
260	8-94125-862-1	2	CLIP; HOSE,TURBOCHARGER RETURN

KEY No.	Part no.	qty	Part description
385	8-98180-683-0	1	HOSE; RUBBER,OIL PIPE,TURBOCHARGER
517	9-09571-416-0	1	GASKET; CHECK VLV ID=16.2 OD=24 ALSO INCLUDED IN GASKET SET(ENGINE)
563	0-41010-620-0	2	STUD; OIL PIPE M6X20 L=28

0-57 EMISSION PIPING

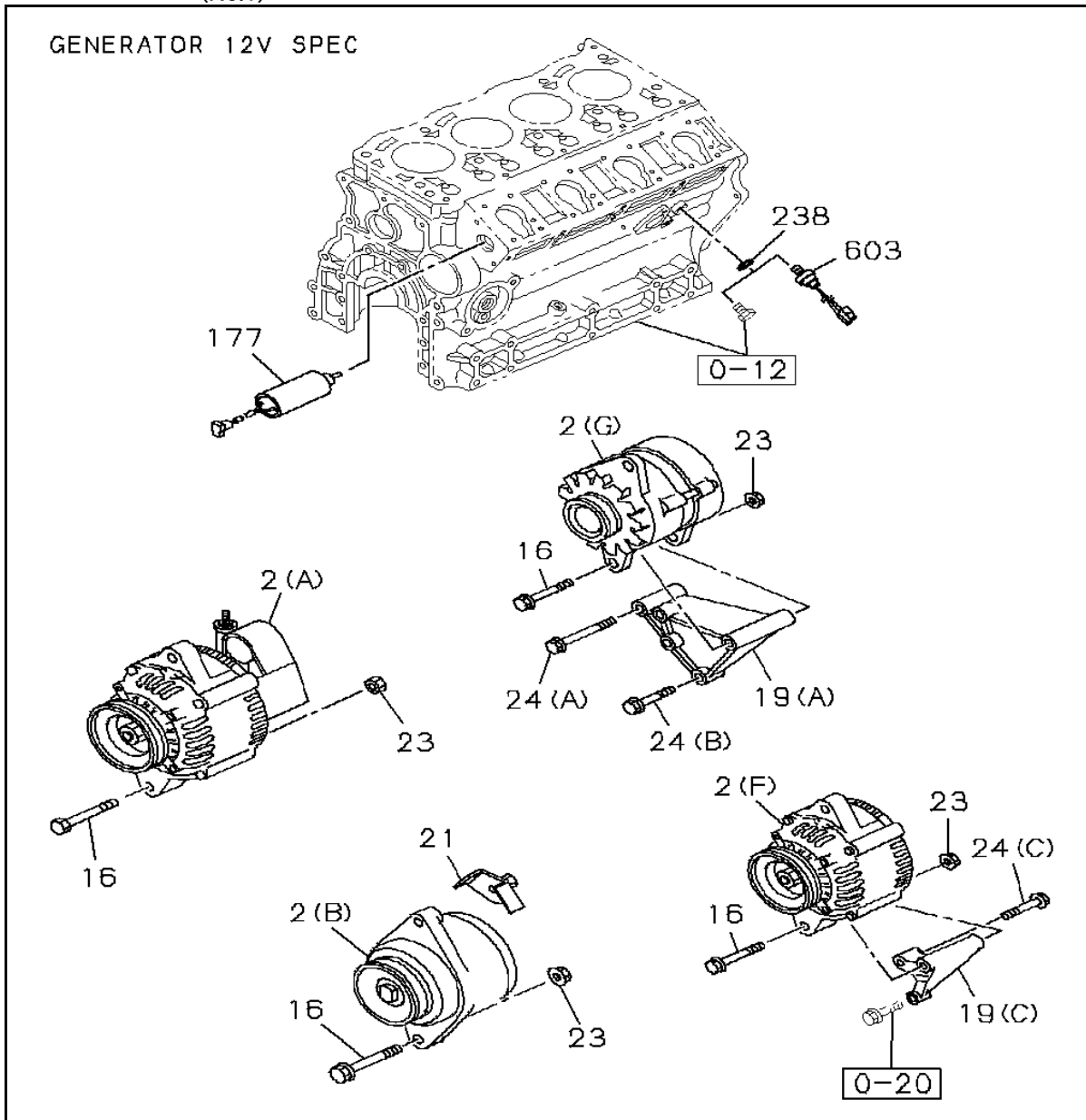


KEY No.	Part no.	qty	Part description
4	8-98030-536-0	1	GASKET; EGR VALVE ALSO INCLUDED IN GASKET SET(ENGINE)
12	0-91180-108-0	4	NUT; EGR VLV M8 FLANGE
16	5-09300-068-1	4	STUD; EGR VALVE M8X135 L=146
17 (A)	8-97367-918-0	2	GASKET; EGR PIPE ALSO INCLUDED IN GASKET SET(ENGINE)
17 (B)	8-97601-836-0	1	GASKET; EGR PIPE ALSO INCLUDED IN GASKET SET(ENGINE)
17 (C)	8-98030-533-0	2	GASKET; EGR PIPE ALSO INCLUDED IN GASKET SET(ENGINE)
58	8-98011-696-1	1	BOLT; PIPE M8X60 FLANGE
139	8-97329-631-0	1	CLIP; HARNESS
271 (A)	0-28050-610-0	1	BOLT; BRKT M6X10 FLANGE
271 (C)	0-28050-835-0	1	BOLT; BRKT M8X35 FLANGE

KEY No.	Part no.	qty	Part description
271 (D)	0-28050-840-0	1	BOLT; BRKT M8X40 FLANGE
278	0-28050-610-0	1	BOLT; CLIP M6X10 FLANGE
681	8-97161-607-0	2	NUT; EGR PIPE M8 FLANGE
709 (A)	8-97378-076-0	3	BOLT; EGR COOLER M8X18 FLANGE
709 (B)	8-98065-481-0	3	BOLT; EGR COOLER M8X43 FLANGE
710	8-98030-526-1	1	BRACKET; EGR COOLER
722	8-97305-081-0	2	SPACER; EGR COOLER
782	8-98072-712-0	1	PLUG; EGR COOLER
783	9-09571-410-0	1	GASKET; PLUG ID=10.2 OD=16.0 ALSO INCLUDED IN GASKET SET(ENGINE)

0-60 ENGINE ELECTRICAL CONTROL PARTS

(No.1)

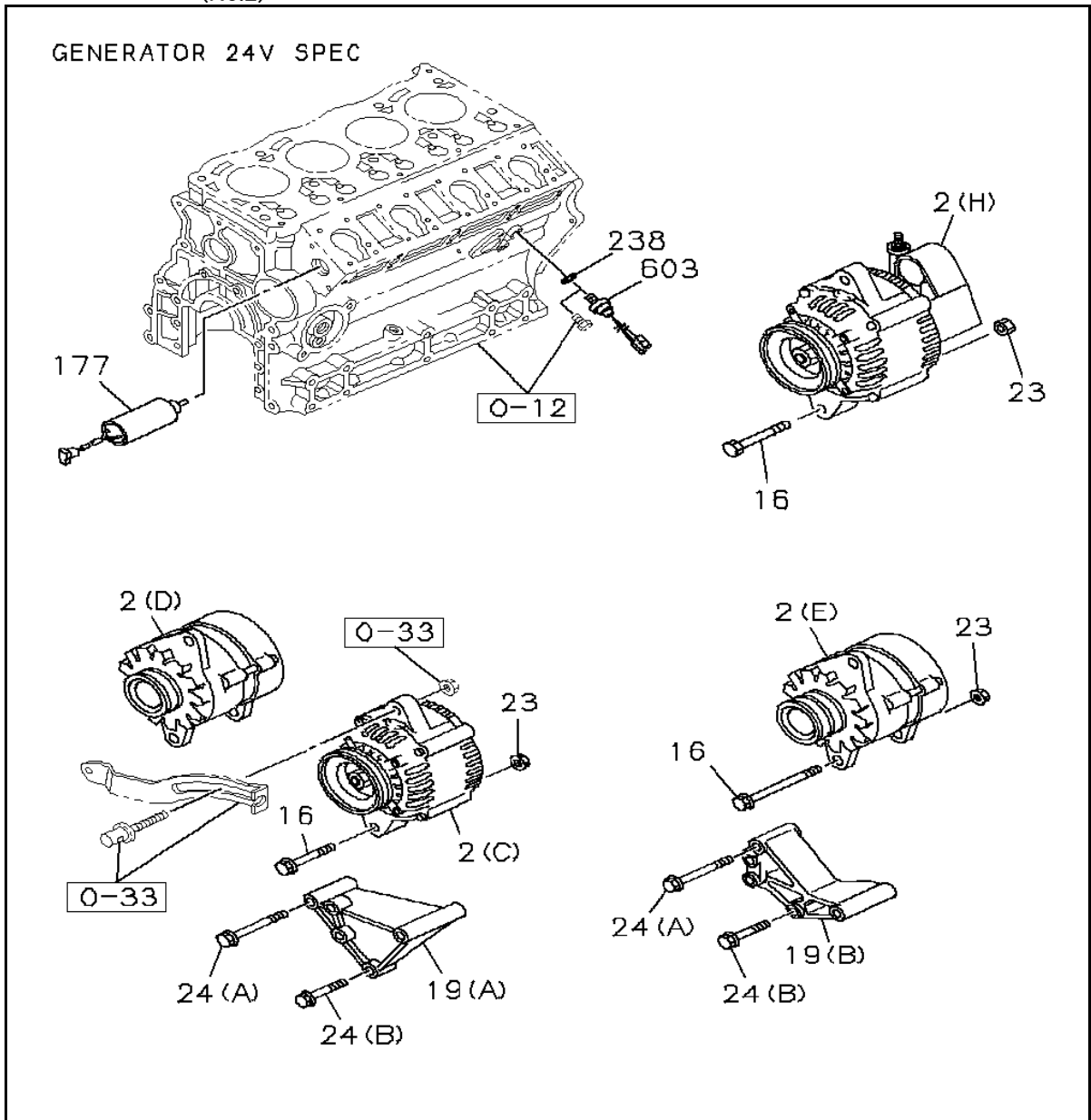


KEY No.	Part no.	qty	Part description
2 (A)	8-97225-117-0	1	GENERATOR ASM 12V-35A DENSO SEE FIG-NO 0-66 FOR COMPONENT.
2 (B)	8-98156-527-0	1	GENERATOR ASM 12V-20A HITACHI SEE FIG-NO 0-66 FOR COMPONENT.
2 (F)	8-97228-318-0	1	GENERATOR ASM 12V-50A HITACHI SEE FIG-NO 0-66 FOR COMPONENT.
2 (G)	8-94423-756-0	1	GENERATOR ASM 12V-35A HITACHI SEE FIG-NO 0-66 FOR COMPONENT.
16	0-28051-070-0	1	BOLT; GEN M10X70 FLANGE
19 (A)	8-98048-890-0	1	BRACKET; GEN
19 (C)	8-98114-721-0	1	BRACKET; GEN
21	8-97378-857-0	1	BRACKET; GEN
23	0-91180-210-0	1	NUT; GEN M10 FLANGE

KEY No.	Part no.	qty	Part description
24 (A)	0-28050-870-0	1	BOLT; GEN BRKT M8X70 FLANGE
24 (B)	0-28051-045-0	1	BOLT; GEN BRKT M10X45 FLANGE
24 (C)	0-28051-050-0	1	BOLT; GEN BRKT M10X50 FLANGE
177	8-97329-568-0	1	SOLENOID ASM; ENG STOP 12V
238	9-09572-014-0	1	GASKET; PICKUP ID=14.2 OD=23.0 ALSO INCLUDED IN GASKET SET(ENGINE)
603	8-94126-822-0	1	SENSOR; TACHO

0-60 ENGINE ELECTRICAL CONTROL PARTS

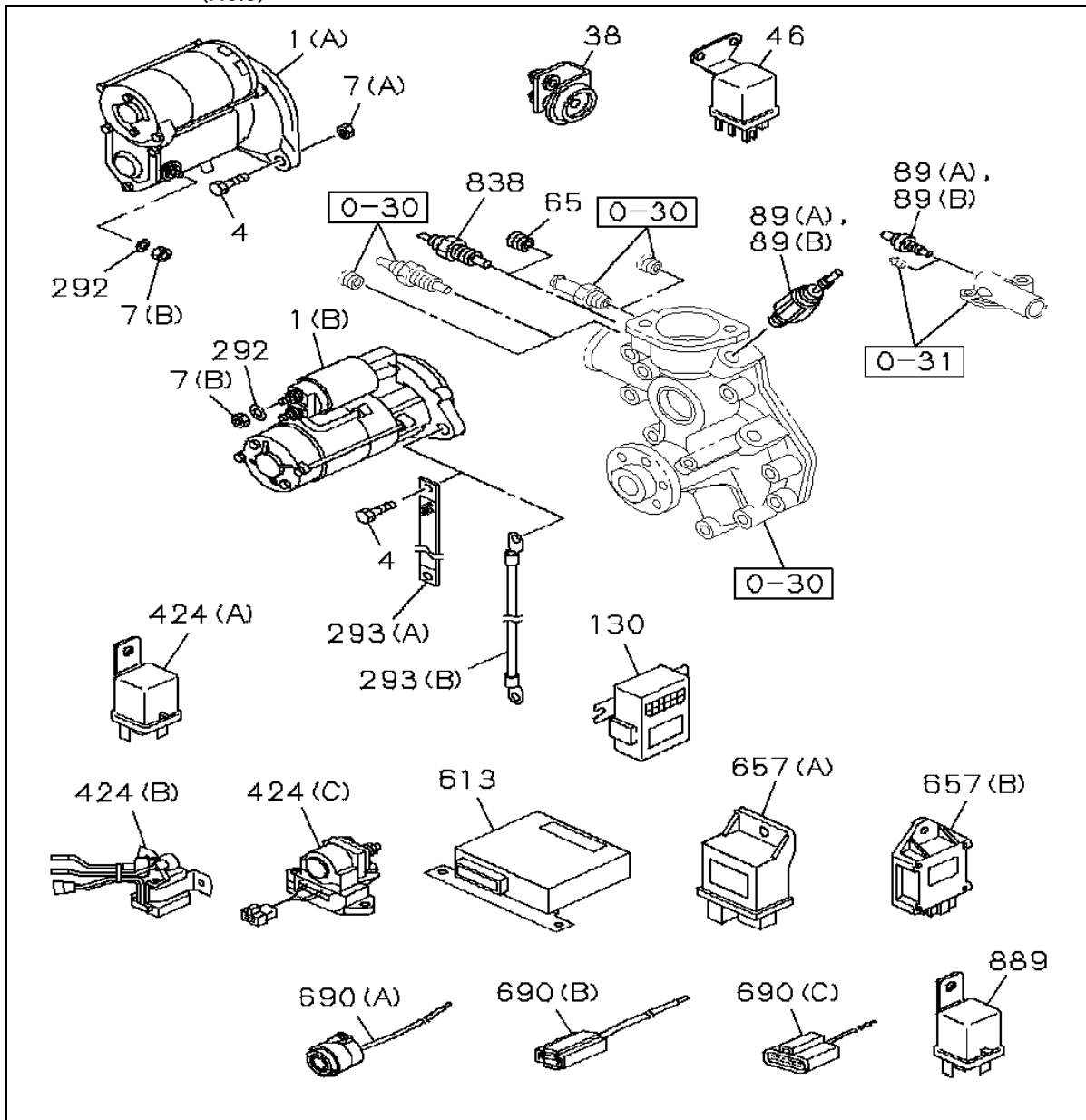
(No.2)



KEY No.	Part no.	qty	Part description
2 (C)	8-97182-289-2	1	GENERATOR ASM 24V-30A MITSUBISHI SEE FIG-NO 0-66 FOR COMPONENT.
2 (D)	8-97258-769-0	1	GENERATOR ASM 24V-15A HITACHI SEE FIG-NO 0-66 FOR COMPONENT.
2 (E)	8-98089-063-1	1	GENERATOR ASM 24V-50A NIKKO SEE FIG-NO 0-66 FOR COMPONENT.
2 (H)	8-97233-412-1	1	GENERATOR ASM 24V-20A DENSO SEE FIG-NO 0-66 FOR COMPONENT.
19 (B)	8-98095-169-0	1	BRACKET; GEN

0-60 ENGINE ELECTRICAL CONTROL PARTS

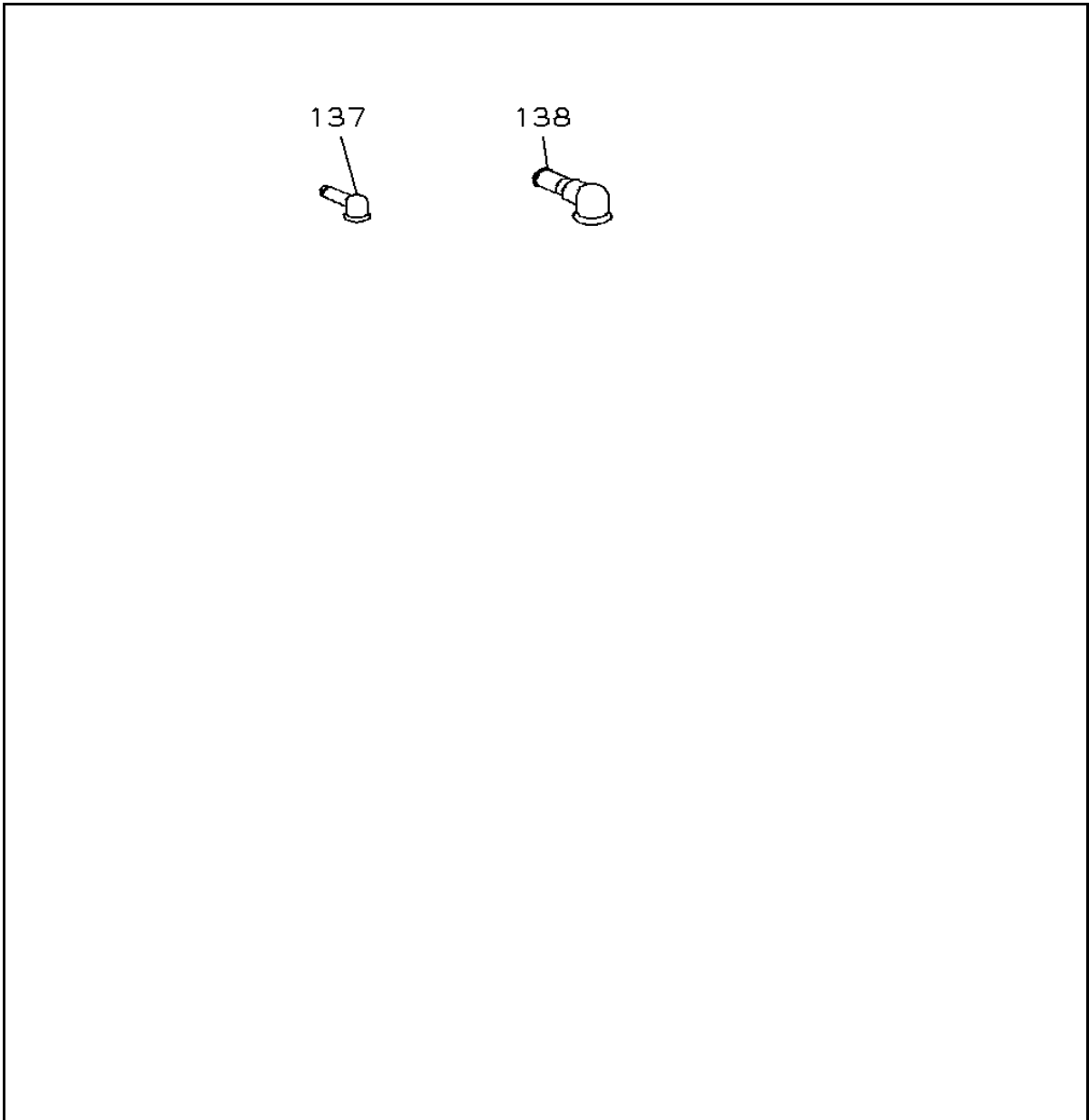
(No.3)



KEY No.	Part no.	qty	Part description
1 (A)	8-97112-865-2	1	STARTER ASM 12V-2.0KW DENSO SEE FIG-NO 0-65 FOR COMPONENT.
4	0-28151-230-0	2	BOLT; STARTER M12X30 FLANGE
7 (A)	0-91180-212-0	2	NUT; STARTER M12
7 (B)	0-91111-508-0	1	NUT; STARTER M8
38	8-94173-948-0	1	RESISTOR; CONT,GLOW PLUG
46	8-94248-161-0	1	RELAY; GLOW PLUG
65	8-97369-552-1	1	PLUG; SENSOR HOLE
89 (A)	8-94132-331-0	1	SWITCH; OVER HEAT WARNING
89 (B)	8-97125-600-1	1	SWITCH; OVER HEAT WARNING
292	0-91510-808-0	1	WASHER; LK,STARTER ID=8.2
293 (B)	9-82932-211-0	1	CABLE; STARTER EARTH
424 (A)	5-82550-029-0	1	RELAY; SAFETY,STARTER 12V

KEY No.	Part no.	qty	Part description
424 (C)	8-97115-234-1	1	RELAY; SAFETY,STARTER 24V
613	8-97325-912-0	1	CONTROL UNIT; ENG
657 (B)	8-97040-501-0	1	TIMER; GLOW PLUG 12V
690 (A)	8-97091-540-0	1	CONNECTOR
690 (B)	8-97105-430-0	1	CONNECTOR
690 (C)	8-97105-431-0	1	CONNECTOR
838	8-97063-301-0	1	SENSOR; THERMO,QOS
889	5-82550-030-0	1	RELAY; BLACK 24V

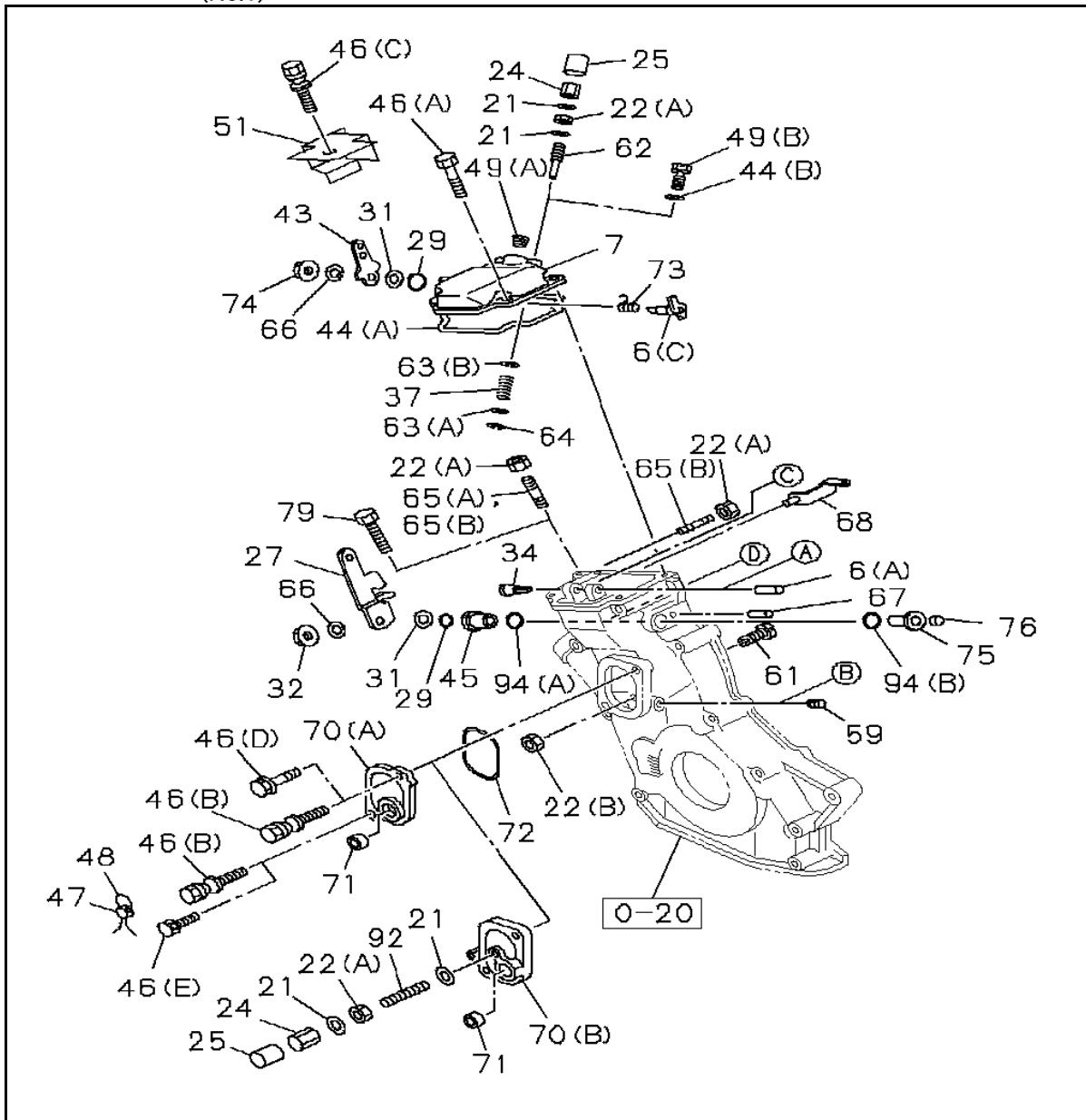
0-61 BATTERY AND BATTERY CABLE



KEY No.	Part no.	qty	Part description
138	9-82951-332-0 <1-82699-122-0>	1	CAP; BATTERY CABLE

0-89 TIMING CHAIN CASE

(No.1)



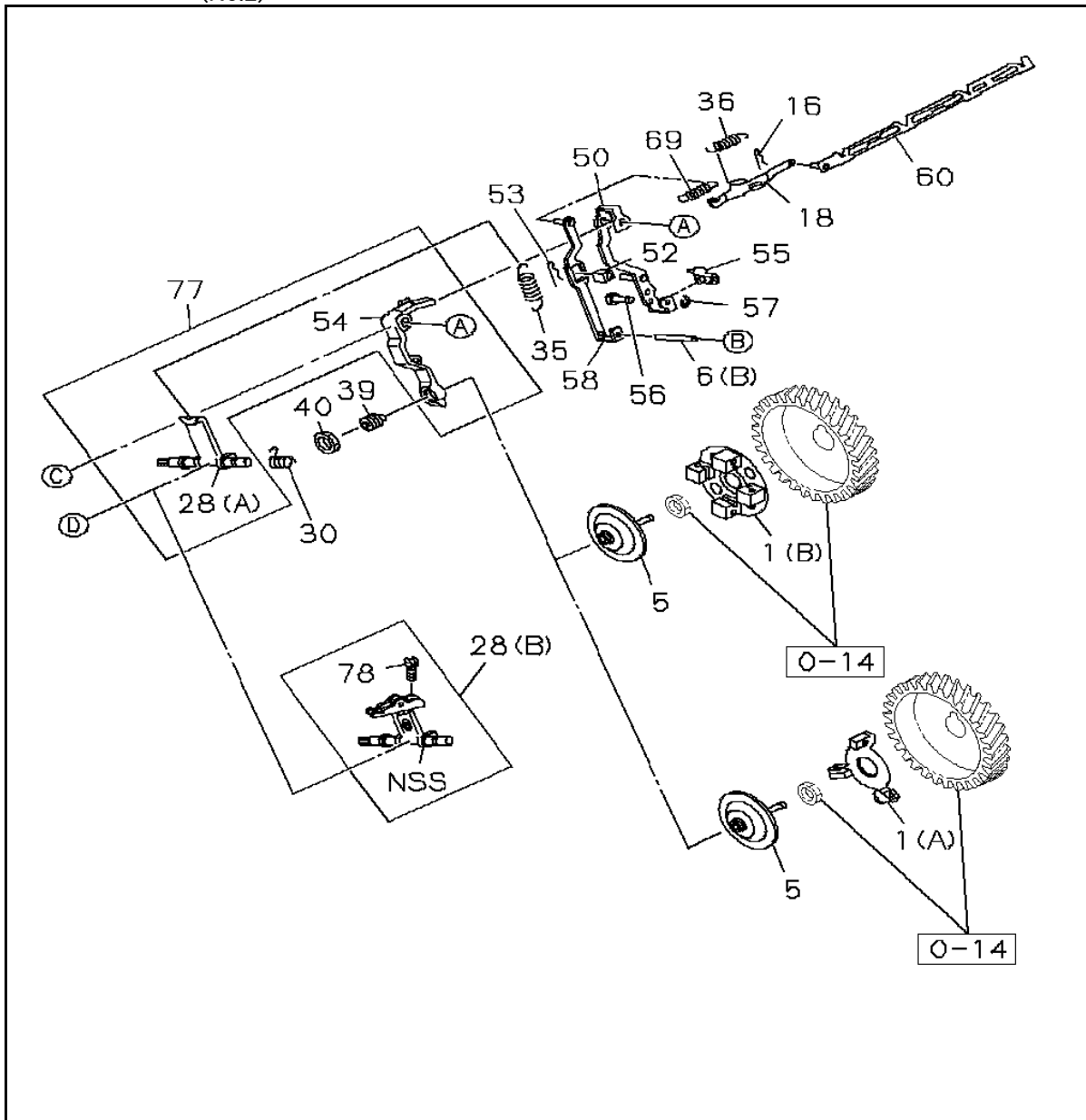
KEY No.	Part no.	qty	Part description
6 (A)	9-08150-850-0	1	SHAFT; LEVER
6 (C)	8-97016-446-0	1	SHAFT; LEVER
7	8-98113-804-0	1	COVER; GOV SHAFT
21	5-09503-132-1	2	GASKET; SCREW ALSO INCLUDED IN GASKET SET(ENGINE)
22 (A)	0-91111-506-0	3	NUT; SCREW M6
22 (B)	0-91110-506-0	1	NUT; SCREW M6
24	5-09400-048-0	1	NUT; CAP,SCREW
25	5-15669-002-1	1	CAP; IDLE SET
27	8-97049-328-1	1	LEVER; CONT
29	1-09623-055-0	2	GASKET; SHAFT,CONT ID=9.8 ALSO INCLUDED IN GASKET SET(ENGINE)
31	5-09503-135-0	2	WASHER; THRUST,LEVER
32	0-91110-508-0	1	NUT; LEVER TO SHAFT M8
34	5-15729-239-2	1	EYE; START SPR

KEY No.	Part no.	qty	Part description
37	8-97171-243-1	1	SPRING; IDLE GRAY
43	8-97303-454-0	1	LEVER; FUEL CUT
44 (A)	8-97064-688-1	1	GASKET; COVER ALSO INCLUDED IN GASKET SET(ENGINE)
44 (B)	5-09503-132-1	1	GASKET; COVER ALSO INCLUDED IN GASKET SET(ENGINE)
45	8-97262-883-0	1	BUSHING; GEAR CASE TO CONT LEVER
46 (A)	0-28050-620-0	3	BOLT; COVER M6X20 FLANGE
46 (B)	8-97132-291-2	2	BOLT; COVER M6X16
46 (C)	8-97132-292-2	1	BOLT; COVER M6X22
46 (D)	0-28050-616-0	1	BOLT; COVER M6X16 FLANGE
46 (E)	8-97072-830-0	1	BOLT; COVER M6X16 W/DETENT HOLE
47	1-15739-008-0 <9-81325-487-0>	2	SEAL; LEAD
48	9-81325-446-0	2	WIRE; LEAD SEAL
49 (A)	1-09605-019-0	1	PLUG; COVER,GEN PT 1/4
49 (B)	0-28050-610-0	1	PLUG; COVER,GEN M6X10 FLANGE
51	8-97358-000-1	1	COVER; ADJ
59	8-97369-552-1	1	PLUG; SHAFT,FLOATING LEVER
61	8-97039-584-2	1	SCREW; SET,FULL LOAD
62	8-97016-441-0	1	SCREW; SET,IDLE SPR
63 (A)	0-91610-504-0	1	WASHER; IDLE,SPR ID=4.3
63 (B)	0-91610-704-0	1	WASHER; IDLE,SPR ID=4.3 OD=14
64	0-91805-503-0	1	RING; SNAP,SET SCREW ID=3
65 (A)	5-09120-015-1	1	SCREW; CONT SET SPEED L=28
65 (B)	8-94317-638-1	1	SCREW; CONT SET SPEED L=38
66	0-91510-808-0	2	WASHER; LK ID=8.2
67	9-08150-436-0	1	PIN; SPR,CONT
68	8-97047-052-1	1	BRACKET; START SPR
70 (A)	8-97307-467-1	1	COVER; ANGLEICH
70 (B)	8-97318-615-0	1	COVER; ANGLEICH
71	5-11129-006-0	1	CUP; SEALING OD=16
72	8-97226-842-1	1	GASKET; COVER,ANGLEICH ALSO INCLUDED IN GASKET SET(ENGINE)
73	8-97039-546-1	1	SPRING; FUEL CUT
74	0-91110-508-0	1	NUT; SHAFT M8
75	8-97262-817-0	1	BUSHING; LEVER,MAIN SPR
76	8-94454-615-0	1	CUP; SEALING,BUSHING
79	0-20800-655-0	1	BOLT; CONT SET SPEED M6X55
92	9-06023-625-0	1	SCREW; SET
94 (A)	9-09565-114-0	1	GASKET; BUSH ID=13.8 ALSO INCLUDED IN GASKET SET(ENGINE)

KEY No.	Part no.	qty	Part description
94 (B)	9-09565-116-0	1	GASKET; BUSH ID=15.8 ALSO INCLUDED IN GASKET SET(ENGINE)

0-89 TIMING CHAIN CASE

(No.2)



KEY No.	Part no.	qty	Part description
1 (A)	8-97363-269-0	1	FLYWEIGHT
1 (B)	8-97309-671-0	1	FLYWEIGHT
5	8-97147-489-3	1	SLEEVE; FLYWEIGHT
6 (B)	9-08150-545-0	1	SHAFT; LEVER
16	1-09747-002-0	1	PIN; LEVER TO LINK PLATE L=17.9
18	8-97148-550-0	1	PLATE; LINK,LEVER TO PUMP
28 (A)	8-97034-642-4	1	LEVER; MAIN SPR
28 (B)	8-97160-572-1 <8-97160-572-0>	1	LEVER; MAIN SPR
30	8-97016-940-0	1	SPRING; RETURN,CONT
35	8-97321-348-1	1	SPRING; MAIN,LEVER L=47 YELLOW
36	8-97149-603-1	1	SPRING; START PINK
40	8-94130-438-0	1	NUT; HOLDER
50	8-97303-577-2	1	LEVER; GUIDE
52	8-97303-583-0	1	PIECE; GUIDE

KEY No.	Part no.	qty	Part description
53	1-09747-002-0	1	PIN; GUIDE LEVER L=17.9
54	8-97160-574-3	1	LEVER; TENSION,GOV
55	8-97321-335-2	1	SHIFTER; GOV
56	8-97303-667-0	1	SHAFT; SHIFTER
57	0-91805-504-0	1	RING; SNAP,SHAFT ID=4
58	8-97303-580-2	1	LEVER; FLOATING
60	8-97148-865-0	1	LINK; CONT,INJ PUMP
69	8-97083-714-1	1	SPRING; SET
77	8-97093-549-4	1	LEVER KIT; GOV
78	8-97105-909-0	1	ADJUSTER; GOV