

ISUZU

DIESEL ENGINE

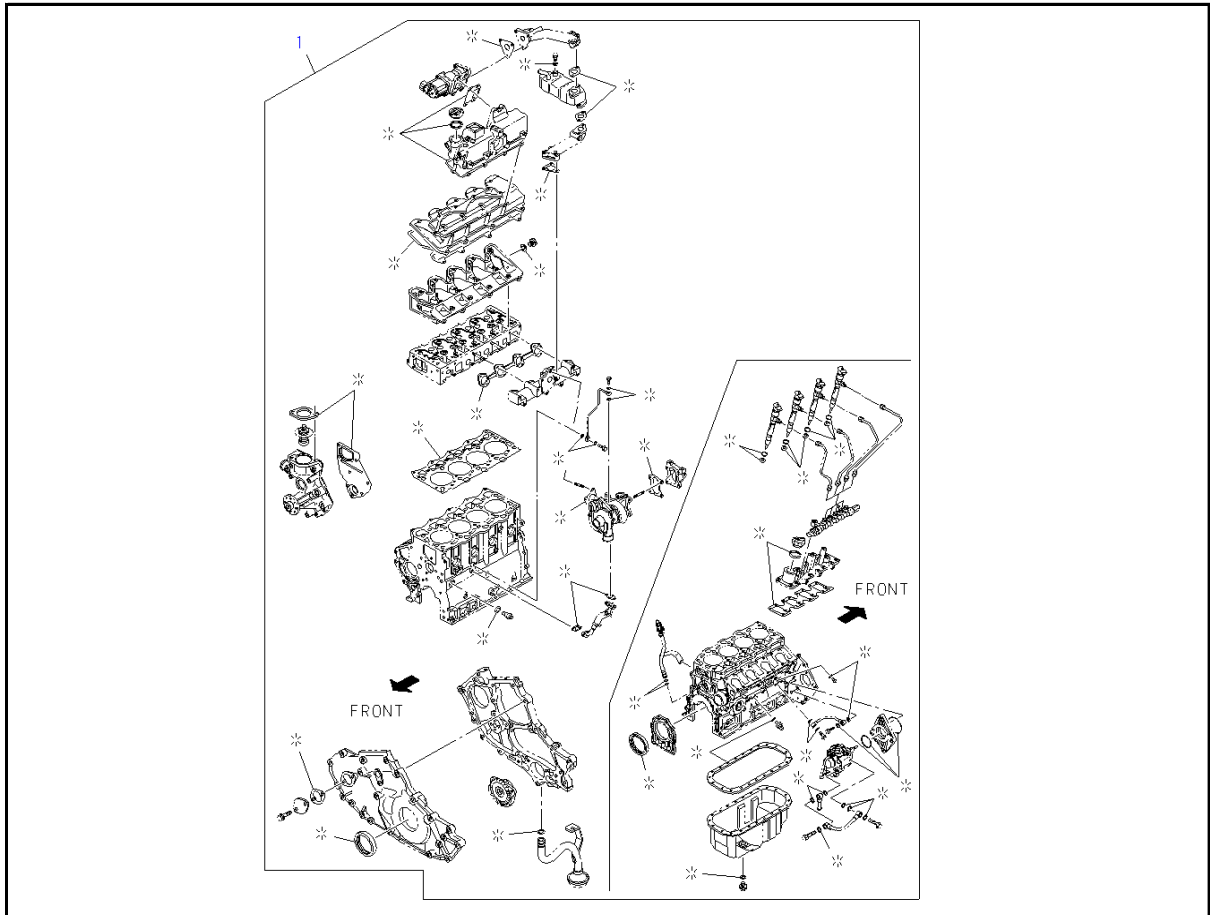
4LE2 TAGD03

PARTS CATALOG

FIGURE NUMBER INDEX

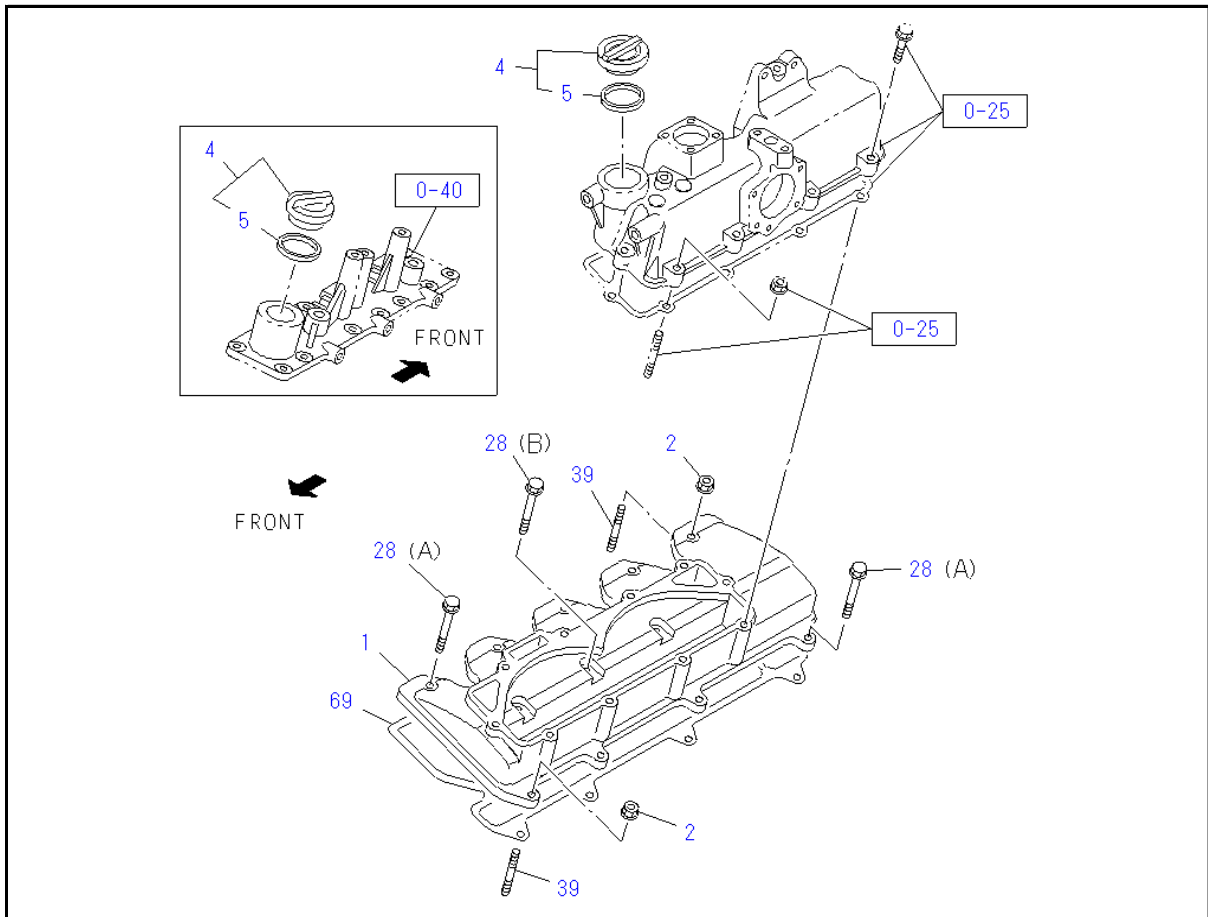
FIG NO.	TITLE (SUBTITLE)	PAGE
0-05	ENGINE GASKET KIT	1
0-10	CYLINDER HEAD COVER	2
0-11	CYLINDER HEAD	3
0-12	CYLINDER BLOCK	5
0-13	OIL PAN AND LEVEL GAUGE	7
0-14	CAMSHAFT AND VALVE	8
0-15	CRANKSHAFT,PISTON AND FLYWHEEL	11
0-20	TIMING GEAR CASE AND FLYWHEEL HOUSING	13
0-25	INLET MANIFOLD	15
0-27	EXHAUST MANIFOLD	17
0-30	WATER PUMP AND CORROSION RESISTOR	18
0-31	THERMOSTAT AND HOUSING	19
0-32	WATER PIPING; ENGINE	20
0-33	FAN AND FAN BELT	21
0-36	TURBOCHARGER SYSTEM	22
0-37	TURBOCHARGER	24
0-40	FUEL INJECTION SYSTEM	25
0-41	FUEL FILTER AND BRACKET	28
0-42	FUEL PUMP AND PIPE	29
0-50	OIL COOLER AND OIL FILTER	30
0-51	OIL PUMP AND OIL STRAINER	31
0-52	OIL AND VACUUM PIPING; ENGINE	32
0-57	EMISSION PIPING	33
0-60	ENGINE ELECTRICAL CONTROL PARTS	34
0-65	STARTER	36
0-66	GENERATOR	37
1-50	EXHAUST PIPE AND SILENCER	38
8-10	WIRING HARNESS AND FUSE	39
8-15	FIXING PARTS; WIRING HARNESS	40
8-25	SWITCH AND RELAY; INSTRUMENT PANEL	41

0-05 ENGINE GASKET KIT



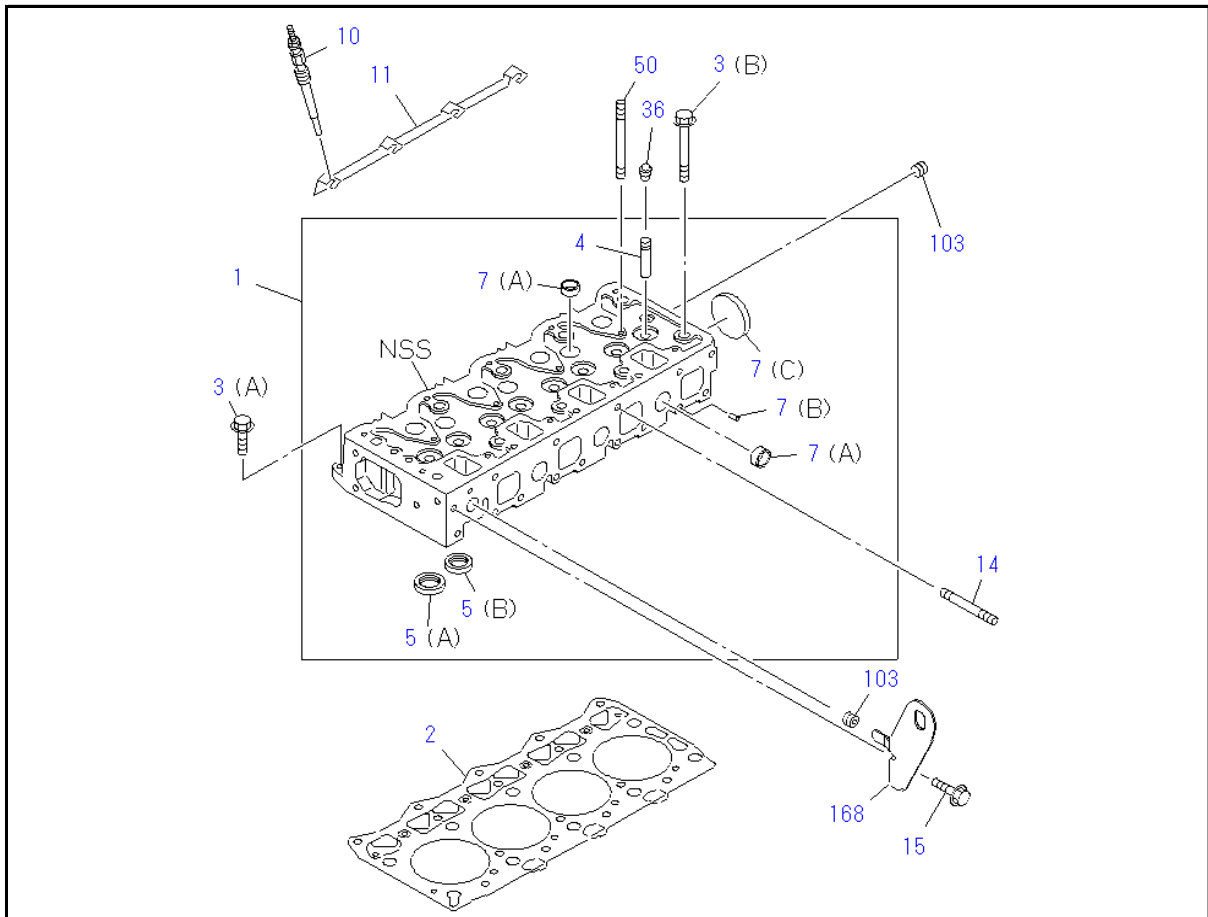
KEY No.	Part no.	qty	Part description	Engine serial no.
1	5-87818-348-0 <5-87818-011-0>	1	GASKET SET; ENG OVERHAUL	

0-10 CYLINDER HEAD COVER



KEY No.	Part no.	qty	Part description	Engine serial no.
1	8-98210-296-0	1	COVER; CYL HD	
2	0-91180-106-0	2	NUT; COVER,HD M6 FLANGE	
4	8-94425-685-2	2	CAP; OIL FILLER	
5	8-94123-623-1	2	GASKET; OIL FILLER ID=32 OD=40	
28 (A)	0-28050-620-0	7	BOLT; HD COVER 20 FLANGE	
28 (B)	0-28050-645-0	3	BOLT; HD COVER 45 FLANGE	
39	0-41010-620-0	2	STUD; COVER,HD M6X20 L=28	
69	8-98030-538-1	1	GASKET; HD TO COVER	

0-11 CYLINDER HEAD

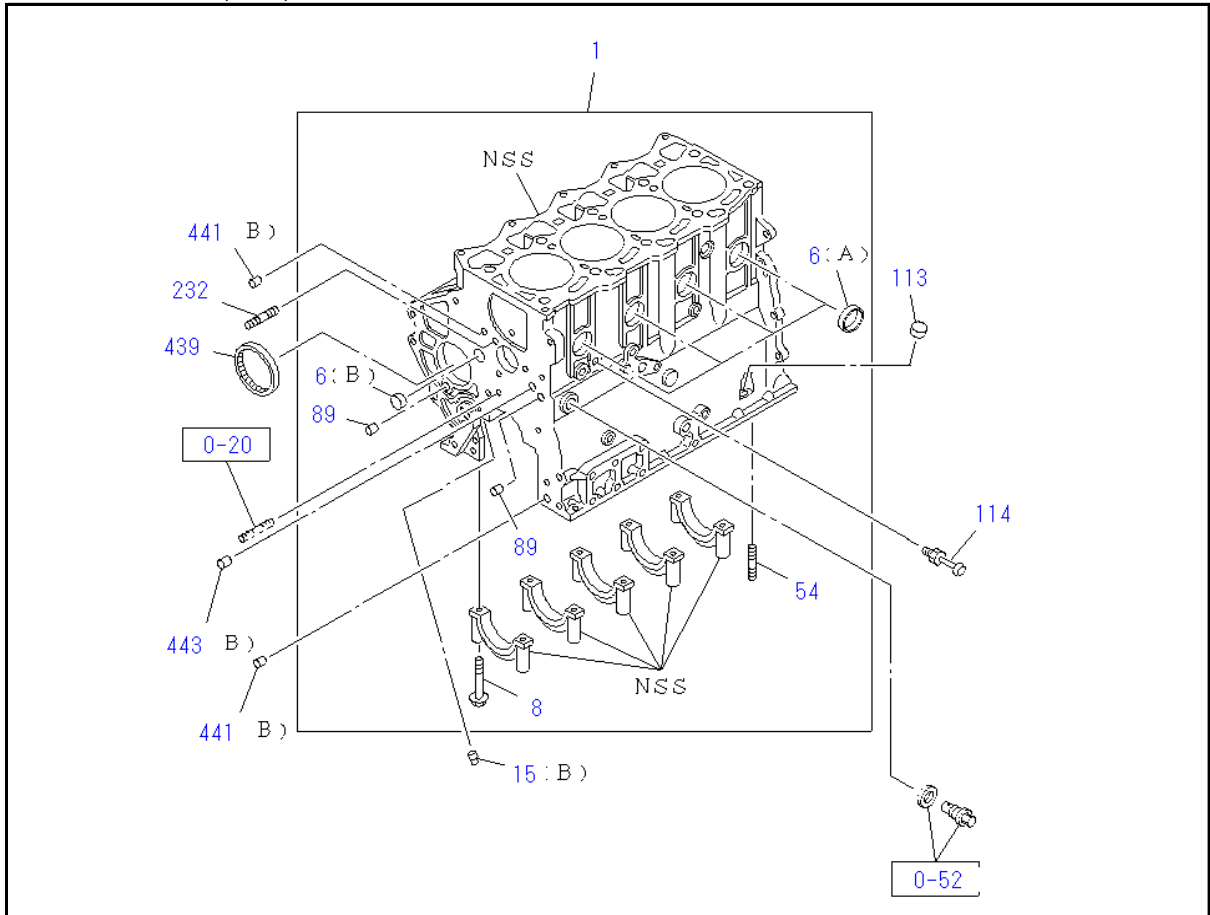


KEY No.	Part no.	qty	Part description	Engine serial no.
1	8-98228-829-0	1	HEAD ASM; CYL	
2	8-98232-125-0	1	GASKET; CYL HD	
3 (A)	8-94463-784-0	5	BOLT; CYL HD TO BLOCK 25	
3 (B)	8-97036-959-1	10	BOLT; CYL HD TO BLOCK X89	
4	8-97231-969-0 <8-97031-749-0>	8	GUIDE; VLV	
5 (A)	8-97045-391-2	4	SEAT; VLV INSERT ET	
5 (B)	8-97045-392-0	4	SEAT; VLV INSERT AUST	
7 (A)	8-97209-609-0	6	CUP; SEALING,CYL HEAD 22	
7 (B)	8-97233-429-0	5	CUP; SEALING,CYL HEAD 8	
7 (C)	8-97036-550-1 <8-97351-451-0>	1	CUP; SEALING,CYL HEAD 45	
10	8-94133-759-9	4	PLUG; GLOW BOSCH 12V	
11	8-97229-381-0	1	CONNECTOR; GLOW PLUG	
14	8-94155-869-0	8	STUD; EXH MANIF M8X72 L=86	
15	0-28050-816-0	1	BOLT; HANGER,FRT M8X16 FLANGE	
36	8-94110-559-1	8	SEAL; OIL,VLV GUIDE	
50	8-97094-641-1	6	STUD; ROCKER SHAFT BRKT M6X45 L=53	
103	5-09605-005-0	2	PLUG; HD PT 3/8	

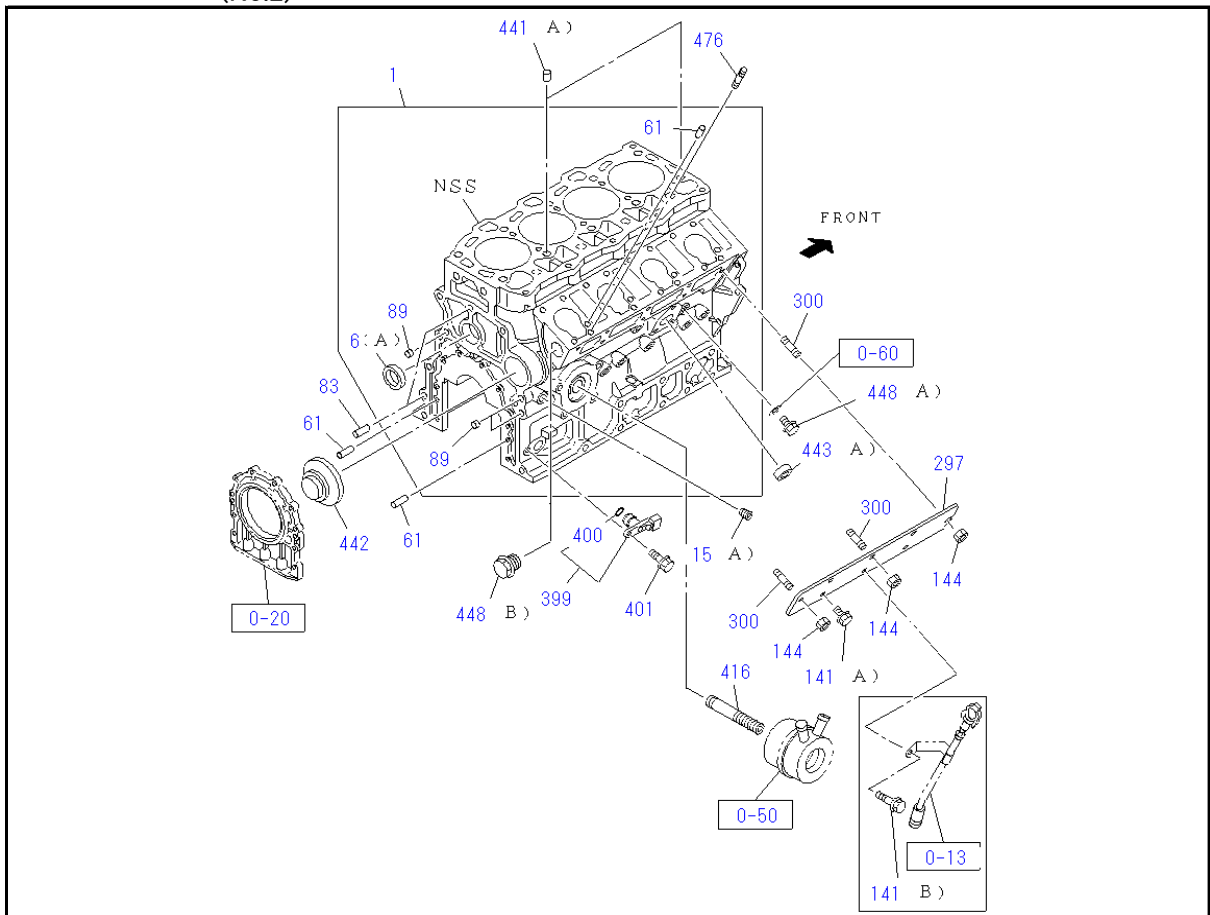
KEY No.	Part no.	qty	Part description	Engine serial no.
168	8-97085-389-0	1	HANGER; ENG,FRT	

0-12 CYLINDER BLOCK

(No.1)



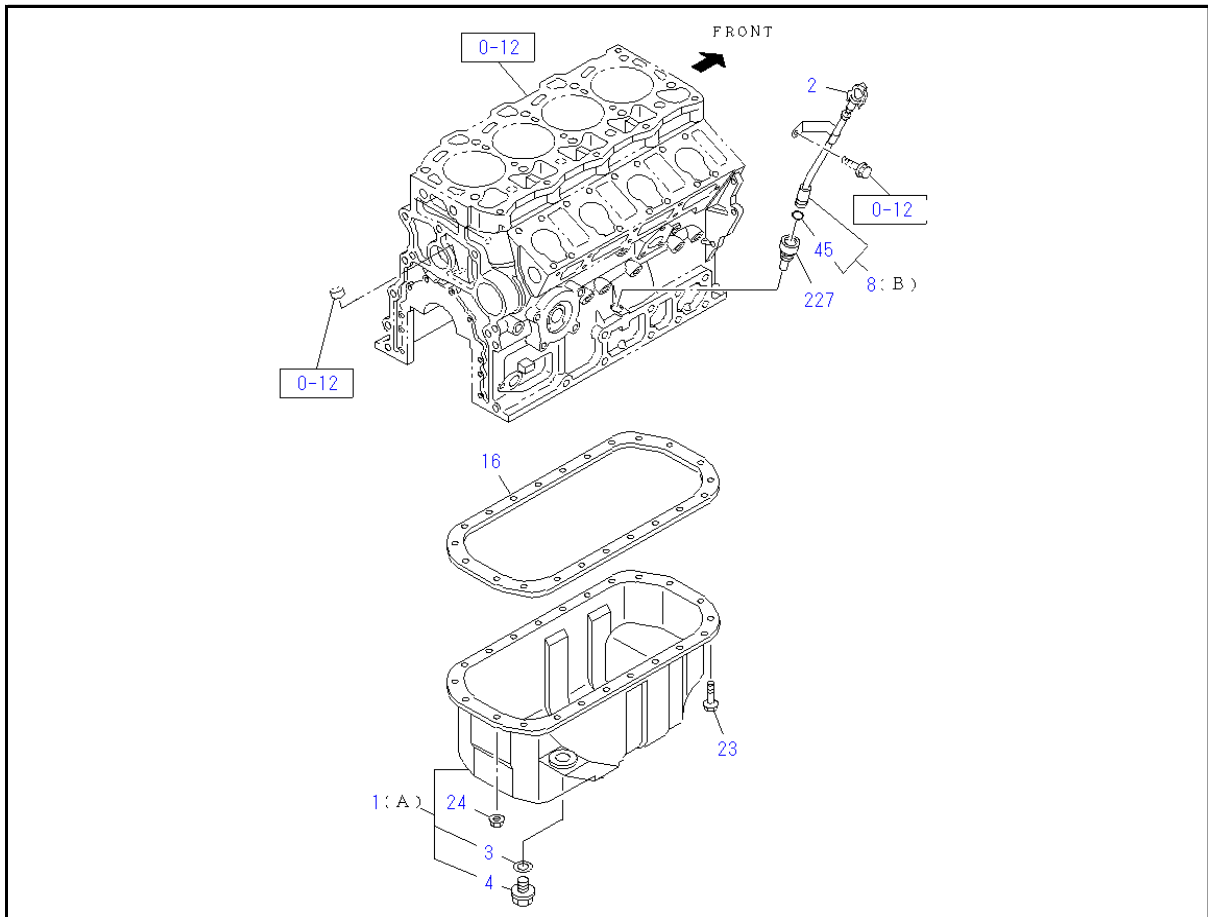
(No.2)



0-12 CYLINDER BLOCK

KEY No.	Part no.	qty	Part description	Engine serial no.
1	8-98208-655-0	1	BLOCK ASM; CYL	
6 (A)	8-94229-853-0	5	CUP; SEALING 35	
6 (B)	8-97209-609-0	1	CUP; SEALING 22	
8	8-94167-470-1	10	BOLT; BRG CAP M11X83	
15 (A)	1-09605-019-0	1	PLUG; OIL GALLERY 1/4	
15 (B)	9-09204-510-0	1	PLUG; OIL GALLERY 1/8	
54	0-41010-620-0	4	STUD; OIL PAN TO BLOCK M6X20 L=28	
61	9-08150-616-0	6	PIN; STRAIGHT OD=6 L=16	
83	9-08150-816-0 <9-08160-816-0>	2	PIN; FLYWHEEL HSG OD=8 L=16	
89	5-09600-013-0	6	CUP; SEALING,OIL GALLERY OD=12.3	
113	5-11129-003-0	1	CUP; SEALING OD=15.6	
114	5-13721-028-1	1	NIPPLE; WATER DRAIN	
141 (A)	0-28050-612-0	4	BOLT; COVER 12 FLANGE	
141 (B)	0-28050-616-0	1	BOLT; COVER 16 FLANGE	
144	8-97329-622-0	3	NUT; COVER FIX M6 W/LK WASHER	
232	8-97262-146-1	1	STUD; WATER PUMP M8X50 L=62	
297	8-97118-989-2	1	COVER; CYL BLOCK	
300	8-97262-147-1	3	STUD; COVER M6X16 L=25	
399	8-97312-108-1	1	SENSOR; CRANKSHAFT POSITION	
400	8-97369-404-0	1	GASKET; CRANKSHAFT POSITION SENSOR ID=14.2 OD=18.8	
401	0-28050-616-0	1	BOLT; SENSOR M6X16 FLANGE	
416	8-97102-550-1	1	STUD; OIL FILTER M20X89.5 L=103	
439	8-98063-794-0	1	BEARING; NEEDLE NSK	
441 (A)	8-94200-819-0	2	DOWEL; CYL BLOCK 15.25	
441 (B)	8-94108-075-1	2	DOWEL; CYL BLOCK 11 L=12	
442	8-97047-142-1	1	PLUG; THRUST	
443 (A)	1-09600-012-2	1	CAP; SEALING 32	
443 (B)	5-09600-013-0	1	CAP; SEALING 12.3	
448 (A)	5-09604-016-0	1	PLUG; C/BL X9	
448 (B)	8-97102-451-0	1	PLUG; C/BL X9.5	
476	1-09305-005-0	7	STUD; BRKT M8X20 L=32	

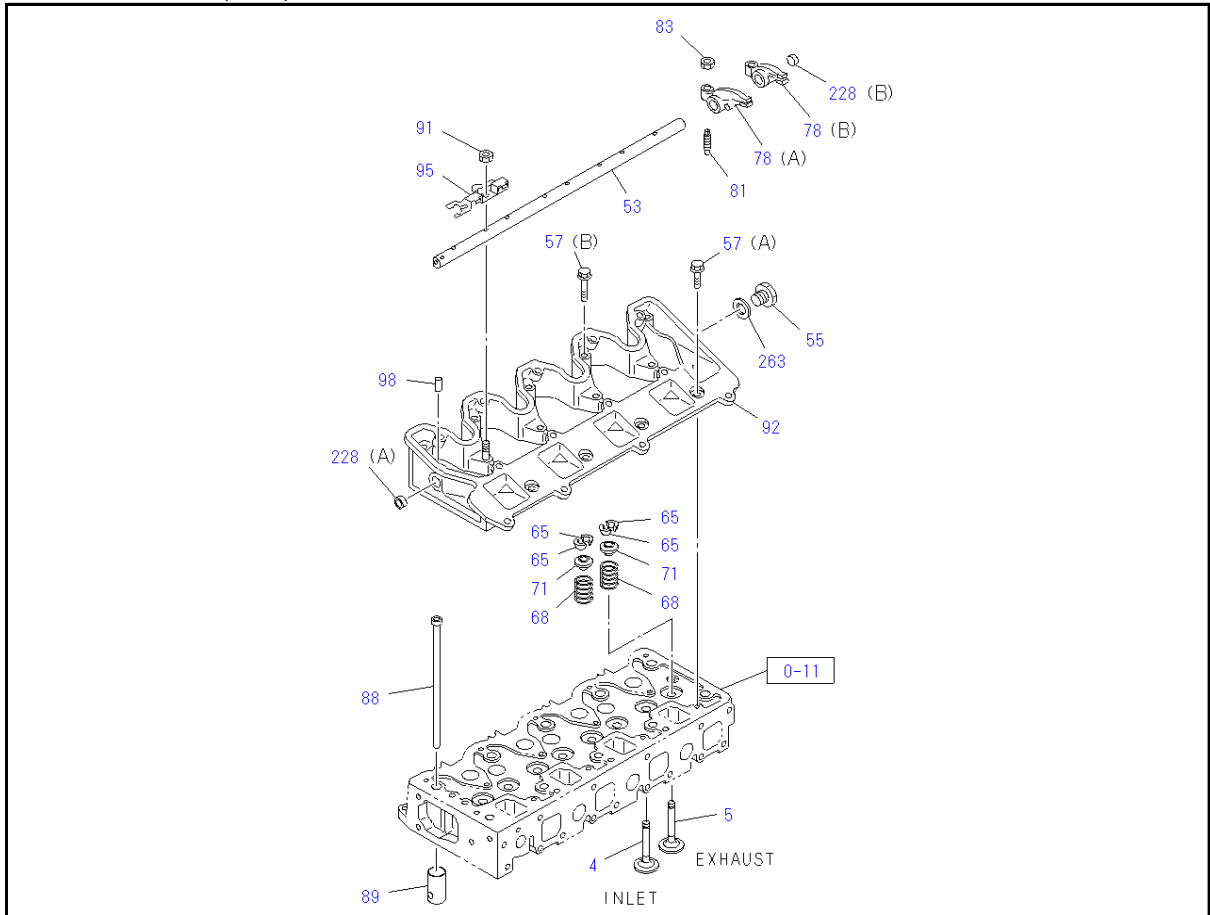
0-13 OIL PAN AND LEVEL GAUGE



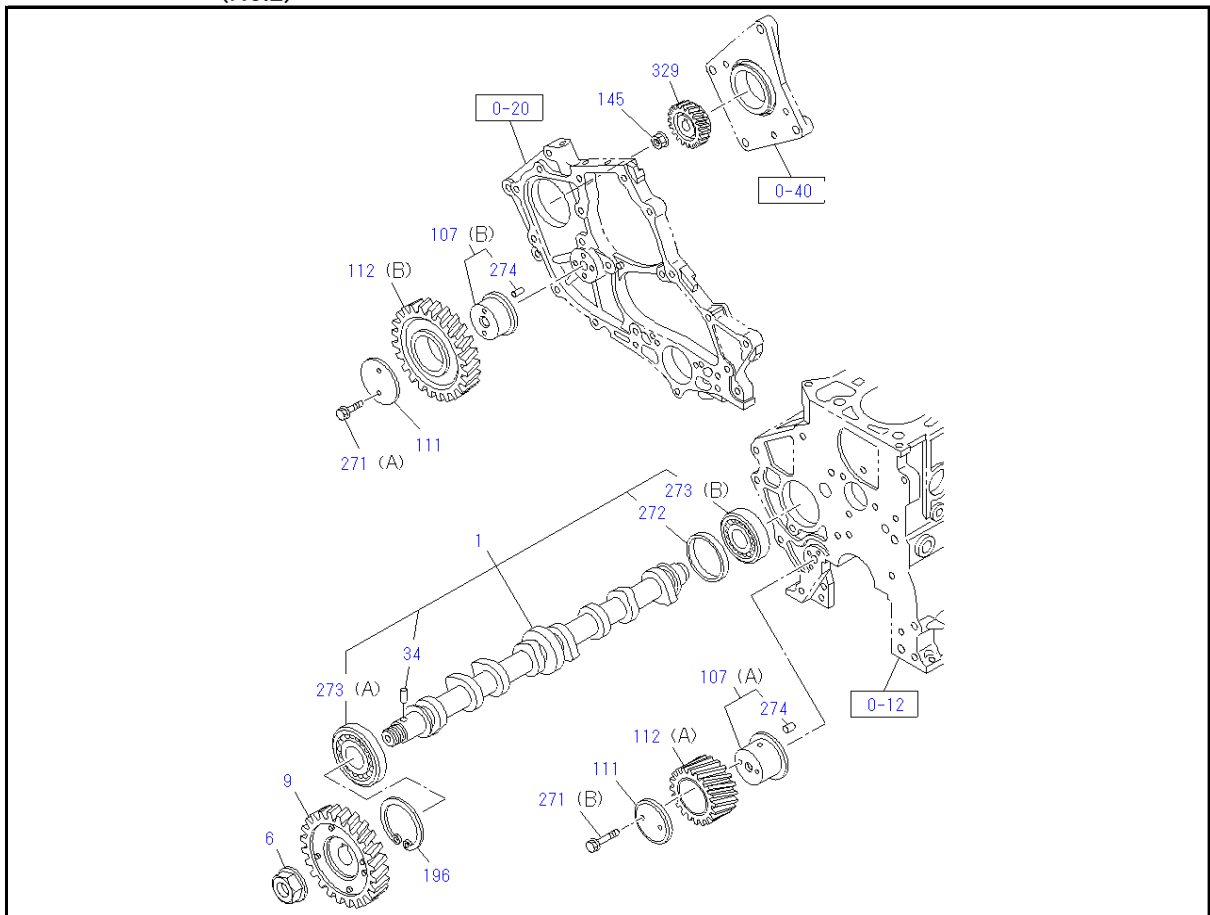
KEY No.	Part no.	qty	Part description	Engine serial no.
1 (A)	8-98079-863-0	1	PAN ASM; OIL	
2	8-98089-222-1	1	GAUGE; OIL LEVEL	
3	1-09623-058-0	1	GASKET; DRAIN PLUG ID=26.8	
4	1-09604-022-0	1	PLUG; DRAIN,OIL M24X17	
8 (B)	8-98089-059-0	1	TUBE; GUIDE,OIL LEVEL GAUGE	
16	8-97314-914-0	1	GASKET; OIL PAN TO C/BL	
23	8-98079-791-0	18	BOLT; OIL PAN M6X20 W/WASHER	
24	8-97329-622-0	4	NUT; OIL PAN M6 W/LK WASHER	
45	5-09623-002-0	1	GASKET; GUIDE TUBE ID=11	
227	8-97363-253-0	1	NIPPLE; GUIDE TUBE	

0-14 CAMSHAFT AND VALVE

(No.1)



(No.2)



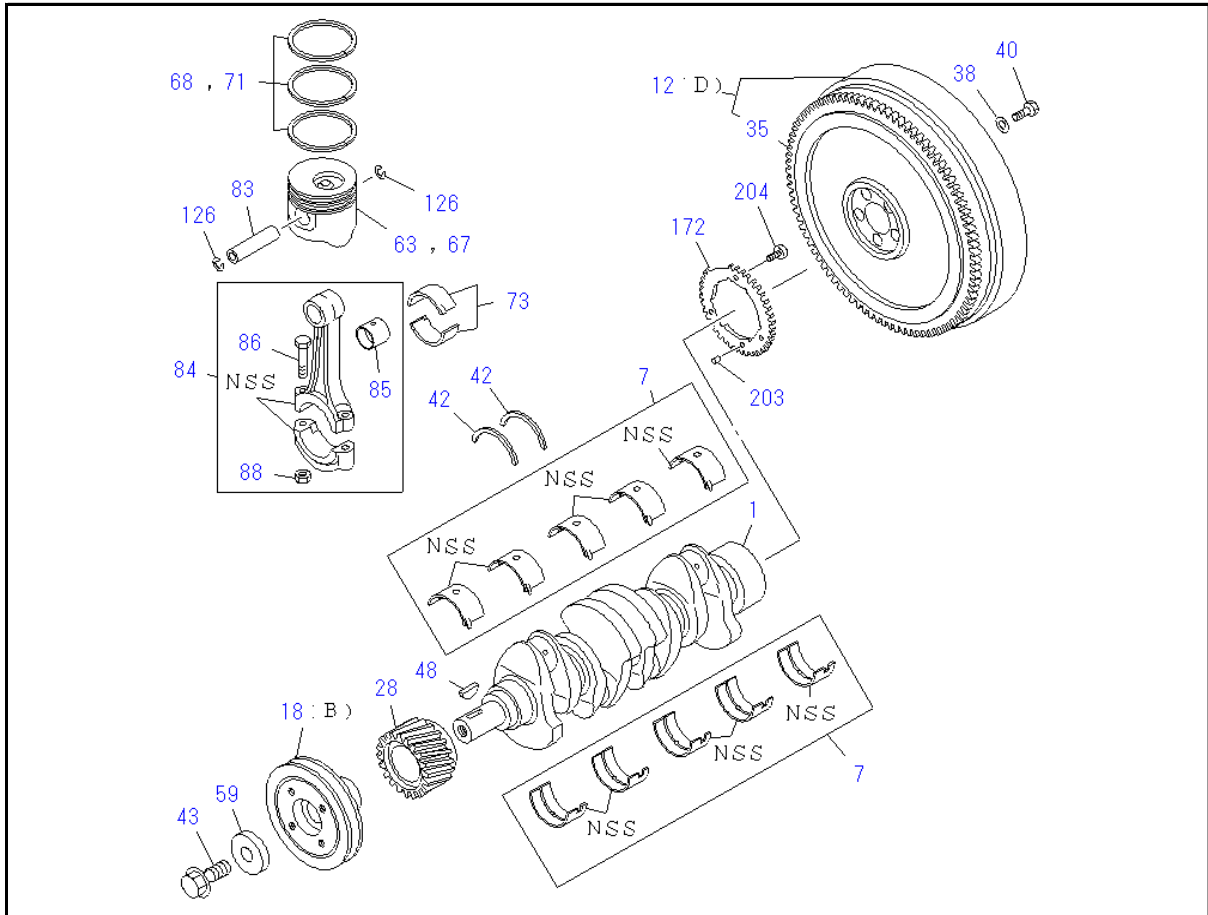
0-14 CAMSHAFT AND VALVE

KEY No.	Part no.	qty	Part description	Engine serial no.
1	8-98208-656-1	1	CAMSHAFT	
4	8-97102-123-1	4	VALVE; INL	
5	8-97045-410-3	4	VALVE; EXH	
6	8-97303-225-0	1	NUT; CM/SHF GEAR M20 H=8	
9	8-98208-658-1	1	GEAR; CM/SHF	
34	8-97173-670-0	1	PIN; CM/SHF OD=5 L=7	
53	8-97118-656-1	1	SHAFT; ROCKER ARM	
55	8-98042-944-0	1	PLUG; ROCKER SHAFT END M14X9	
57 (A)	0-28050-625-0	5	BOLT; ROCKER ARM BRKT 25 FLANGE	
57 (B)	0-28050-650-0	5	BOLT; ROCKER ARM BRKT 50 FLANGE	
65	8-94239-501-0	16	COLLAR; SPLIT	
68	8-97034-629-1	8	SPRING; VLV	
71	8-94251-031-1	8	SEAT; SPR	
78 (A)	8-97212-518-0	4	ARM; ROCKER ET	
78 (B)	8-97212-520-0	4	ARM; ROCKER AUST	
81	8-97010-485-0	8	SCREW; ADJ,ROCKER ARM	
83	0-91111-506-0	8	NUT; ADJ SCREW,LK M6	
88	8-98273-084-0	8	ROD; PUSH	
89	8-97034-630-1 <8-98257-766-0>	8	TAPPET; VLV	
91	8-97329-622-0	6	NUT; ROCKER SHAFT M6 W/LK WASHER	
92	8-98048-889-0	1	BRACKET; ROCKER ARM	
95	8-97070-698-2	4	SPRING; ROCKER SHAFT	
98	9-08150-516-0	1	PIN; SHAFT SET OD=5 L=16	
107 (A)	8-97072-829-1	1	SHAFT; IDLE GEAR	
107 (B)	8-97129-780-2	1	SHAFT; IDLE GEAR	
111	5-12535-005-1	2	COLLAR; THRUST,IDLE GEAR	
112 (A)	8-98208-661-0	1	GEAR; IDLE	
112 (B)	8-98208-663-0	1	GEAR; IDLE	
145	0-91180-214-0	1	NUT; FLANGE M14 FLANGE	
196	9-09180-162-0	1	RING; SNAP ID=57.9	
228 (A)	5-09600-013-0 <9-11129-083-0>	1	CUP; SEALING,CAMSHAFT 12	
228 (B)	8-97233-429-0	1	CUP; SEALING,CAMSHAFT 8	
263	9-09571-414-0	1	GASKET; CAM END ID=14.2 OD=20.0	
271 (A)	0-28060-845-0	2	BOLT; COLLAR 45 FLANGE	
271 (B)	0-28060-860-0	2	BOLT; COLLAR 60 FLANGE	
272	8-97062-048-0	1	RING; CAMSHAFT	
273 (A)	9-00090-610-0	1	BEARING; CAMSHAFT ID=25 OD=62	
273 (B)	9-00090-657-0	1	BEARING; CAMSHAFT ID=25 OD=52	

0-14 CAMSHAFT AND VALVE

KEY No.	Part no.	qty	Part description	Engine serial no.
274	8-98146-601-0	2	PIN; IDLE SHAFT OD=5 L=12 SPRING PIN	
329	8-98208-660-0	1	GEAR; INJ PUMP	

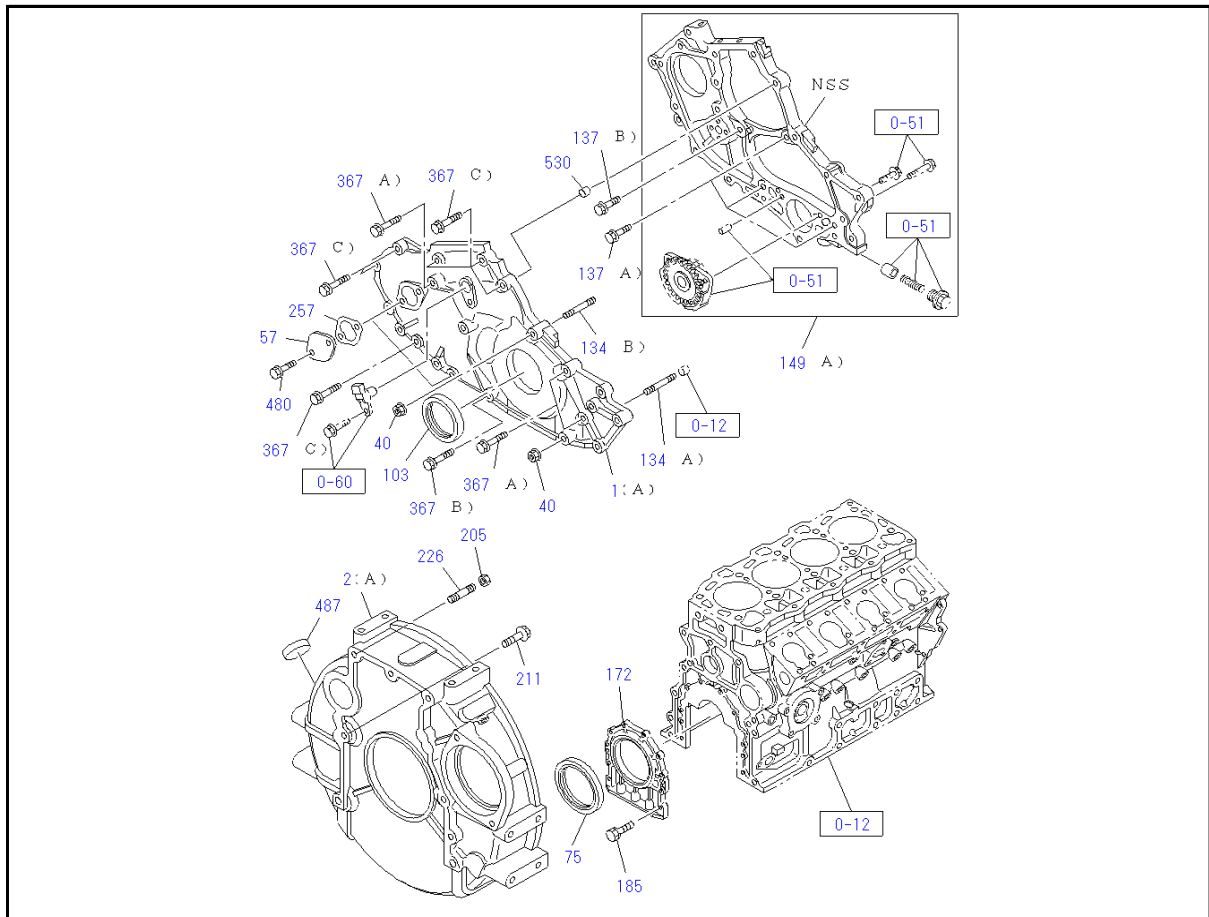
0-15 CRANKSHAFT,PISTON AND FLYWHEEL



KEY No.	Part no.	qty	Part description	Engine serial no.
1	8-98208-670-0	1	CRANKSHAFT	
7	8-98089-084-0	1	METAL KIT; CRANKSHAFT,STANDARD	
12 (D)	8-97164-530-0	1	FLYWHEEL	
18 (B)	8-98094-099-1	1	PULLEY; CR/SHF 134	
28	8-97328-612-0	1	GEAR; CR/SHF Z=37	
35	8-94419-602-1	1	GEAR; RING Z=108 T=8.9	
38	8-97023-268-0	6	WASHER; FLYWHEEL	
40	8-94133-328-1	6	BOLT; FLYWHEEL M12X32	
42	8-98063-783-0	2	WASHER; THRUST,CR/SHF	
43	8-94386-079-0	1	BOLT; CR/SHF PULLEY M14X34 FLANGE	
48	8-94201-641-0	1	KEY; WOODRUFF,CR/SHF	
59	8-94134-792-0	1	WASHER; CR/SHF PULLEY	
63	8-98243-709-0	4	PISTON	
67	8-98243-714-0	4	PISTON; O/S=0.25	
68	8-98095-215-0	4	RING SET; PISTON,STANDARD	
71	8-98095-216-0	4	RING SET; PISTON,O/S=0.25	
73	8-98095-713-0	4	METAL SET; CONN ROD,STANDARD	
83	5-12211-017-0	4	PIN; PISTON	
84	8-98075-776-1	4	ROD ASM; CONN	
85	8-98063-826-0	4	BUSHING; CONNROD	
86	8-98141-649-0 <8-98169-140-0>	8	BOLT; CONNROD 3/8-24 UNF L=53	
88	8-94377-785-0	8	NUT; CONNROD 3/8-24 UNF	
126	8-94369-905-0	8	RING; SNAP,PISTON PIN	

KEY No.	Part no.	qty	Part description	Engine serial no.
172	8-98210-267-0	1	ROTOR; CRANK SENSOR	
203	9-08160-508-0	1	PIN; ROTOR OD=5 L=8	
204	8-98038-343-0	3	BOLT; ROTOR	

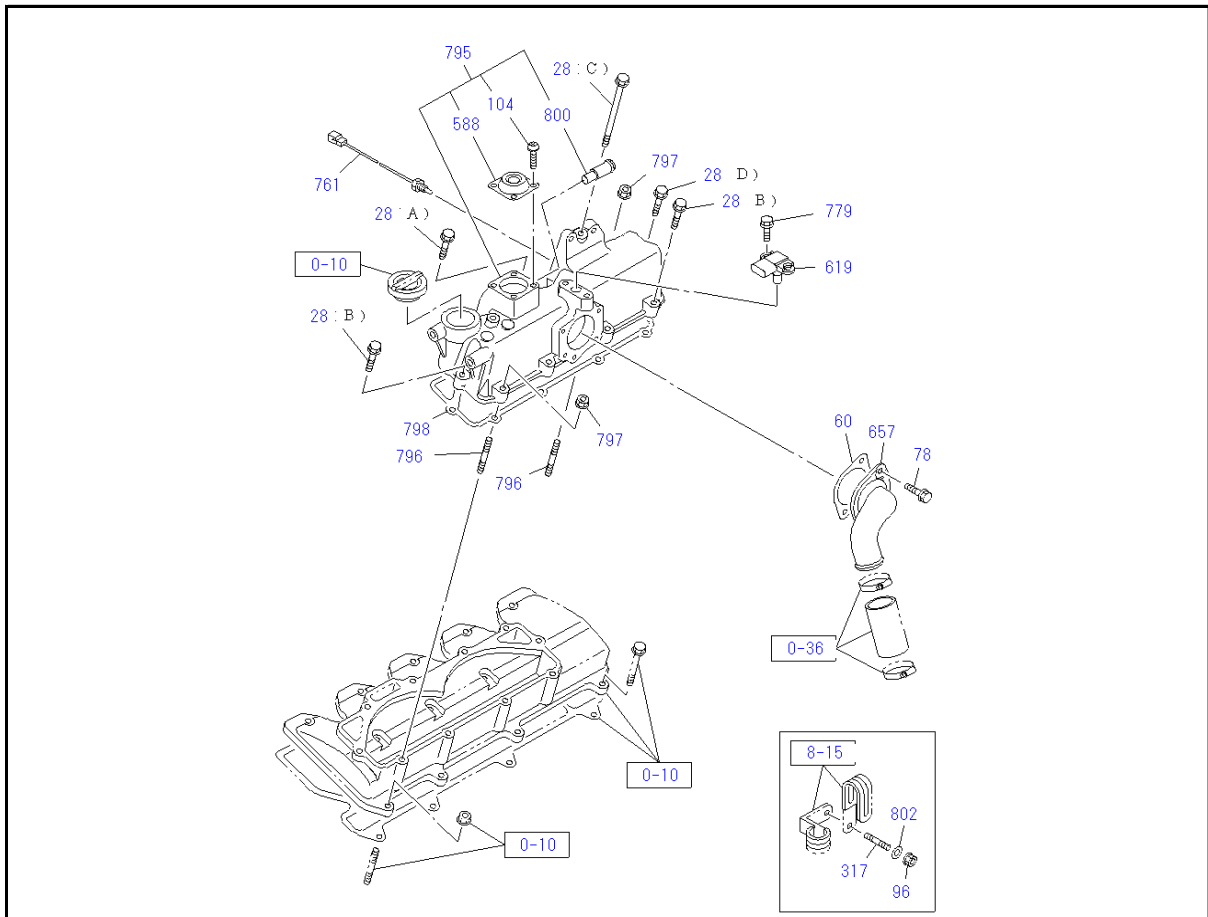
0-20 TIMING GEAR CASE AND FLYWHEEL HOUSING



KEY No.	Part no.	qty	Part description	Engine serial no.
1 (A)	8-98207-821-2	1	CASE; TIMING GEAR	
2 (A)	8-97304-046-1	1	HOUSING; FLYWHEEL	
40	0-91180-208-0	2	NUT; GEAR CASE M8 FLANGE	
57	5-11321-009-0	1	COVER; TIMING CHECK HOLE	
103	8-97351-704-0	1	SEAL; OIL,CR/SHF,FRT	
134 (A)	5-09300-065-0	1	STUD; TIMING GEAR CASE 79 L=92	
134 (B)	8-97262-146-1	1	STUD; TIMING GEAR CASE 50 L=62	
137 (A)	0-28050-830-0	3	BOLT; FRT PLATE 30 FLANGE	
137 (B)	8-97365-376-0	1	BOLT; FRT PLATE 22 FLANGE	
149 (A)	8-98226-110-3	1	PLATE; FRT,C/BL	
172	8-97231-030-2	1	RETAINER; CR/SHF	
175	5-09625-094-0	1	SEAL; OIL,CR/SHF,RR	
185	0-28050-620-0	8	BOLT; RET TO C/BL M6X20 FLANGE	
205	0-91180-210-0	2	NUT; HSG M10 FLANGE	
211	0-28151-025-0	4	BOLT; HSG M10X25 FLANGE	
226	8-94127-703-0	2	STUD; HSG M10X111 L=126	
257	8-97118-698-1	1	GASKET; TIMING CHECK HOLE	
367 (A)	0-28050-860-0	3	BOLT; GEAR CASE 60 FLANGE	
367 (B)	0-28050-880-0	1	BOLT; GEAR CASE 80 FLANGE	

KEY No.	Part no.	qty	Part description	Engine serial no.
367 (C)	0-28050-850-0	8	BOLT; GEAR CASE 50 FLANGE	
480	0-28050-612-0	2	BOLT; COVER M6X12 FLANGE	
487	8-97220-740-0	1	COVER; HOLE	
530	9-11229-058-1	2	DOWEL; TIMING CASE OD=11 L=8	

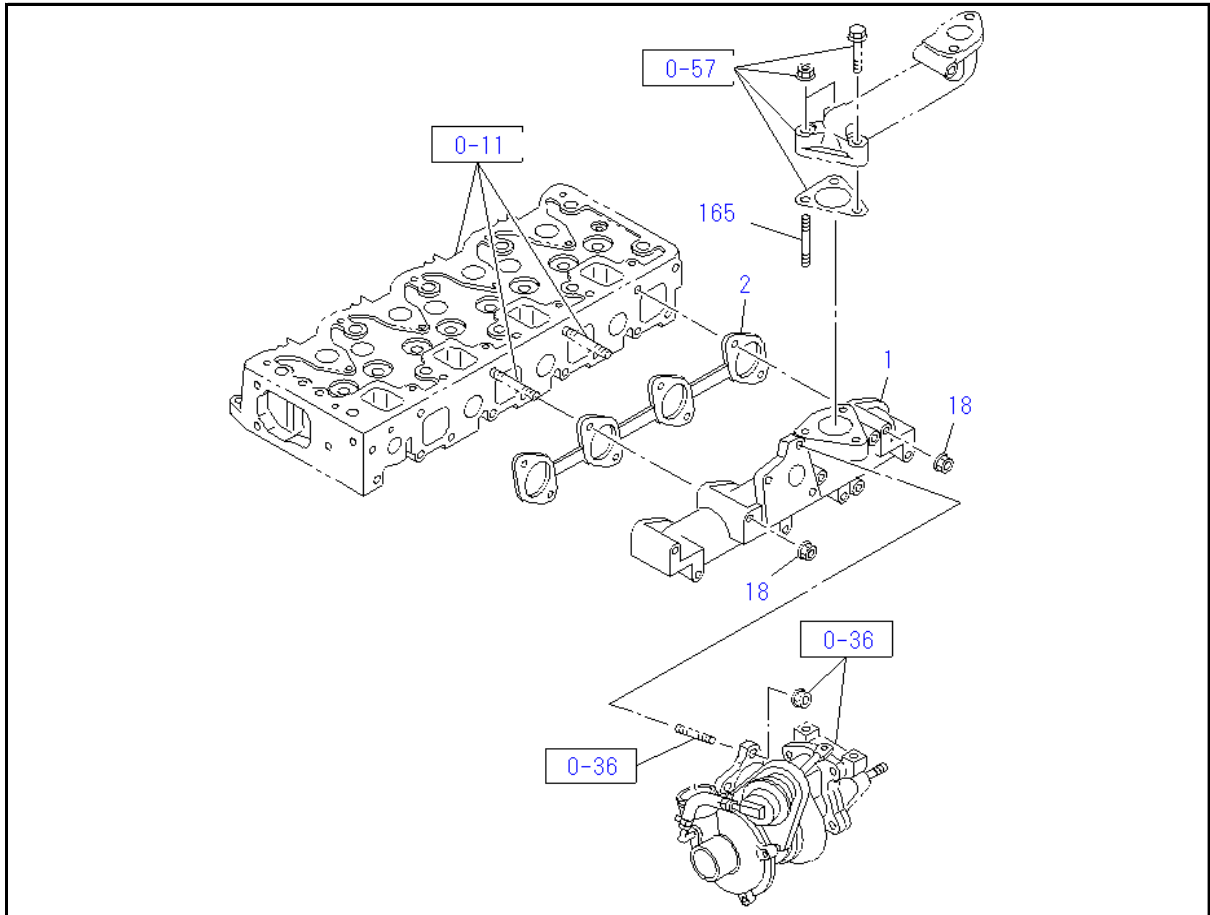
0-25 INLET MANIFOLD



KEY No.	Part no.	qty	Part description	Engine serial no.
28 (A)	0-28050-640-0	1	BOLT; CHAMBER 40 FLANGE	
28 (B)	0-28050-630-0	5	BOLT; CHAMBER 30 FLANGE	
28 (C)	8-98163-982-0	1	BOLT; CHAMBER 110 FLANGE	
28 (D)	0-28050-680-0	1	BOLT; CHAMBER 80 FLANGE	
60	8-98094-103-0	1	GASKET; INL PIPE	
78	0-28050-616-0	2	BOLT; INLET PIPE TO MANIFOLD M6X16 FLANGE	
96	0-91180-208-0	1	NUT; ENG HARNESS CLIP	
104	0-36220-410-0	4	SCREW M4X10 W/LK WASHER	
317	5-09302-003-0	1	STUD; HARNESS CLIP M8X22 L=30	
588	8-94329-549-0	1	VALVE; VENTILATION	
619	8-98121-697-0 <8-98121-697-1>	1	SENSOR; MAP	
657	8-98074-769-0	1	PIPE; AIR INL	
761	8-97381-182-0	1	SENSOR; MANIF	
779	0-28050-612-0	2	BOLT; SENSOR M6X12 FLANGE	
795	8-98226-514-0	1	CHAMBER; INT	
796	0-41010-630-0	2	STUD; CHAMBER M6X30 L=38	
797	0-91180-106-0	2	NUT; CHAMBER M6 FLANGE	
798	8-98030-598-0	1	GASKET; CHAMBER	
800	8-98045-738-0	1	VALVE; PCV	

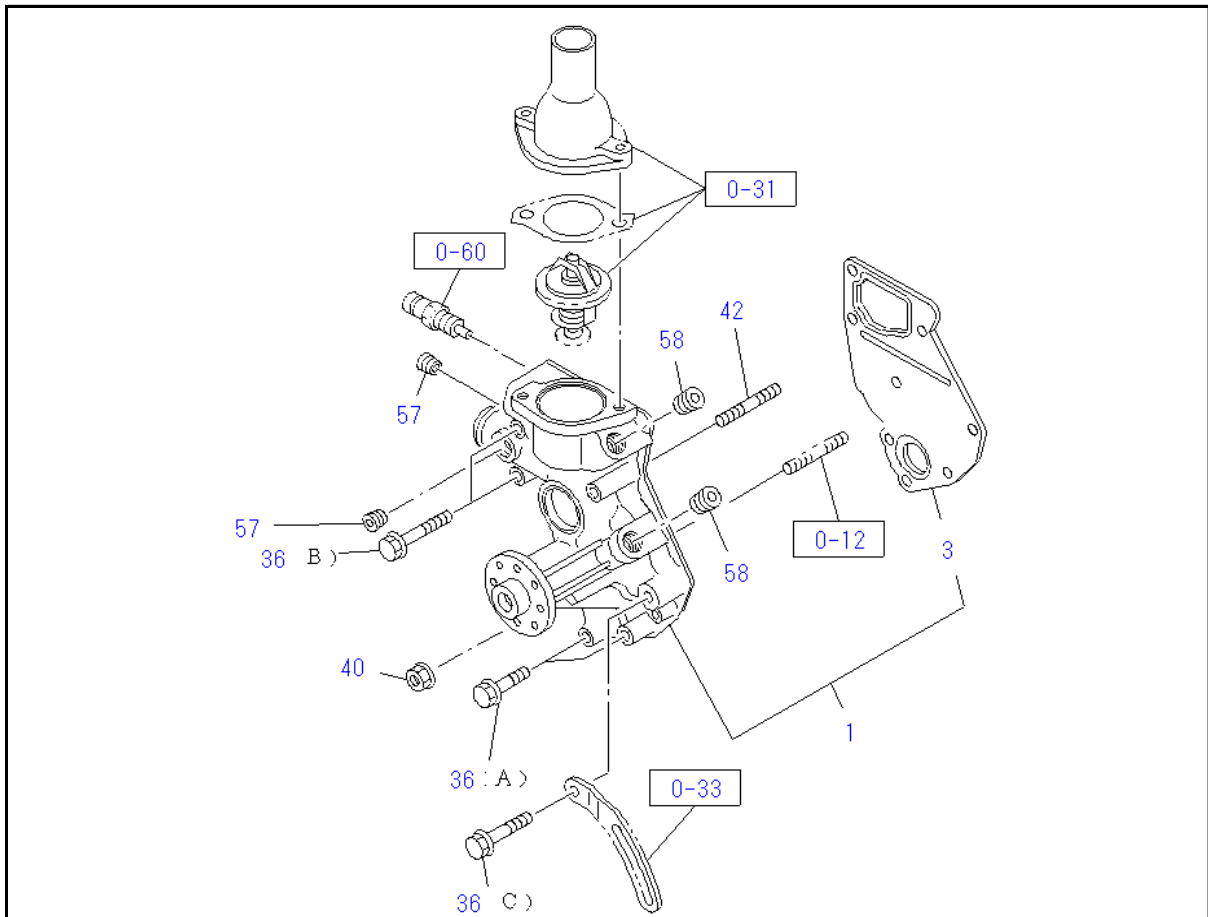
KEY No.	Part no.	qty	Part description	Engine serial no.
802	1-14319-034-0 <0-91610-608-0>	1	WASHER	

0-27 EXHAUST MANIFOLD



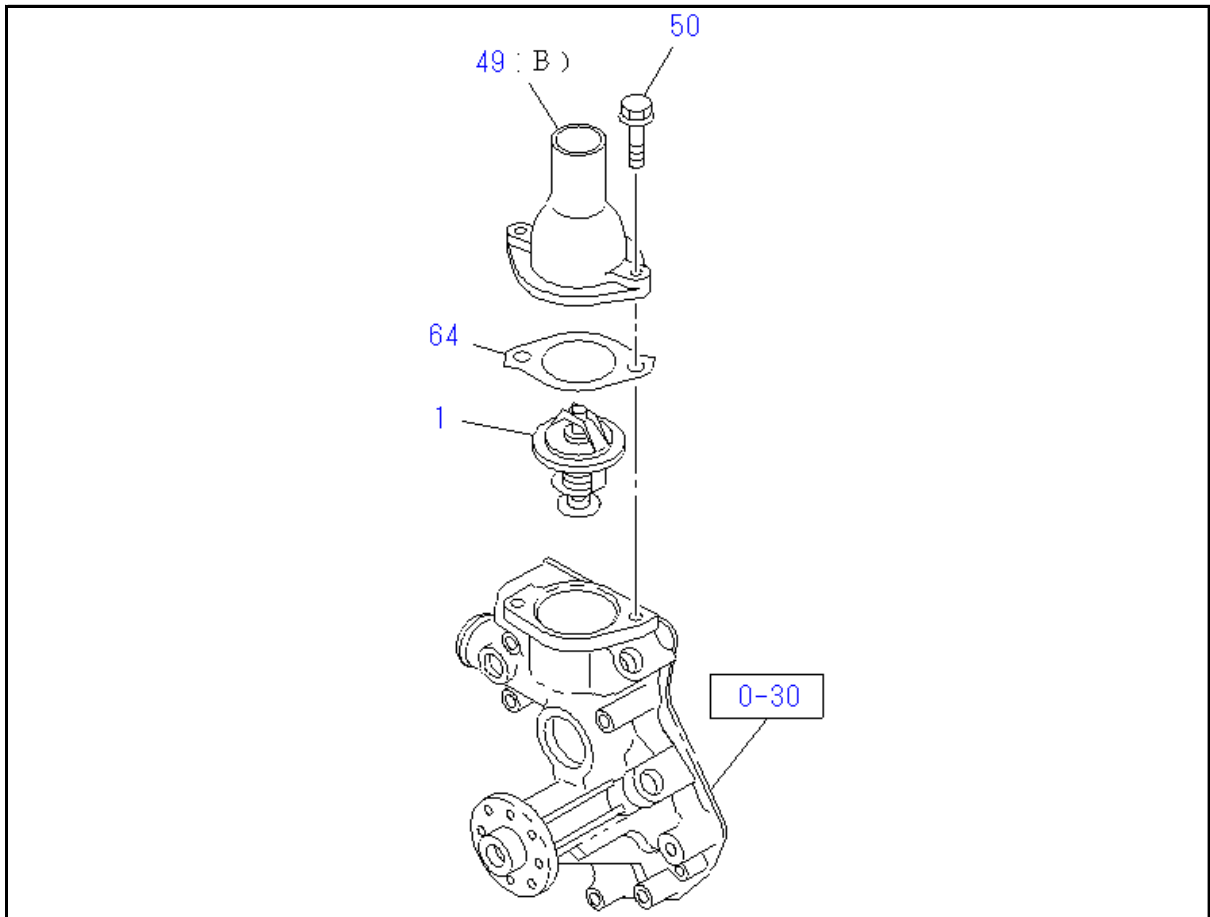
KEY No.	Part no.	qty	Part description	Engine serial no.
1	8-98030-566-1	1	MANIFOLD; EXHAUST	
2	8-98296-307-0	1	GASKET; EXH MANIF TO HD	
18	8-97161-607-0	8	NUT; EXH MANIF M8 FLANGE	
165	9-04130-840-0	2	STUD; EGR PIPE M8X40 L=52	

0-30 WATER PUMP AND CORROSION RESISTOR



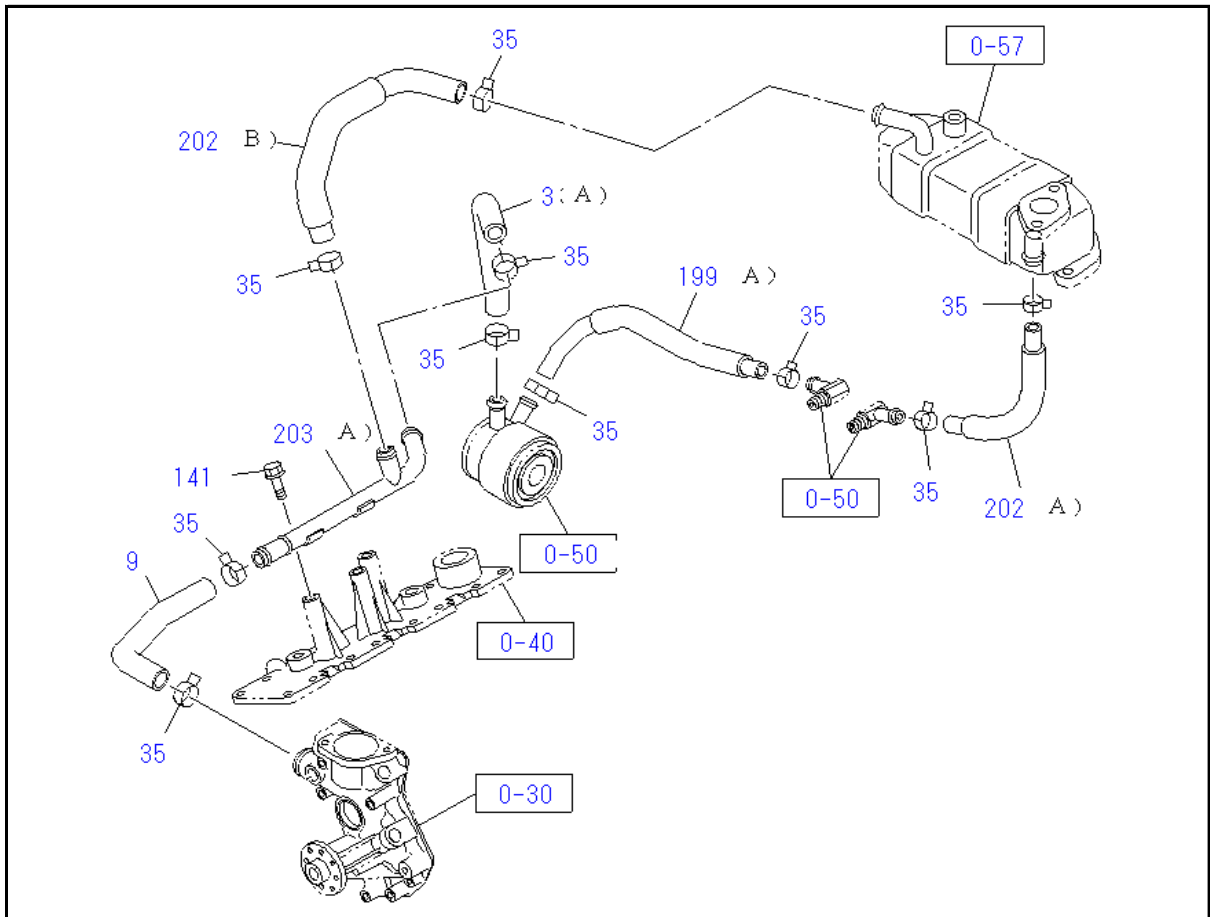
KEY No.	Part no.	qty	Part description	Engine serial no.
1	5-87311-183-2	1	PUMP ASM; WATER W/GASKET	
3	8-97289-543-0	1	GASKET; PUMP TO C/BL	
36 (A)	0-28050-850-0	2	BOLT; WATER PUMP TO C/BL 50 FLANGE	
36 (B)	0-28050-890-0	2	BOLT; WATER PUMP TO C/BL 90 FLANGE	
36 (C)	8-98081-507-0	1	BOLT; WATER PUMP TO C/BL 66 FLANGE	
40	0-91180-208-0	2	NUT; WATER PUMP M8 FLANGE	
42	8-98017-063-0	1	STUD; WATER PUMP M8X71 L=83	
57	5-09605-005-0	2	PLUG; HTR,WATER PUMP PT 3/8	
58	5-09605-005-0	2	PLUG; HTR PT 3/8	

0-31 THERMOSTAT AND HOUSING



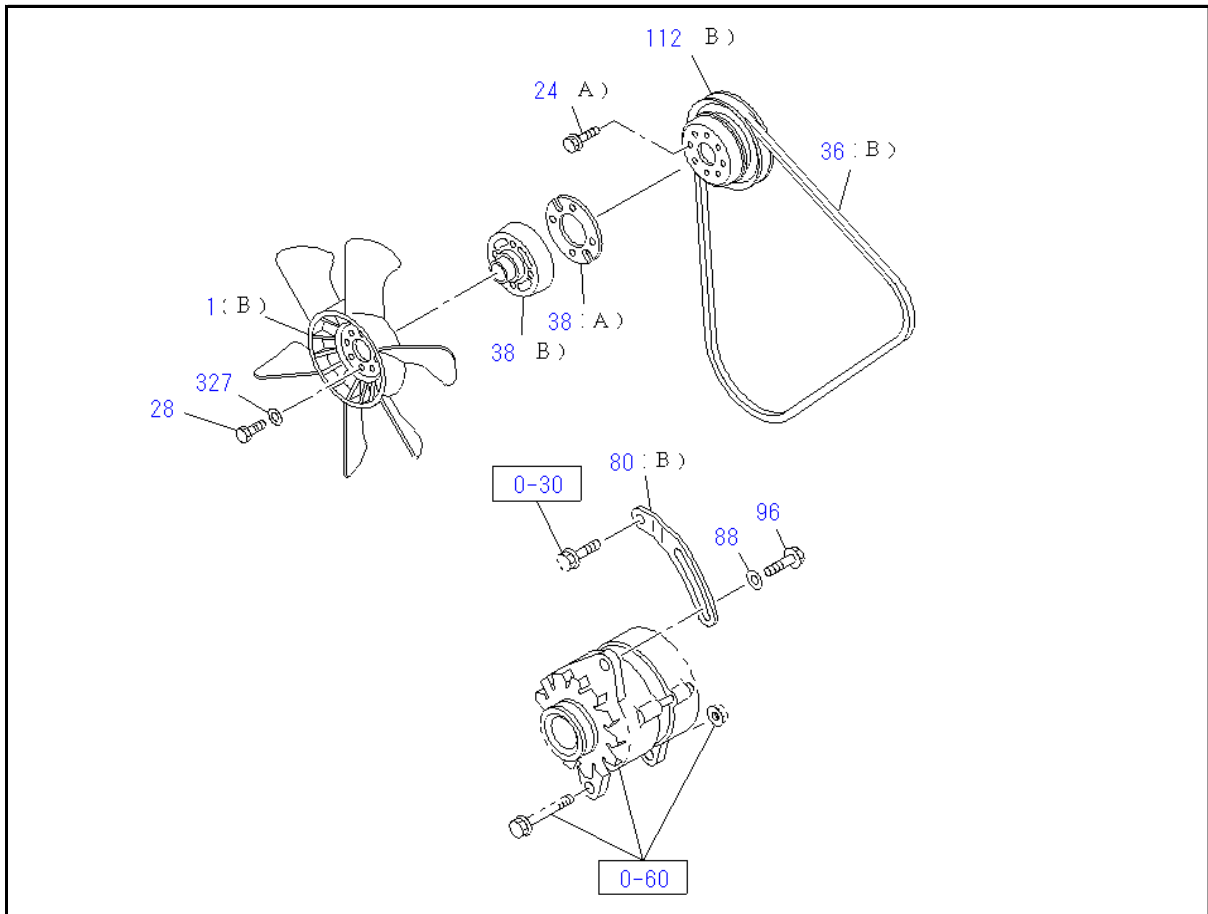
KEY No.	Part no.	qty	Part description	Engine serial no.
1	8-97361-770-0	1	THERMOSTAT 82 CELSIUS	
49 (B)	8-97169-015-1	1	PIPE; WATER OUTLET	
50	0-28650-825-0	2	BOLT; OUTLET PIPE M8X25 FLANGE	
64	8-97264-690-1	1	GASKET; OUTLET PIPE TO HSG	

0-32 WATER PIPING; ENGINE



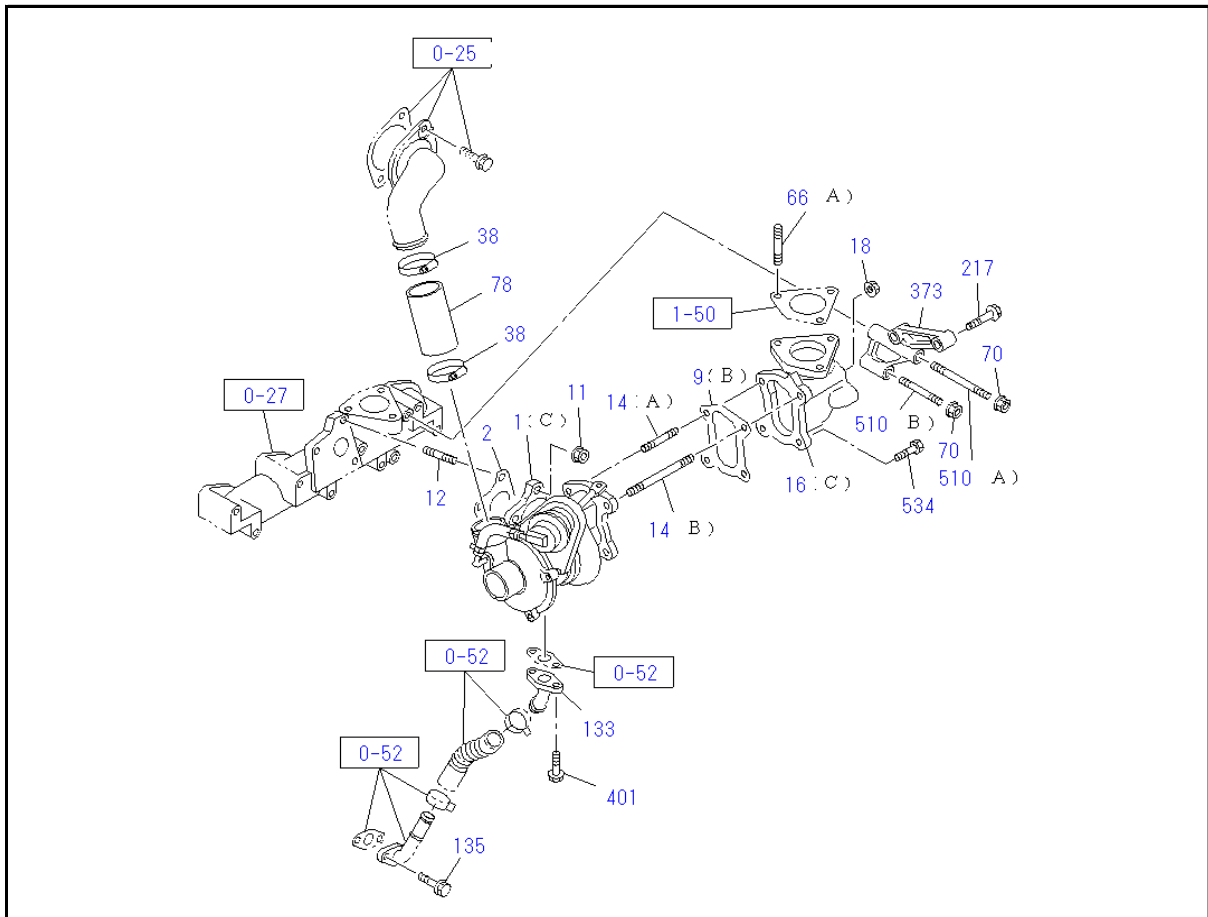
KEY No.	Part no.	qty	Part description	Engine serial no.
3 (A)	8-98210-275-0	1	HOSE; WATER,OIL COOLER	
9	8-98210-113-0	1	HOSE; RUBBER,PIPE TO WATER PUMP	
35	8-94466-382-0	10	CLIP; RUBBER HOSE ID=22.7	
141	0-28050-816-0	2	BOLT; WATER PIPE M8X16 FLANGE	
199 (A)	8-98210-274-1	1	HOSE; RUBBER,OIL COOLER	
202 (A)	8-98210-272-0	1	HOSE; RUBBER,EGR COOLER	
202 (B)	8-98210-273-1	1	HOSE; RUBBER,EGR COOLER	
203 (A)	8-98210-271-0	1	PIPE; WATER RETURN	

0-33 FAN AND FAN BELT



KEY No.	Part no.	qty	Part description	Engine serial no.
1 (B)	8-94483-894-1	1	FAN; COOLING LADE OD=430	
24 (A)	0-20800-612-0	2	BOLT; FAN 12	
28	0-28050-640-0	4	BOLT; COOLING FAN M6X40 FLANGE	
36 (B)	8-98095-335-0	1	BELT; COOLING FAN IECE L=960	
38 (A)	8-97063-400-3	1	SPACER; FAN	
38 (B)	9-89136-423-0	1	SPACER; FAN 5.5	
80 (B)	8-98124-009-0	1	PLATE; ADJ	
88	0-91614-708-0	1	WASHER; PL,ADJ PLATE ID=8.4 OD=22	
96	0-28050-830-0	1	BOLT; ADJ PLATE M8X30 FLANGE	
112 (B)	8-94459-815-4	1	PULLEY; FAN CENTER 120 1 GROOVE	
327	0-91610-706-0	4	WASHER; PL,FAN ID=6.4 OD=18	

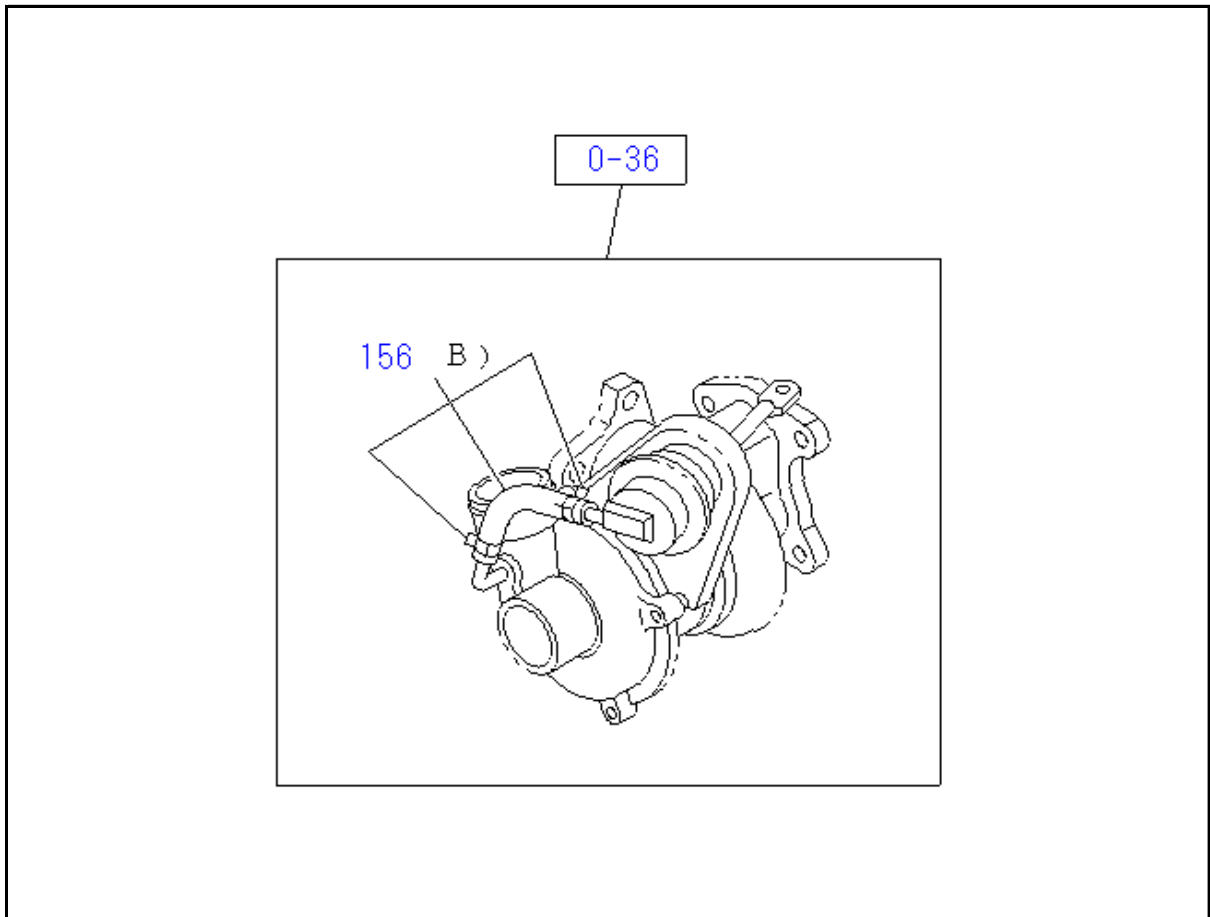
0-36 TURBOCHARGER SYSTEM



KEY No.	Part no.	qty	Part description	Engine serial no.
1 (C)	8-98223-617-0	1	TURBOCHARGER ASM	
2	8-98049-026-0	1	GASKET; TURBOCHARGER TO EXH	
9 (B)	8-98226-304-0	1	GASKET; TURBOCHARGER TO EXH	
11	8-97161-607-0	3	NUT; TURBOCHARGER M8 FLANGE	
12	8-97378-060-0	3	STUD; TURBOCHARGER M8X20 L=31	
14 (A)	8-97378-064-0	1	STUD; TURBOCHARGER TO EXH PIPE 30 L=41	
14 (B)	8-94107-532-1 <8-97378-068-0>	1	STUD; TURBOCHARGER TO EXH PIPE 81 L=92	
16 (C)	8-98232-429-0	1	ADAPTER; EXH PIPE	
18	8-97161-607-0	2	NUT; EXH PIPE M8 FLANGE	
38	8-98114-041-0	2	CLIP; RUBBER HOSE	
66 (A)	8-94257-319-0	3	STUD; EXH PIPE 22 L=33	
70	8-97161-607-0	2	NUT; BRKT M8 FLANGE	
78	8-94449-728-0	1	HOSE; INL PIPE, TURBOCHARGER	
133	8-98180-690-0	1	PIPE; OIL DRAIN, TURBOCHARGER	
135	0-28050-616-0	2	BOLT; OIL PIPE TO C/BL M6X16 FLANGE	
217	8-98053-224-0	2	BOLT; BRKT M8X35 FLANGE	
373	8-98232-435-0	1	BRACKET; ADAPTER TO EXH MANIF	
401	0-28050-616-0	2	BOLT; OIL PIPE, TURBO M6X16 FLANGE	
510 (A)	8-97256-786-1	1	STUD; BRKT 90 L=101	

KEY No.	Part no.	qty	Part description	Engine serial no.
510 (B)	8-97378-067-0	1	STUD; BRKT 43 L=54	
534	8-98043-528-0	2	BOLT;TURBOCHARGER TO PIPE M8X28 FLANGE	

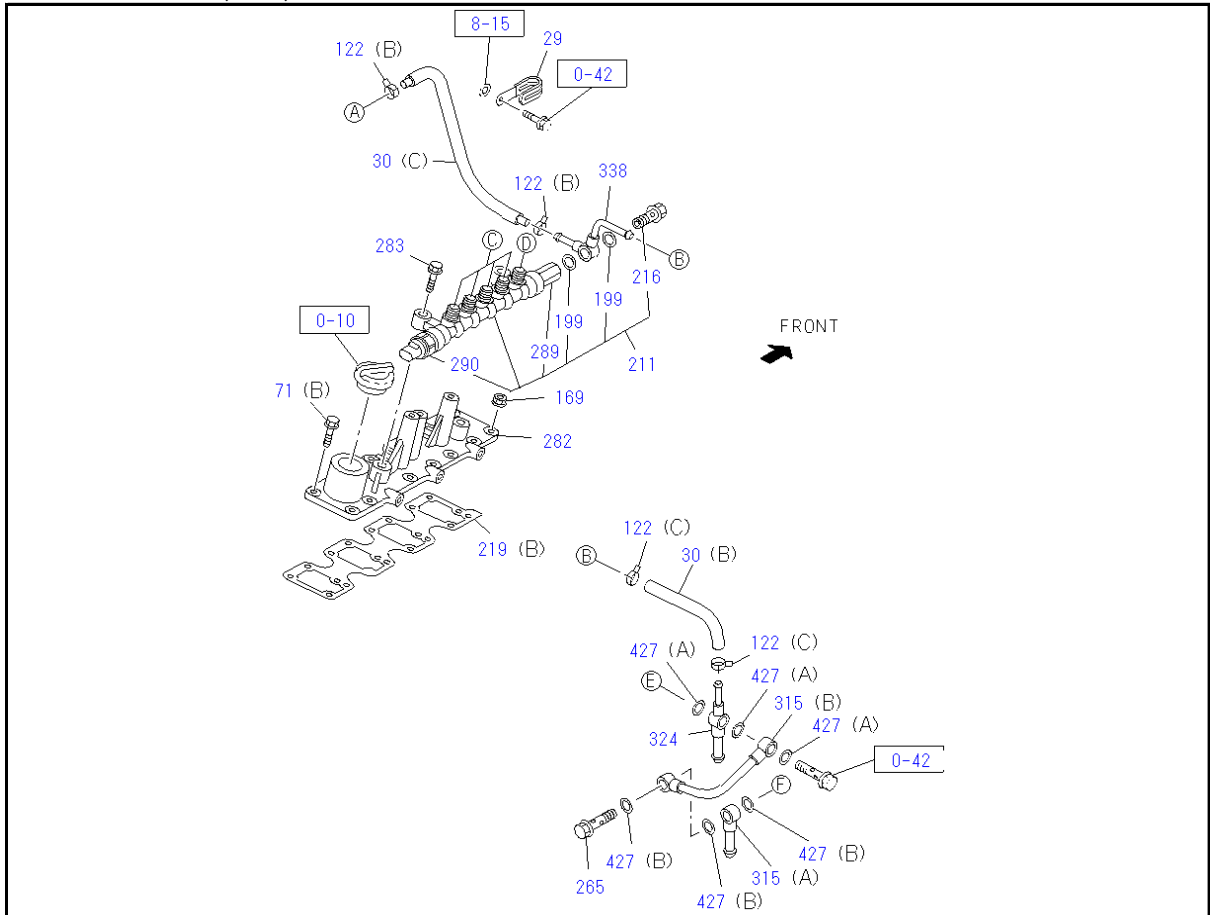
0-37 TURBOCHARGER



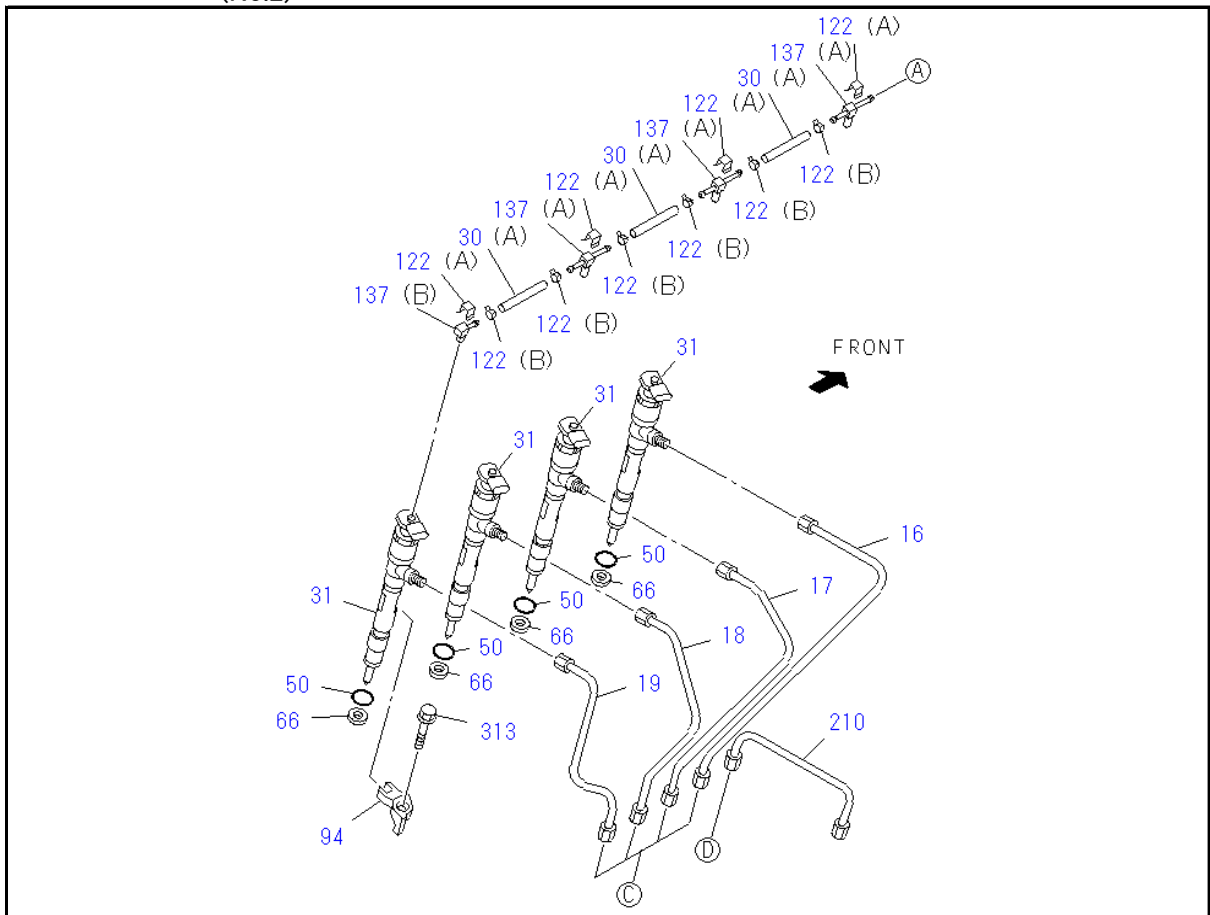
KEY No.	Part no.	qty	Part description	Engine serial no.
156 (B)	8-98238-413-0	1	HOSE SET; TURBOCHARGER	

0-40 FUEL INJECTION SYSTEM

(No.1)

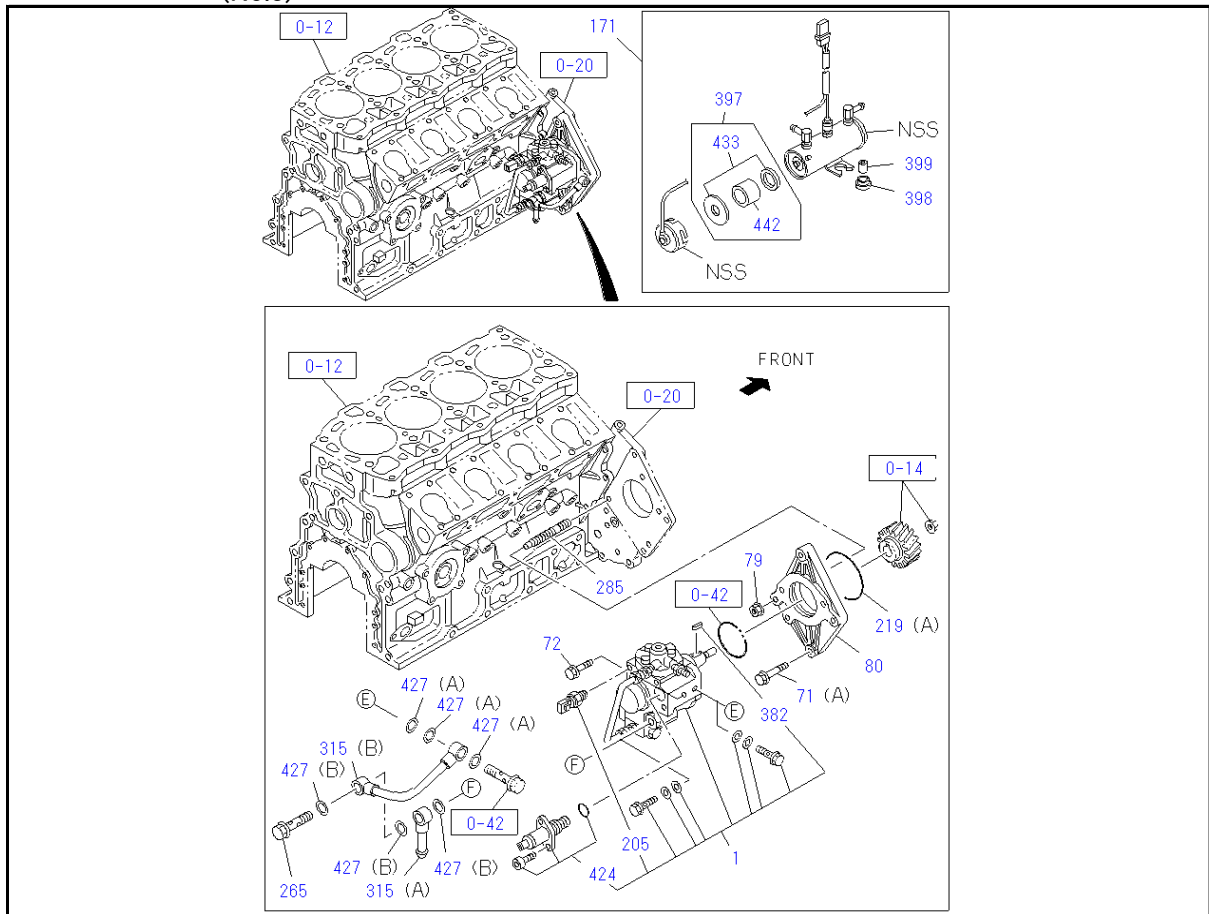


(No.2)



0-40 FUEL INJECTION SYSTEM

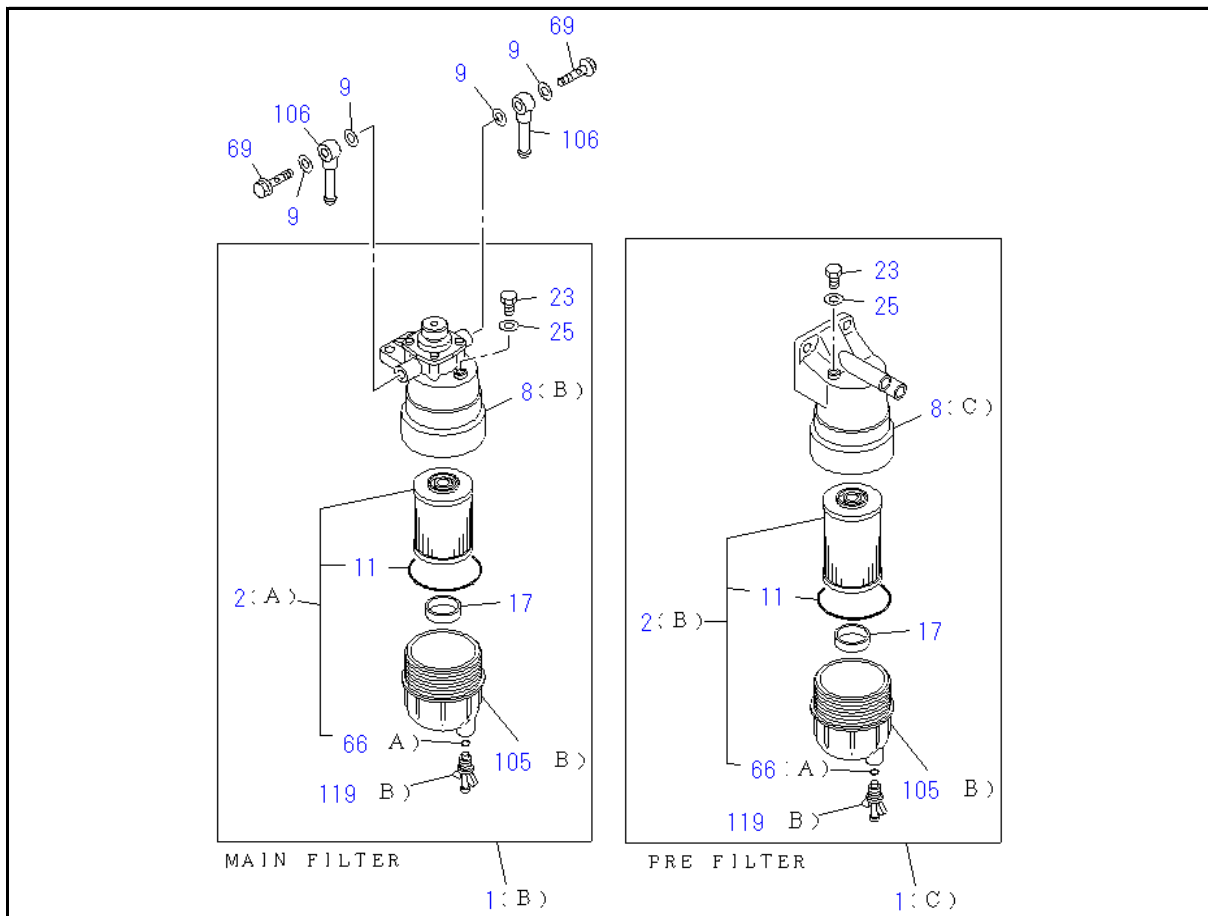
(No.3)



KEY No.	Part no.	qty	Part description	Engine serial no.
1	8-97386-558-4 <8-97386-558-3>	1	PUMP ASM; INJ	
16	8-98229-593-0	1	PIPE; INJ NO.1	
17	8-98229-594-0	1	PIPE; INJ NO.2	
18	8-98229-595-0	1	PIPE; INJ NO.3	
19	8-98229-596-0	1	PIPE; INJ NO.4	
29	8-97367-985-1	1	CLIP; HOSE ID=18 L=44	
30 (A)	8-98210-286-0	3	HOSE; RUBBER,FUEL LEAK	
30 (B)	8-97377-894-0	1	HOSE; RUBBER,FUEL LEAK 10	
30 (C)	8-98170-608-1	1	HOSE; RUBBER,FUEL LEAK	
31	8-98163-524-1	4	NOZZLE ASM; INJ	
50	8-97115-712-0	4	GASKET; NOZZLE HOLDER ID=17	
66	8-97171-331-0	4	GASKET; INJ NOZZLE ID=7.2 OD=15	
71 (A)	0-28151-030-0	2	BOLT; BRKT X30 FLANGE	
71 (B)	0-28050-820-0	8	BOLT; BRKT 20 FLANGE	
72	0-28650-830-0	3	BOLT; BRKT TO INJ PUMP M8X30 FLANGE	
79	0-91180-210-0	2	NUT; BRKT TO INJ PUMP M10 FLANGE	
80	8-98210-285-1	1	BRACKET; PUMP	
94	8-98209-417-0	4	BRACKET; INJ NOZZLE	
122 (A)	8-97315-286-0	4	CLIP; LEAK OFF PIPE	
122 (B)	8-97173-223-0 <8-97019-473-0>	8	CLIP; LEAK OFF PIPE 10.5	

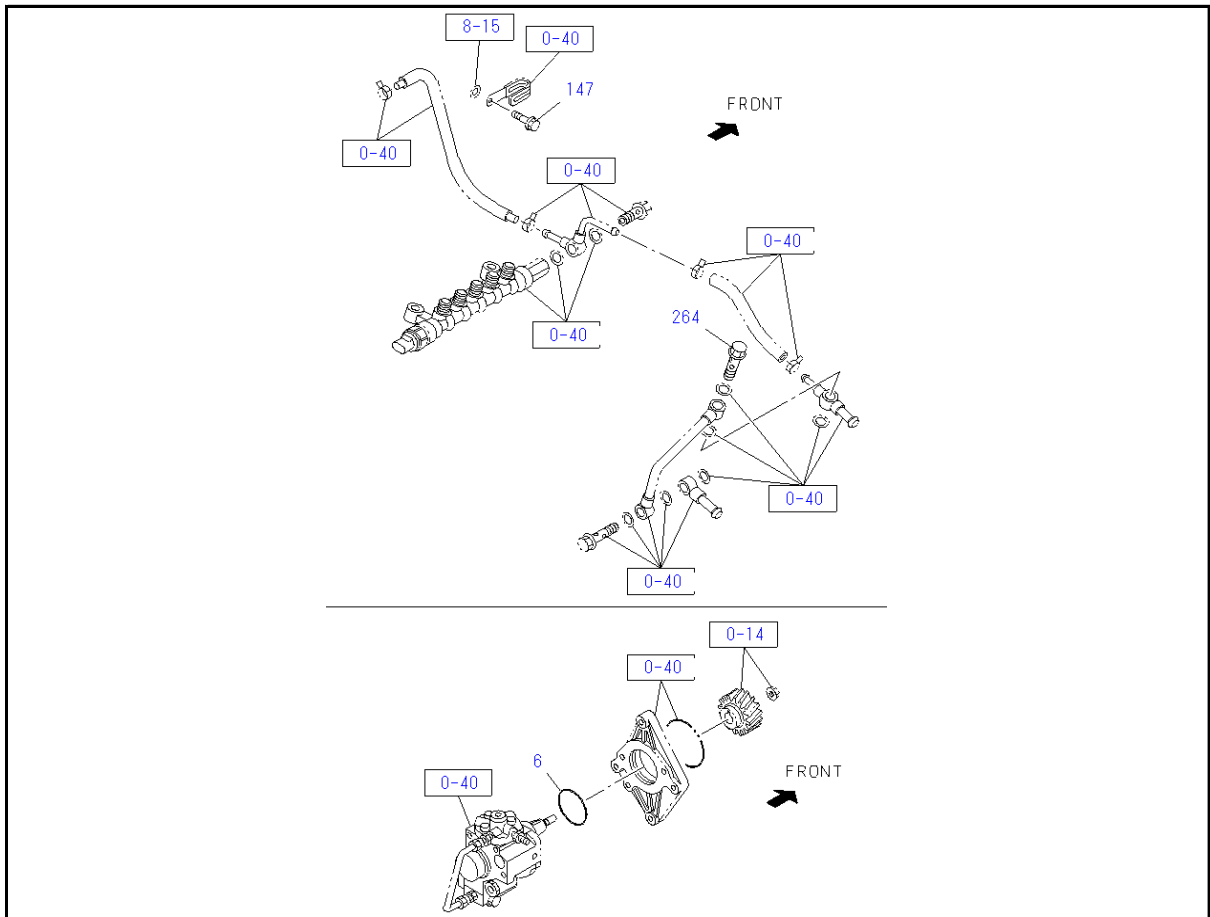
122 (C)	8-97375-638-0	2	CLIP; LEAK OFF PIPE 11.5	
137 (A)	8-98161-061-0	3	PIPE ASM; LEAK OFF	
137 (B)	8-98161-062-0	1	PIPE ASM; LEAK OFF	
169	0-91180-108-0	7	NUT; BRKT M8 FLANGE	
171	8-98068-275-0	1	PUMP ASM; FUEL FEED 12V	
199 (A)	8-97602-218-0	4	GASKET; EYE BOLT	
199 (B)	1-15619-507-0	2	GASKET; EYE BOLT	
205	8-98023-581-0	1	SENSOR; FUEL TEMP	
210	8-98209-882-0	1	PIPE; INJ,C/R	
211	8-98168-005-1	1	RALL ASM; COMMON	
216 (A)	8-98035-828-0	1	BOLT; EYE	
216 (B)	5-15759-003-0	1	BOLT; EYE	
216 (C)	8-97351-388-0	1	BOLT; EYE	
219 (A)	9-09566-271-0	1	GASKET;	
219 (B)	8-98210-017-0	1	GASKET;	
265	8-98074-955-0	1	VALVE; FEED PUMP	
282	8-98209-392-1	1	BRACKET; COMMON RAIL	
283	0-28151-030-0	2	BOLT; COMMON RAIL M10X30 FLANGE	
285	0-44011-030-0	2	STUD; BRKT M10X30 L=45	
289	8-98138-695-0	1	LIMITER; FUEL PRESS	
290	8-98138-736-0	1	SENSOR; PRESS	
313	8-94433-717-1	4	BOLT; BRKT,INJ NOZZLE	
315 (A)	8-98126-332-0	1	PIPE; FUEL,SUCTION	
315 (B)	8-98008-789-1	1	PIPE; FUEL,SUCTION	
324	8-98210-294-0	1	PIPE; FUEL RETURN	
338	8-98210-295-0	1	PIPE; C/RAIL,LEAK OFF	
382	8-98161-995-0	1	KEY; DRIVE SHAFT	
397	8-98173-165-0	1	REPAIR KIT; FUEL PUMP MESH FILTER	
398	8-97047-266-0	2	GROMMET; FUEL PUMP	
399	8-97047-265-0	2	COLLAR; FUEL PUMP	
424	8-98145-502-1	1	OVERHAUL KIT: SUPPLY PUMP	
427 (A)	1-09630-083-0	3	GASKET; FUEL PIPE 10.2 OD=15.2	
427 (B)	8-98251-345-0	3	GASKET; FUEL PIPE 14.2 OD=19.2	
433	8-98071-404-0	1	GASKET KIT; FUEL PUMP	
442	8-98071-401-0	1	FILTER; FUEL PUMP MESH FILTER	

0-41 FUEL FILTER AND BRACKET



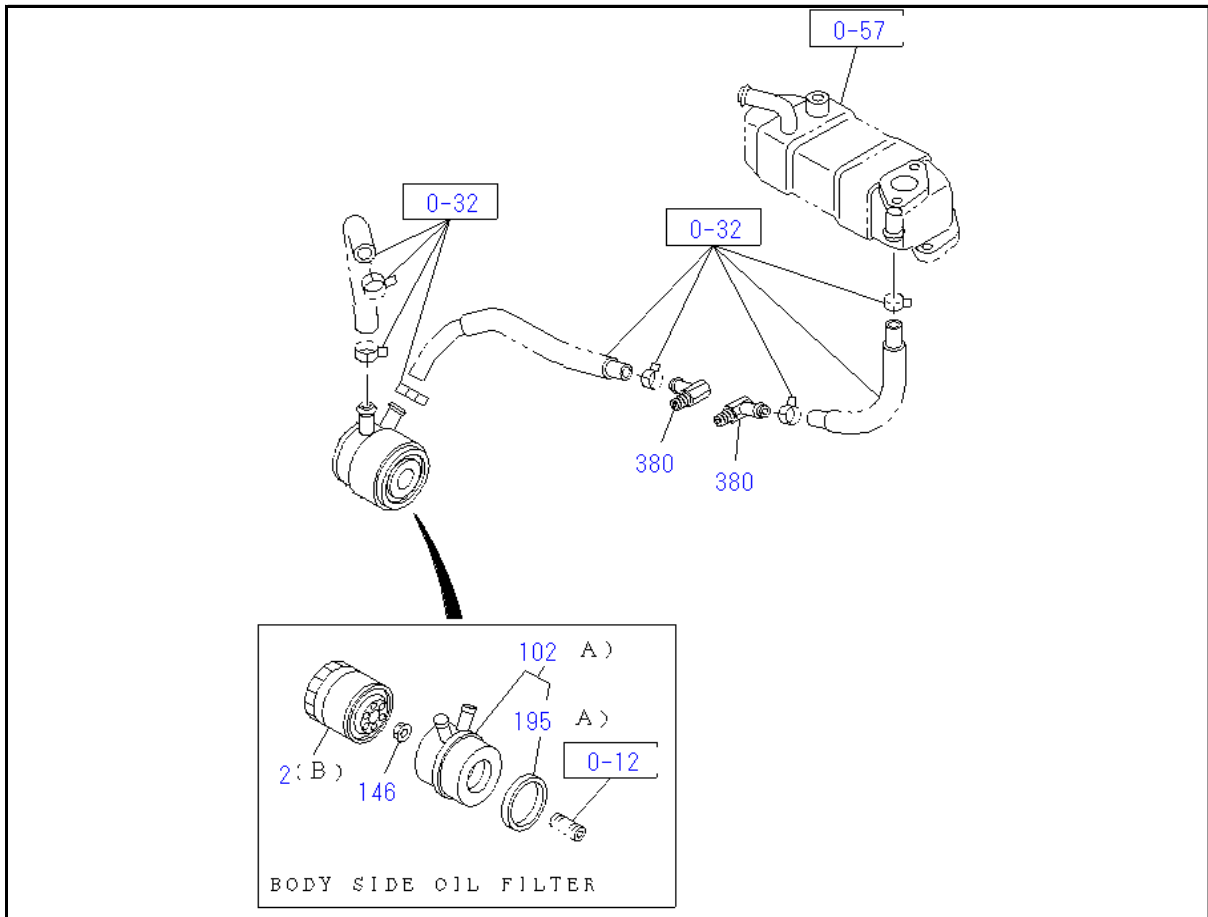
KEY No.	Part no.	qty	Part description	Engine serial no.
1 (B)	8-98236-990-0	1	FILTER ASM; FUEL N DUAL FILTER	
1 (C)	8-98236-991-0	1	FILTER ASM; FUEL SINGLE FILTER	
2 (A)	8-98240-280-0	1	ELEMENT KIT;FUEL FILTER N DUAL FILTER	
2 (B)	8-98240-279-0	1	ELEMENT KIT;FUEL FILTER SINGLE FILTER	
8 (B)	8-98242-619-0	1	COVER; FUEL FILTER N FILTER	
8 (C)	8-98242-609-0	1	COVER; FUEL FILTER FILTER	
9	8-98251-345-0	8	GASKET; EYE JOINT ID=14.2 OD=19.2	
11	8-98242-617-0	2	GASKET; CASE TO BODY,FUEL FILTER	
17	8-98242-612-0	2	FLOAT; FUEL FILTER	
23	8-98242-614-0	2	PLUG; COVER	
25	8-98242-615-0	2	GASKET; AIR DRAIN PLUG	
66 (A)	8-98008-843-0	2	GASKET; PLUG,FUEL FILTER	
69	1-09675-193-0	4	BOLT; EYE,FUEL FILTER	
105 (B)	8-98242-611-0	2	CASE; FUEL FILTER	
106	8-98126-332-0	4	PIPE; FUEL	
119 (B)	8-98242-616-0	2	PLUG; DRAIN,FUEL FILTER	

0-42 FUEL PUMP AND PIPE



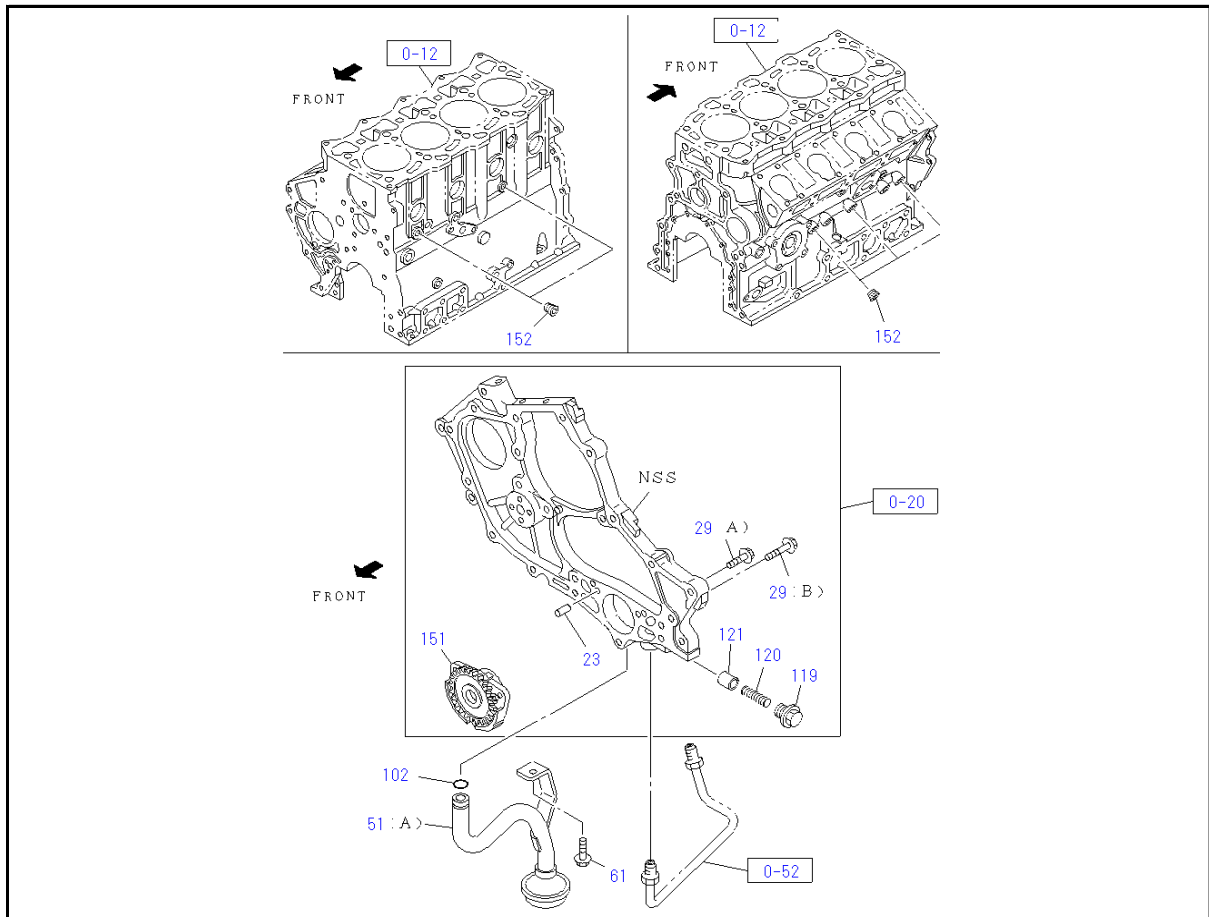
KEY No.	Part no.	qty	Part description	Engine serial no.
6	1-09623-541-0	1	GASKET; FUEL PUMP ID=49.7	
147	0-28050-812-0	1	BOLT; CLIP,FUEL PIPE M8X12 FLANGE	
264	8-98011-269-0	1	BOLT; EYE M10X38 EYE-BOLT	

0-50 OIL COOLER AND OIL FILTER



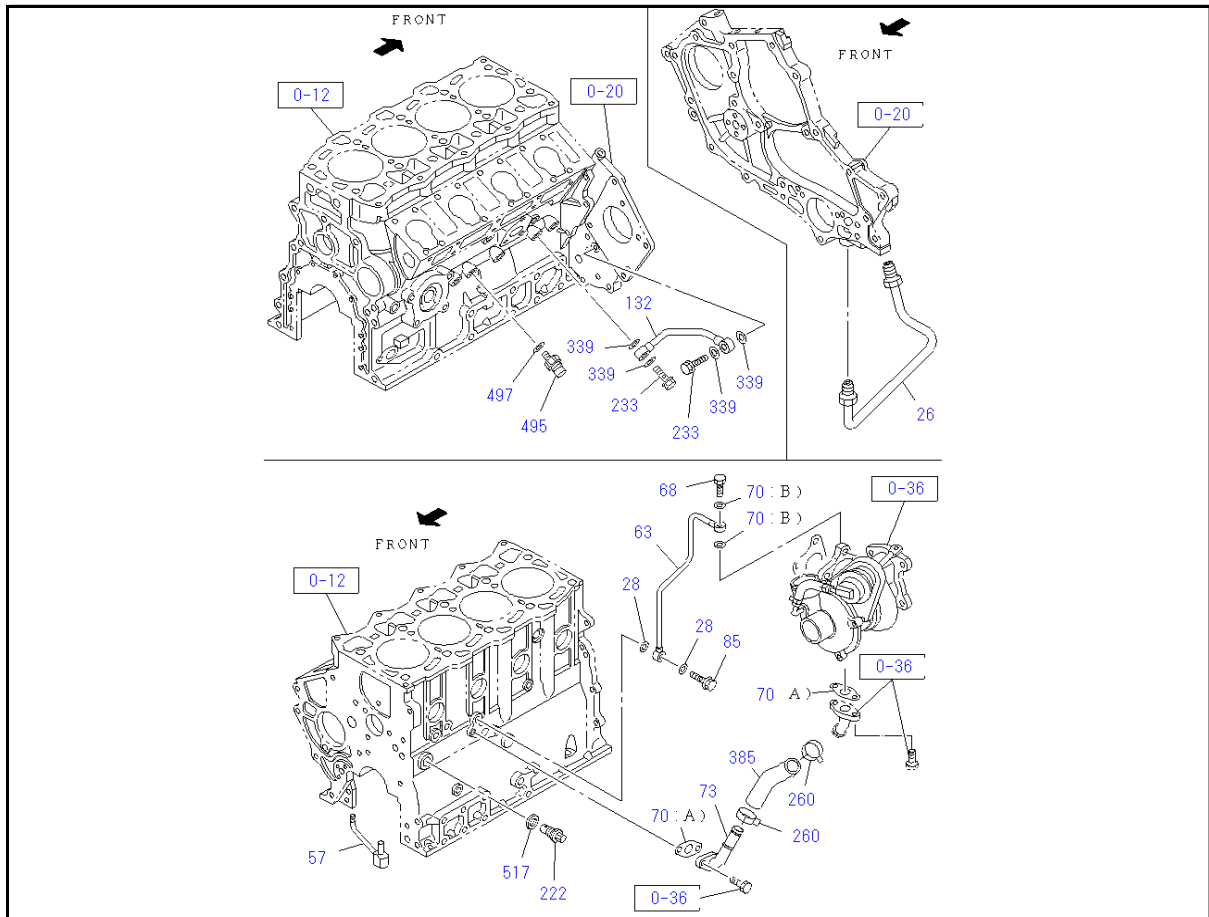
KEY No.	Part no.	qty	Part description	Engine serial no.
2 (B)	8-94456-741-2	1	ELEMENT; OIL FILTER	
102 (A)	8-97102-320-0	1	COOLER ASM; OIL	
146	8-94368-501-0	1	NUT; STUD,OIL COOLER	
195 (A)	8-94370-828-0	1	GASKET; OIL COOLER	
380	8-98063-668-1	2	CONNECTOR; WATER	

0-51 OIL PUMP AND OIL STRAINER



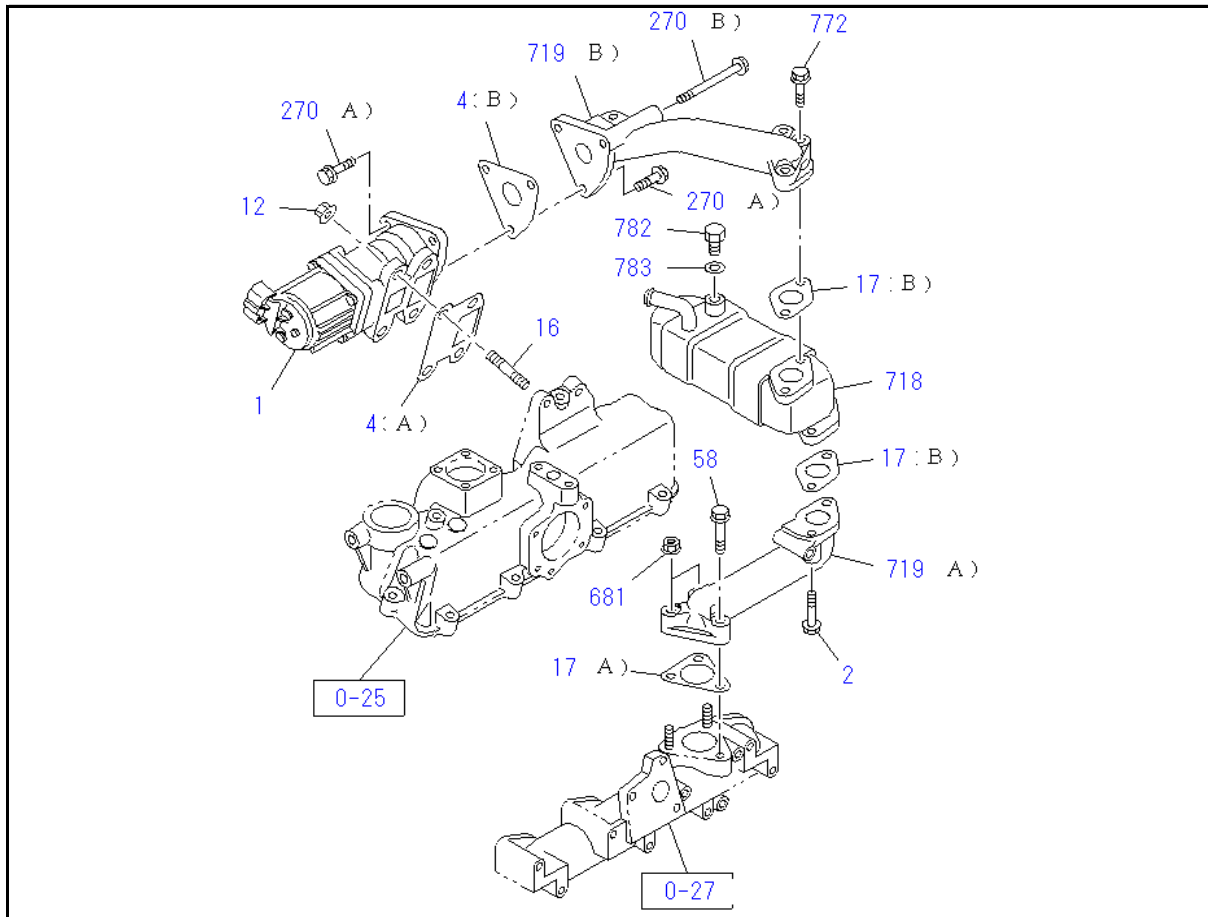
KEY No.	Part no.	qty	Part description	Engine serial no.
23	9-08150-616-0	2	PIN; BODY,OIL PUMP OD=6 L=16	
29 (A)	0-28050-630-0	2	BOLT; OIL PUMP 30 FLANGE	
29 (B)	0-28050-650-0	1	BOLT; OIL PUMP 50 FLANGE	
51 (A)	8-98097-956-0	1	STRAINER & PIPE ASM; OIL	
61	0-28050-816-0	1	BOLT; OIL STRAINER M8X16 FLANGE	
102	1-09623-588-0	1	GASKET; STRAINER	
119	8-98097-771-1	1	PLUG; RELIEF VLV	
120	8-97175-639-0	1	SPRING; RELIEF VLV	
121	8-94235-567-1	1	VALVE; RELIEF,OIL PUMP	
151	8-97083-576-1	1	PUMP SUB ASM; OIL	
152	8-97369-552-1	5	PLUG PT 1/8	

0-52 OIL AND VACUUM PIPING; ENGINE



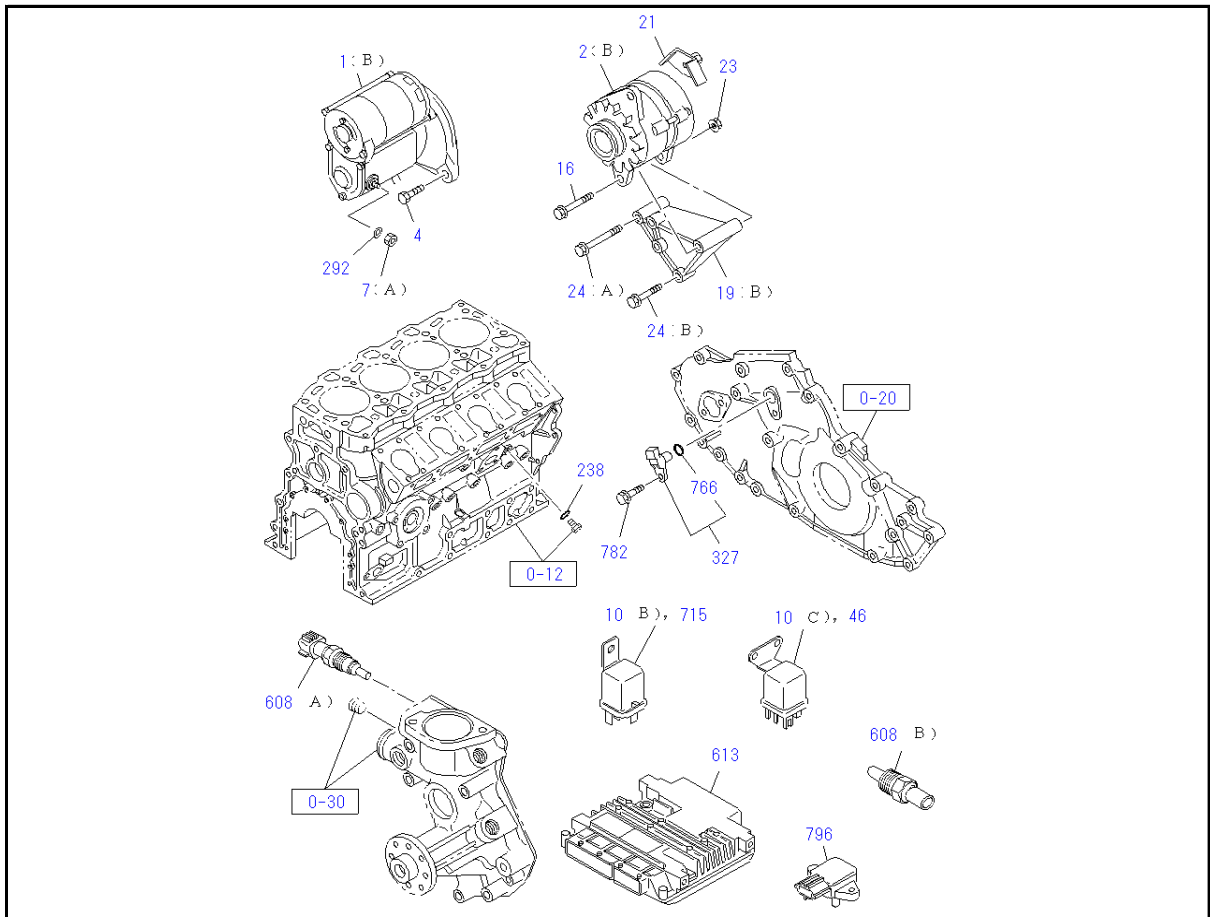
KEY No.	Part no.	qty	Part description	Engine serial no.
26	8-97045-400-0	1	PIPE; OIL,PUMP TO C/BL	
28	9-09571-410-0	2	GASKET; OIL PIPE ID=10.2 OD=16.0	
57	8-98210-268-0	4	PIPE; OIL,OIL JET	
63	8-98095-978-0	1	PIPE; OIL,TURBOCHARGER FEED	
68	8-94332-831-1	1	BOLT; EYE,OIL PIPE,TURBOCHARGER SIDE M10X23 FLANGE	
70 (A)	8-94362-672-1	2	GASKET; OIL PIPE,TURBOCHARGER	
70 (B)	9-09571-410-0	2	GASKET; OIL PIPE,TURBOCHARGER 10.2 OD=16.0	
73	8-98163-461-0	1	PIPE ASM; OIL,TURBOCHARGER	
85	9-09906-173-1	1	BOLT; EYE,OIL PIPE FIX M10X25	
132	8-98209-880-0	1	PIPE ASM; OIL,INJ PUMP FEED	
222	8-97175-703-1	1	VALVE ASM; CHECK	
233	5-09675-018-1	2	BOLT; EYE M8X20 EYE-BOLT	
260	8-94125-862-1	2	CLIP; HOSE,TURBOCHARGER RETURN ID=20.8	
339	9-09571-408-0	4	GASKET; OIL PIPE ID=8.2 OD=14	
385	8-98180-683-0	1	HOSE; RUBBER,OIL	
495	8-98027-456-0	1	SENSOR; OIL PRESS	
497	8-98251-345-0	1	GASKET; SENSOR ID=14.2 OD=19.2	
517	9-09571-416-0	1	GASKET; CHECK VLV ID=16.2 OD=24	

0-57 EMISSION PIPING



KEY No.	Part no.	qty	Part description	Engine serial no.
1	8-98239-480-1	1	VALVE; EGR 12V	
2	8-98053-224-0	2	BOLT; EGR VLV M8X35 FLANGE	
4 (A)	8-98296-306-0	1	GASKET; EGR VLV	
4 (B)	8-98210-016-0	1	GASKET; EGR VLV	
12	0-91180-108-0	4	NUT; EGR VLV M8 FLANGE	
16	0-41010-822-0	4	STUD; EGR VLV M8X22 L=34	
17 (A)	8-97367-918-0	1	GASKET; EGR PIPE	
17 (B)	8-98210-015-0	2	GASKET; EGR PIPE	
58	8-98065-481-0	1	BOLT; PIPE M8X43 FLANGE	
270 (A)	0-28050-825-0	2	BOLT; 25 FLANGE	
270 (B)	0-28050-880-0	1	BOLT; 80 FLANGE	
681	8-97161-607-0	2	NUT; EGR PIPE M8 FLANGE	
718	8-98163-484-0	1	COOLER; EGR	
719 (A)	8-98209-876-0	1	PIPE; EGR	
719 (B)	8-98209-885-0 <8-98209-885-1>	1	PIPE; EGR	
772	8-98053-224-0	2	BOLT; EGR PIPE M8X35 FLANGE	
782	8-98072-712-0	1	PLUG; EGR COOLER M10X9	
783	9-09571-410-0	1	GASKET; PLUG ID=10.2 OD=16.0	

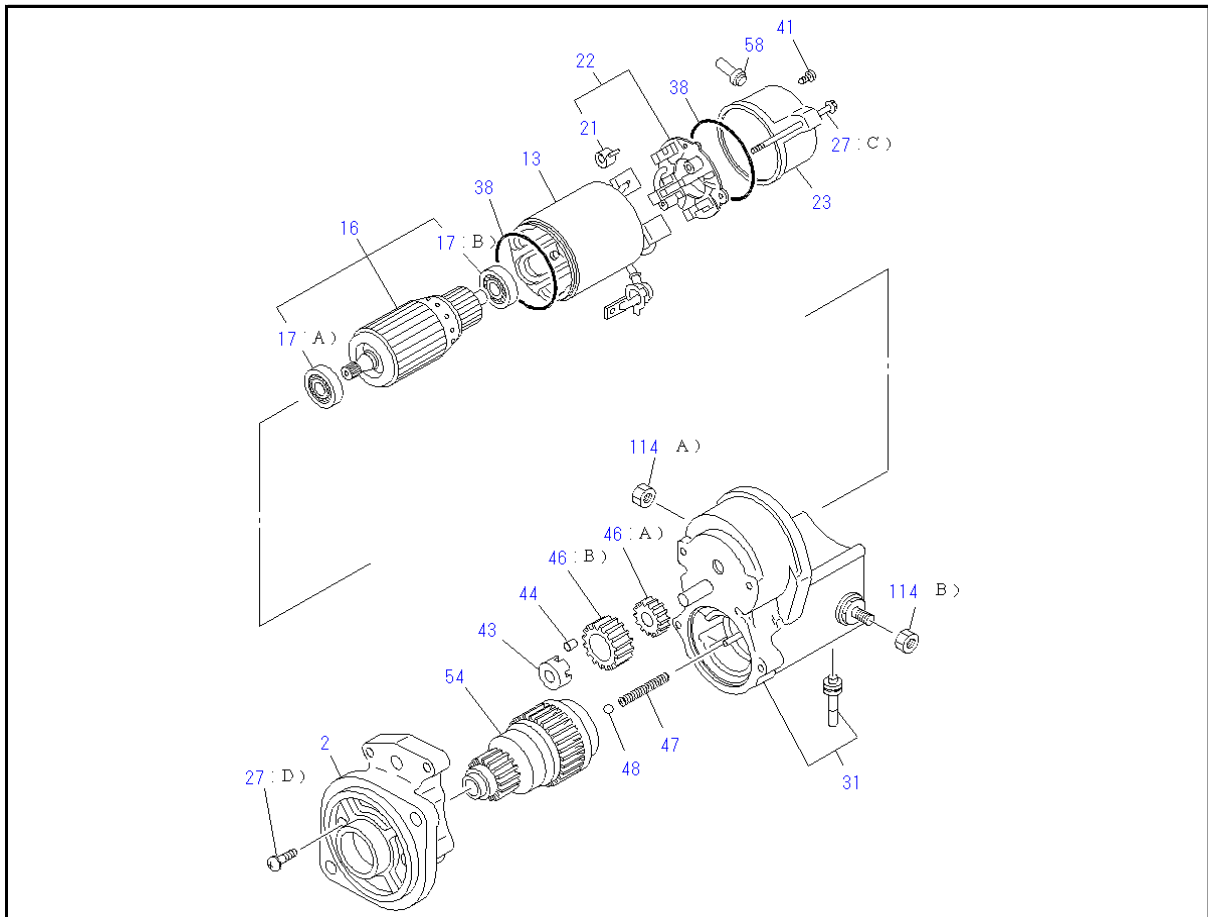
0-60 ENGINE ELECTRICAL CONTROL PARTS



KEY No.	Part no.	qty	Part description	Engine serial no.
1 (B)	8-97112-865-2	1	STARTER ASM -2.0KW DENSO	
2 (B)	8-97228-318-1	1	GENERATOR ASM -50A HITACHI	
4	0-28151-230-0	2	BOLT; STARTER M12X30 FLANGE	
7 (A)	0-91111-508-0	1	NUT; STARTER	
10 (B)	5-82550-029-0	1	RELAY; STARTER LABEL YELLOW	
10 (C)	8-94248-161-0	1	RELAY; STARTER LABEL GREEN	
16	0-28055-812-0	1	BOLT; GEN M8X120 FLANGE	
19 (B)	8-98048-890-0	1	BRACKET; GEN	
21	8-97378-857-0	1	BRACKET; GEN	
23	0-91180-208-0	1	NUT; GEN M8 FLANGE	
24 (A)	0-28050-870-0	1	BOLT; GEN BRKT 70 FLANGE	
24 (B)	0-28051-045-0	1	BOLT; GEN BRKT X45 FLANGE	
46	8-97011-949-0	1	RELAY; GLOW PLUG 12V LABEL BLUE	
238	1-09630-141-0	1	GASKET; PICKUP ID=14.2 OD=25	
292	0-91510-808-0	1	WASHER; LK,STARTER ID=8.2	
327	8-98019-024-0	1	SENSOR; CAMSHAFT POSITION	
608 (A)	8-98156-648-0	1	SENSOR; TEMP	

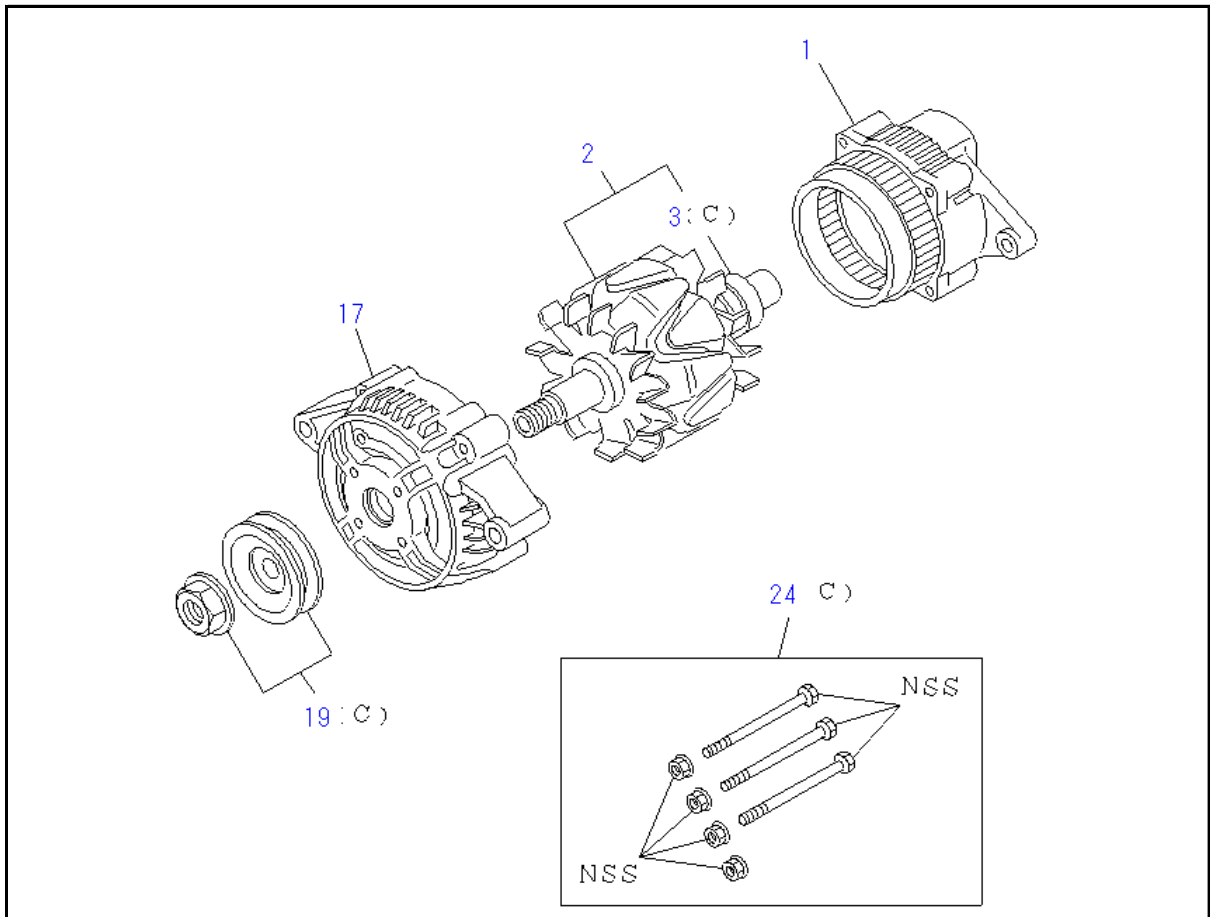
KEY No.	Part no.	qty	Part description	Engine serial no.
608 (B)	8-12146-830-0	1	SENSOR; TEMP	
613	8-98322-252-0	1	CONTROL UNIT; ENG	
715	5-82550-029-0	1	RELAY; FUEL PUMP 12V LABEL YELLOW	
766	8-97369-404-0	1	GASKET; SENSOR ID=14.2 OD=18.8	
782	0-28050-612-0	1	BOLT; SENSOR M6X12 FLANGE	
796	8-97217-778-0	1	SENSOR; MAP	

0-65 STARTER



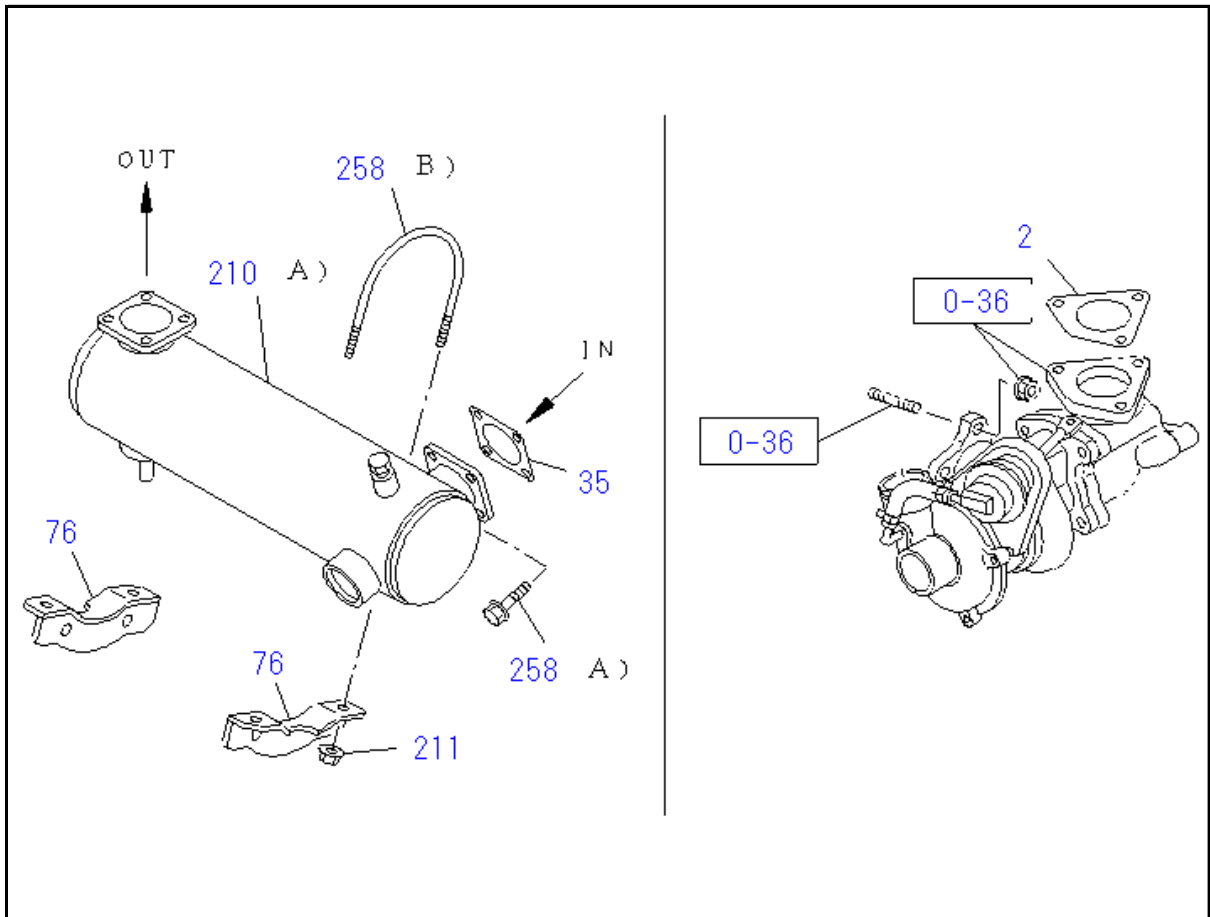
KEY No.	Part no.	qty	Part description	Engine serial no.
2	8-97112-871-0	1	CASE; PINION,STARTER	
13	8-97135-497-0	1	YOKE; STARTER	
16	8-97112-869-0	1	ARMATURE; STARTER	
17 (A)	5-09800-079-0 <8-94377-240-0>	1	BEARING; ARMATURE,STARTER	
17 (B)	8-97112-954-0	1	BEARING; ARMATURE,STARTER	
21	8-97112-880-0	4	SPRING; BRUSH HOLDER STARTER	
22	8-97112-873-0	1	HOLDER; BRUSH STARTER	
23	8-97112-875-0	1	COVER; RR COVER STARTER	
27 (C)	8-97112-957-0	2	BOLT; THROUGH,STARTER	
27 (D)	8-97112-881-0	2	BOLT; THROUGH,STARTER	
31	8-97112-872-0	1	SWITCH; ENGAGE STARTER	
38	8-94170-214-0	2	GASKET; RR COVER,STARTER	
41	8-97142-903-0	2	SCREW; RR COVER,STARTER	
43	8-94377-246-0	1	RETAINER; PINION STARTER	
44	5-81129-099-0	5	ROLLER; PINION STARTER	
46 (A)	8-97078-649-0	1	GEAR; CLU STARTER	
46 (B)	8-97112-879-0	1	GEAR; CLU STARTER	
47	8-94377-245-0	1	SPRING; PINION STARTER	
48	5-81129-092-0	1	BALL; PINION,STARTER	
54	8-97112-870-0	1	CLUTCH; PINION,STARTER	
58	8-94377-239-1 <8-94377-239-0>	1	PIPE; DRAIN RR COVER STARTER	
114 (A)	5-09400-042-0 <8-94109-763-0>	1	NUT; TERMINAL	
114 (B)	8-94377-238-0	1	NUT; TERMINAL	

0-66 GENERATOR



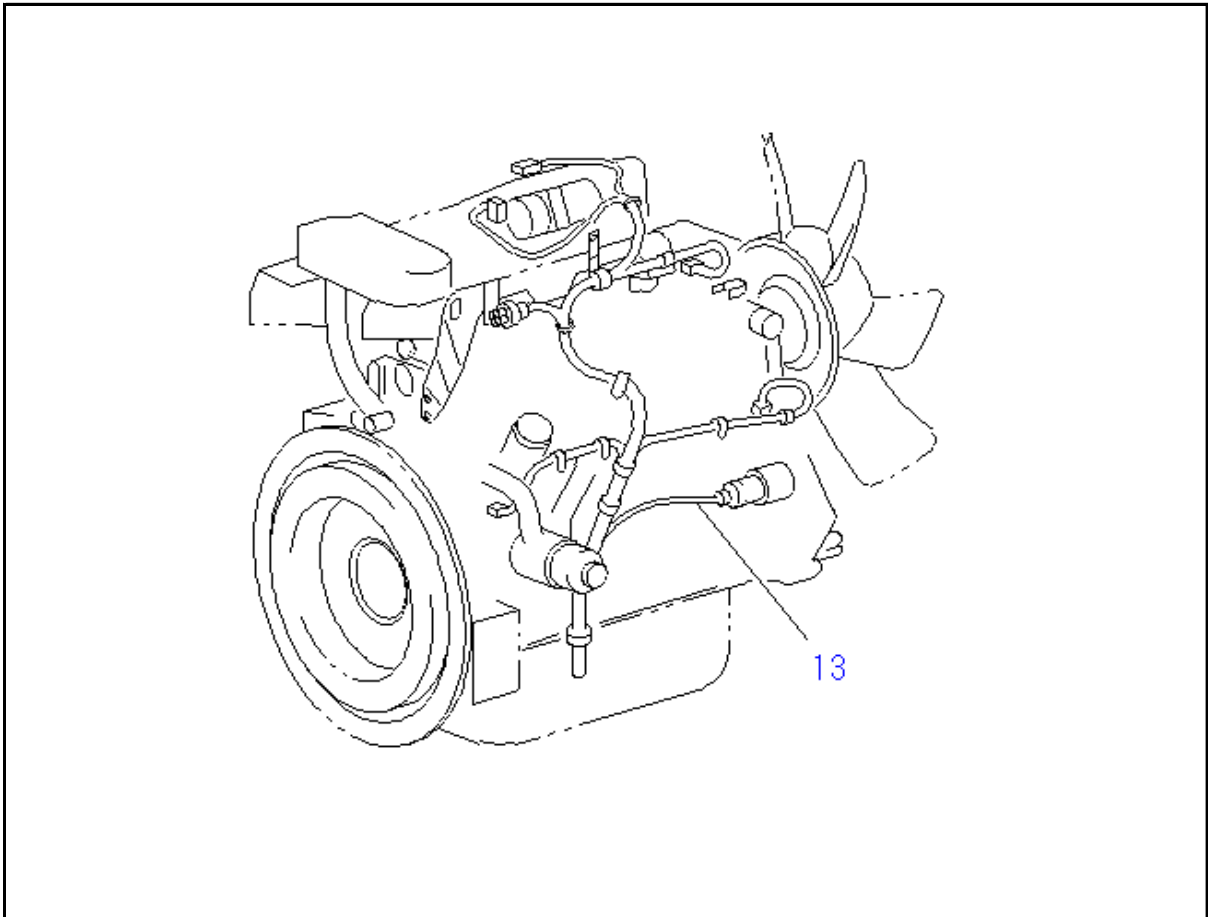
KEY No.	Part no.	qty	Part description	Engine serial no.
1	8-98239-409-0	1	COVER ASM; RR,GEN	
2	8-97212-500-0	1	ROTOR; GEN	
3 (C)	8-97103-807-0	1	BEARING; ROTOR,GEN	
17	8-97256-037-0	1	COVER ASM; FRT,GEN	
19 (C)	8-97212-508-0	1	PULLEY; GEN	
24 (C)	8-97212-510-0	1	SCREW; RECTIFIER,GEN	

1-50 EXHAUST PIPE AND SILENCER



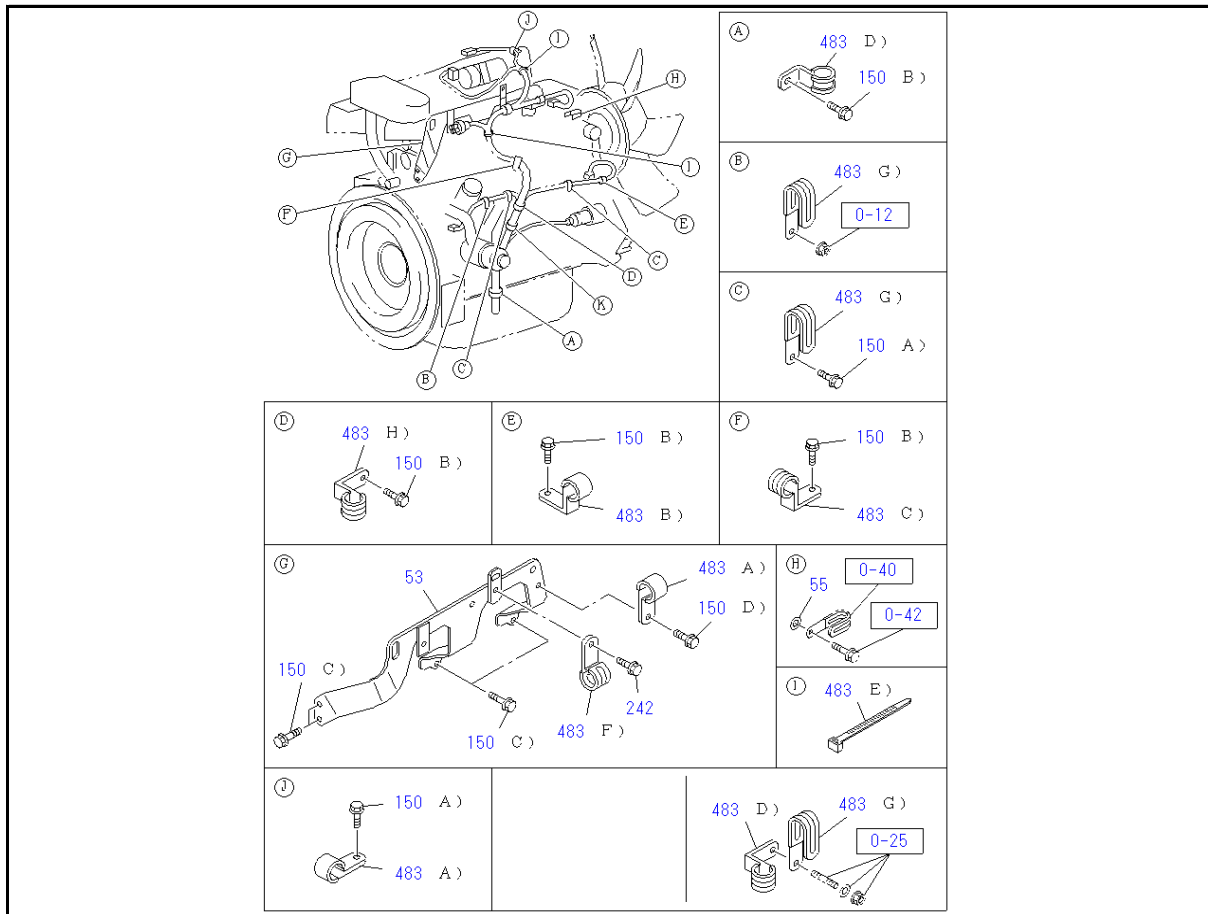
KEY No.	Part no.	qty	Part description	Engine serial no.
2	8-97367-918-0	1	GASKET; PIPE TO MANIF	
35	8-97373-108-0	1	GASKET; EXH PIPE TO MANIF	
76	8-98228-433-0	2	SUPPORT; BRKT	
210 (A)	8-98235-389-0	1	CONVERTER; E 1	
211	8-97161-607-0	4	NUT; CONV M8 FLANGE	
258 (A)	8-98043-528-0	4	BOLT; CONV BRKT 28 FLANGE	
258 (B)	8-98210-323-0	2	BOLT; CONV BRKT	

8-10 WIRING HARNESS AND FUSE



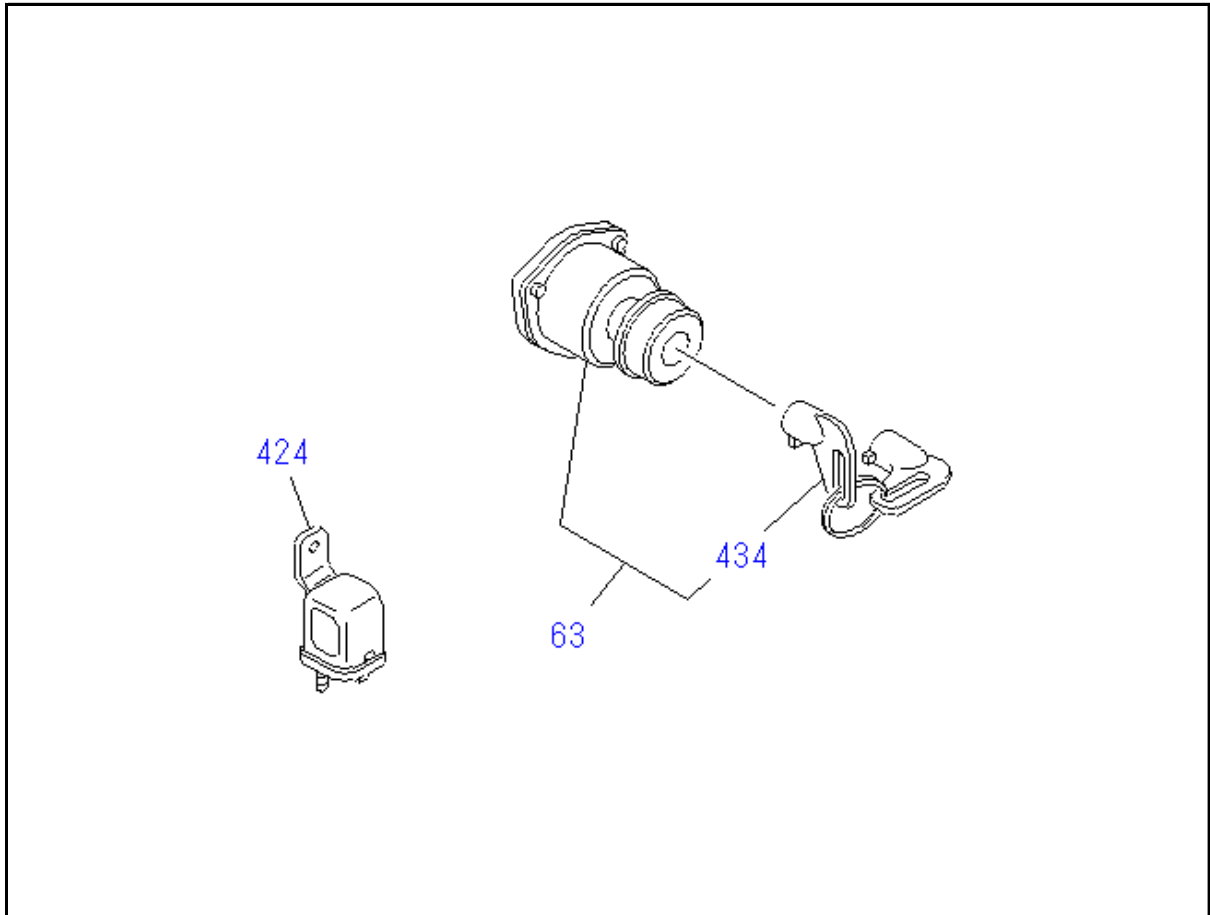
KEY No.	Part no.	qty	Part description	Engine serial no.
13	8-98228-731-0	1	HARNESS; ENG	

8-15 FIXING PARTS; WIRING HARNESS



KEY No.	Part no.	qty	Part description	Engine serial no.
53	8-98209-450-1	1	BRACKET; HARNESS	
55	1-14319-034-0 <0-91610-608-0>	1	WASHER; PL,CLIP ID=8.4 OD=18	
150 (A)	0-28050-612-0	3	BOLT; CLIP 12 FLANGE	
150 (B)	0-28050-812-0	4	BOLT; CLIP 12 FLANGE	
150 (C)	0-28050-816-0	4	BOLT; CLIP 16 FLANGE	
150 (D)	0-28050-616-0	1	BOLT; CLIP 16 FLANGE	
242	0-28050-820-0	1	BOLT; BRKT,HARNESS M8X20 FLANGE	
483 (A)	0-95235-022-0	2	CLIP; ENG HARNESS 11 L=16	
483 (B)	1-09700-813-0	1	CLIP; ENG HARNESS 13 H=18 L=20	
483 (C)	1-09700-948-0	1	CLIP; ENG HARNESS 28 H=45 L=30	
483 (D)	1-09700-994-0	2	CLIP; ENG HARNESS 31 H=30 L=35	
483 (E)	5-09707-030-1	2	CLIP; ENG HARNESS 50	
483 (F)	8-94176-807-1	1	CLIP; ENG HARNESS 21 L=24	
483 (G)	8-97367-985-1	4	CLIP; ENG HARNESS 18 L=44	
483 (H)	1-09701-277-0	1	CLIP; ENG HARNESS 26 H=32 L=40	

8-25 SWITCH AND RELAY; INSTRUMENT PANEL



KEY No.	Part no.	qty	Part description	Engine serial no.
63	8-94402-500-0	1	SWITCH ASM; STARTER	
424	5-82550-029-0	1	RELAY 12V LABEL YELLOW	
434	8-94402-498-0	1	KEY; STARTER SW	