

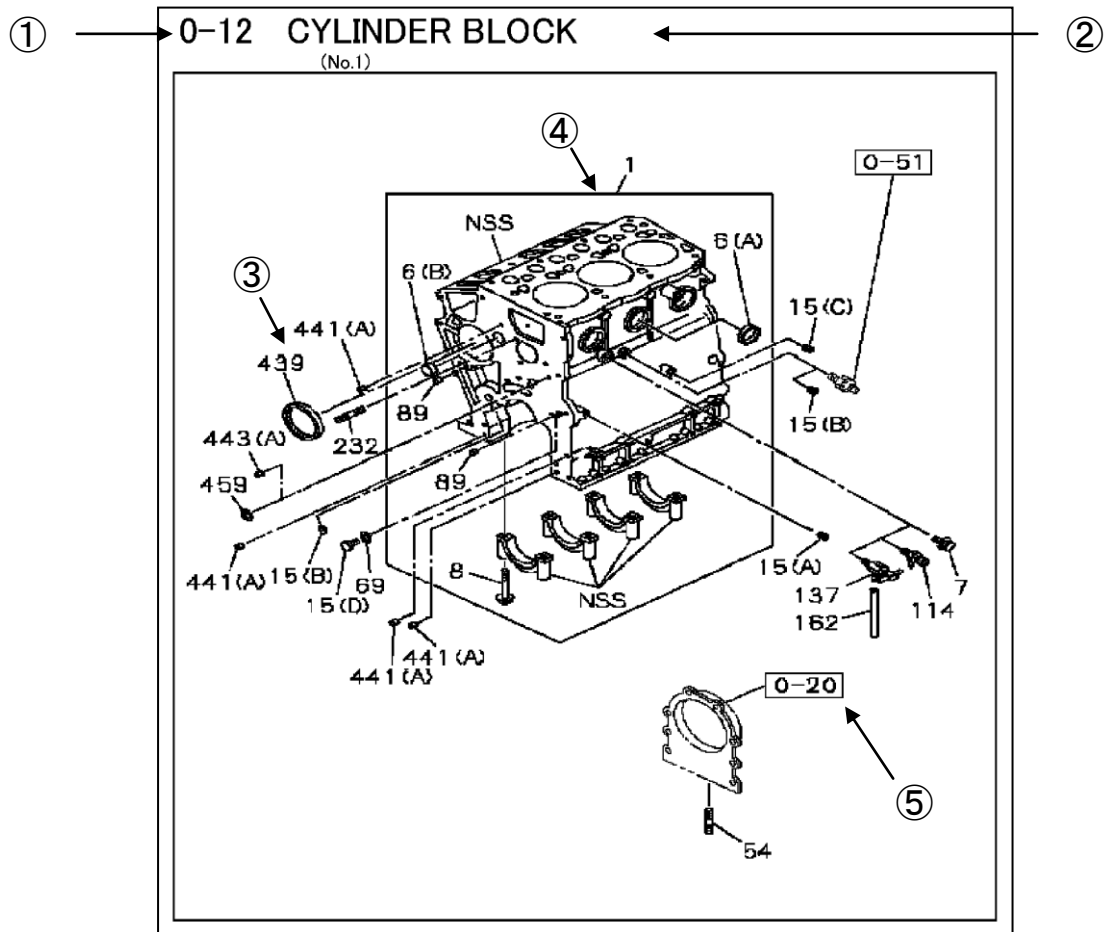
ISUZU

DIESEL ENGINE

4BG1 TRD03

PARTS CATALOG

How to refer to the Parts Catalog



① FIG NO.

A 3-digit (X-XX) Figure Number has been assigned to every section/illustration of the catalog.

The first digit of the Figure Number identifies the primary catalog section.

And the second and third digits identify the subsections.

EXAMPLE : 0-12 = Engine (0) ; Cylinder Block (12).

② ILLUSTRATION TITLE

The title contains a generic name(s) for the item(s) illustrated.

③ **KEY NUMBER**

The Key Number connects the illustrated part to the appropriate text.

Items identified with a “NSS” (Not Serviced Separately) are not available individually, however, they may be available as part of an assembly.

④ **ASSEMBLIES, KITS, SETS AND THEIR COMPONENTS**

Assemblies, Kits and/or Sets are shown within a frame/box. Also shown within the frame/box are any components included with the assembly, Kit or Set.

⑤ **SEE FIG NO.**

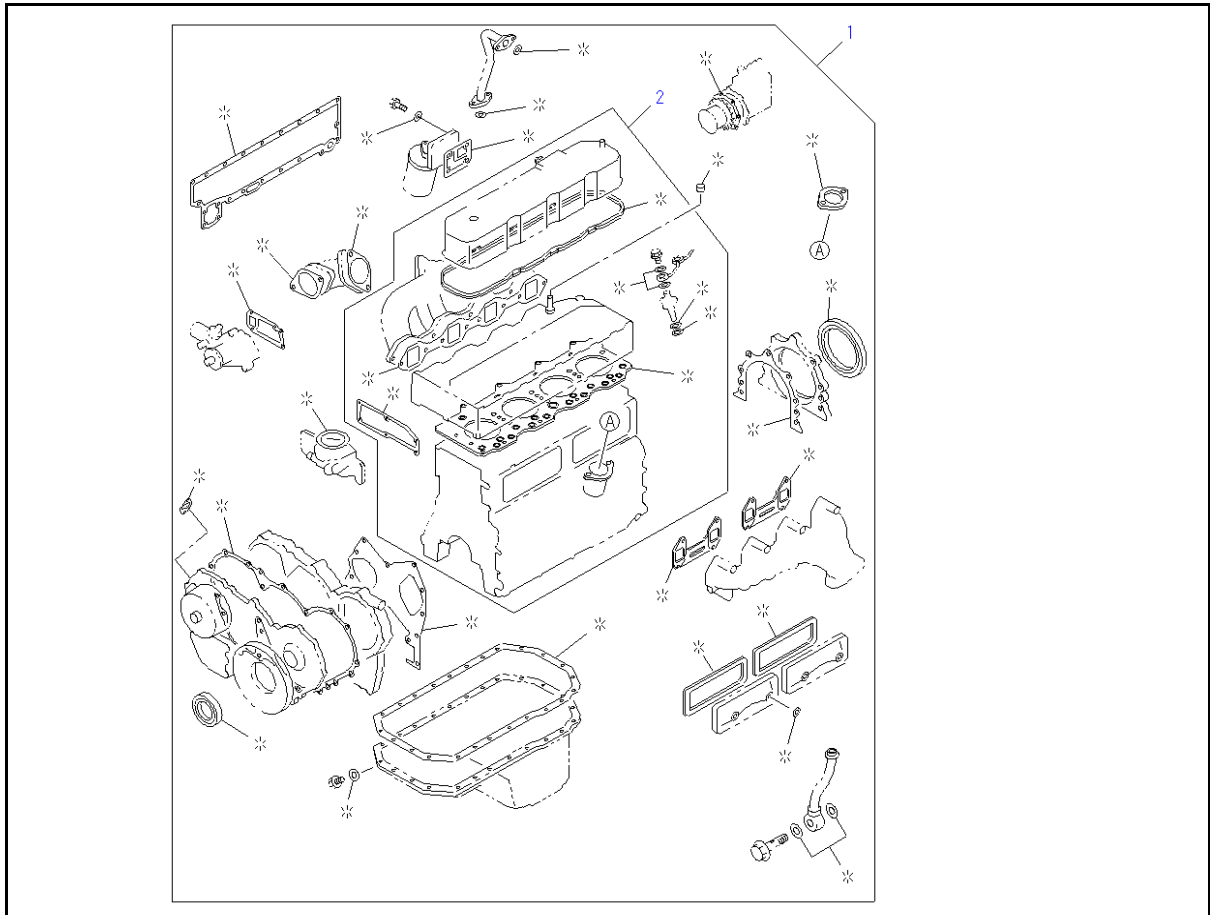
Items shown as a point of reference are not identified with a Key Number. These items are shown because of the way they fit within the illustration. They are described in more detail in another section of the Catalog.

The applicable catalog section is shown next to the illustration.

FIGURE NUMBER INDEX

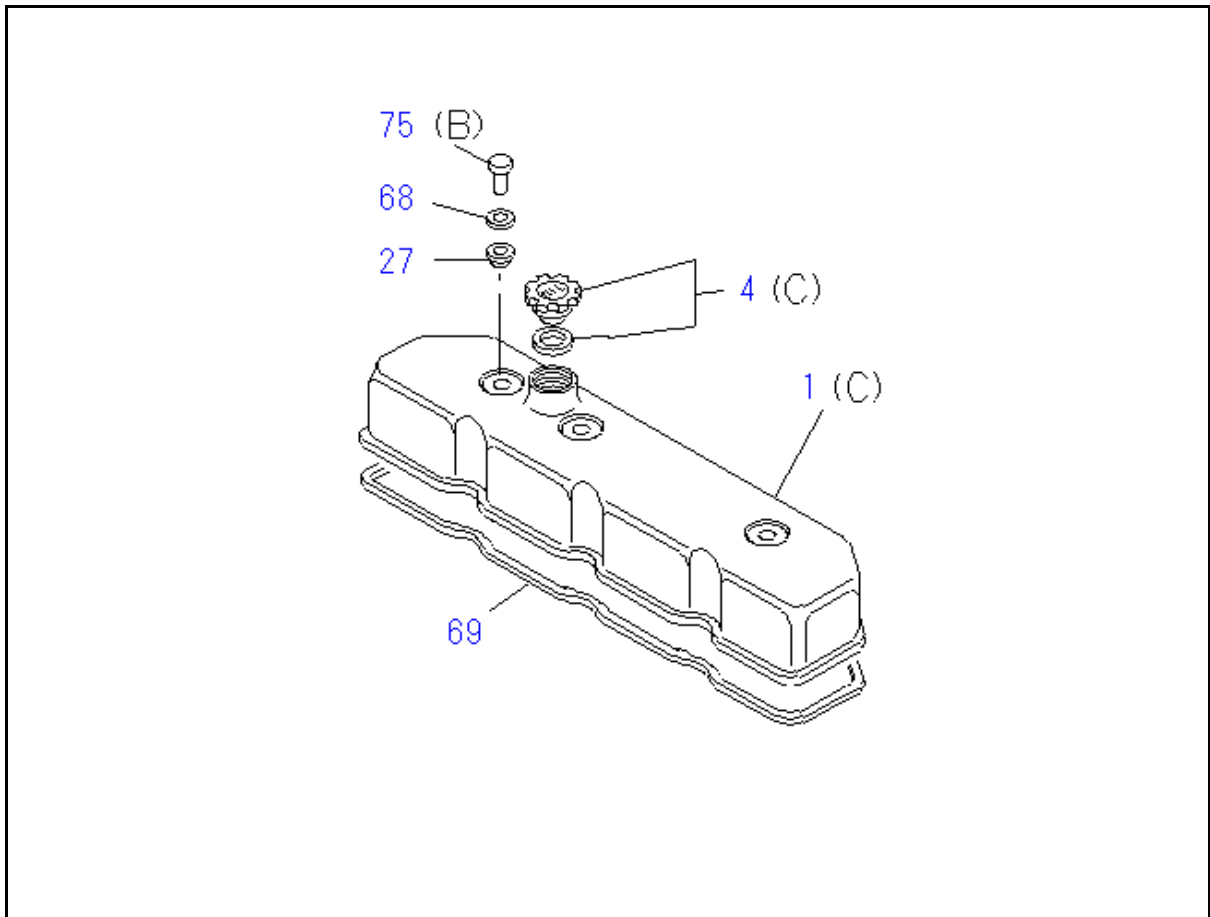
FIG NO.	TITLE (SUBTITLE)	PAGE
0-05	ENGINE GASKET KIT	1
0-10	CYLINDER HEAD COVER	2
0-11	CYLINDER HEAD	3
0-12	CYLINDER BLOCK	5
0-13	OIL PAN AND LEVEL GAUGE	8
0-14	CAMSHAFT AND VALVE	9
0-15	CRANKSHAFT,PISTON AND FLYWHEEL	11
0-20	TIMING GEAR CASE AND FLYWHEEL HOUSING	13
0-25	INLET MANIFOLD	15
0-27	EXHAUST MANIFOLD	16
0-28	VENTILATION SYSTEM	17
0-30	WATER PUMP AND CORROSION RESISTOR	19
0-31	THERMOSTAT AND HOUSING	20
0-32	WATER PIPING; ENGINE	21
0-33	FAN AND FAN BELT	22
0-36	TURBOCHARGER SYSTEM	23
0-37	TURBOCHARGER	25
0-40	FUEL INJECTION SYSTEM	26
0-41	FUEL FILTER AND BRACKET	29
0-42	FUEL PUMP AND PIPE	31
0-50	OIL COOLER AND OIL FILTER	32
0-51	OIL PUMP AND OIL STRAINER	34
0-52	OIL AND VACUUM PIPING; ENGINE	35
0-60	ENGINE ELECTRICAL CONTROL PARTS	38
0-65-1	STARTER (UP TO ENGINE SERIAL NO. 931011)	39
0-65-2	STARTER (FROM ENGINE SERIAL NO. 931012)	40
0-66	GENERATOR	41
0-80	INJECTION PUMP	42
0-81	GOVERNOR; INJECTION PUMP	46
0-84-1	FEED PUMP; INJECTION PUMP (UP TO ENGINE SERIAL NO. 931011)	50
0-84-2	FEED PUMP; INJECTION PUMP (FROM ENGINE SERIAL NO. 931012)	51
0-86	MISCELLANEOUS PARTS; INJECTION PUMP	52
0-87	COUPLING; INJECTION PUMP	53
1-35	CHARGE AIR COOLER	54
1-40	FUEL TANK	55
1-45	WATER SEDIMENTER; FUEL	56
2-01	CLUTCH	57
8-25	SWITCH AND RELAY; INSTRUMENT PANEL	58
8-26	ELECTRICAL CONTROL AND OTHER PARTS	59

0-05 ENGINE GASKET KIT



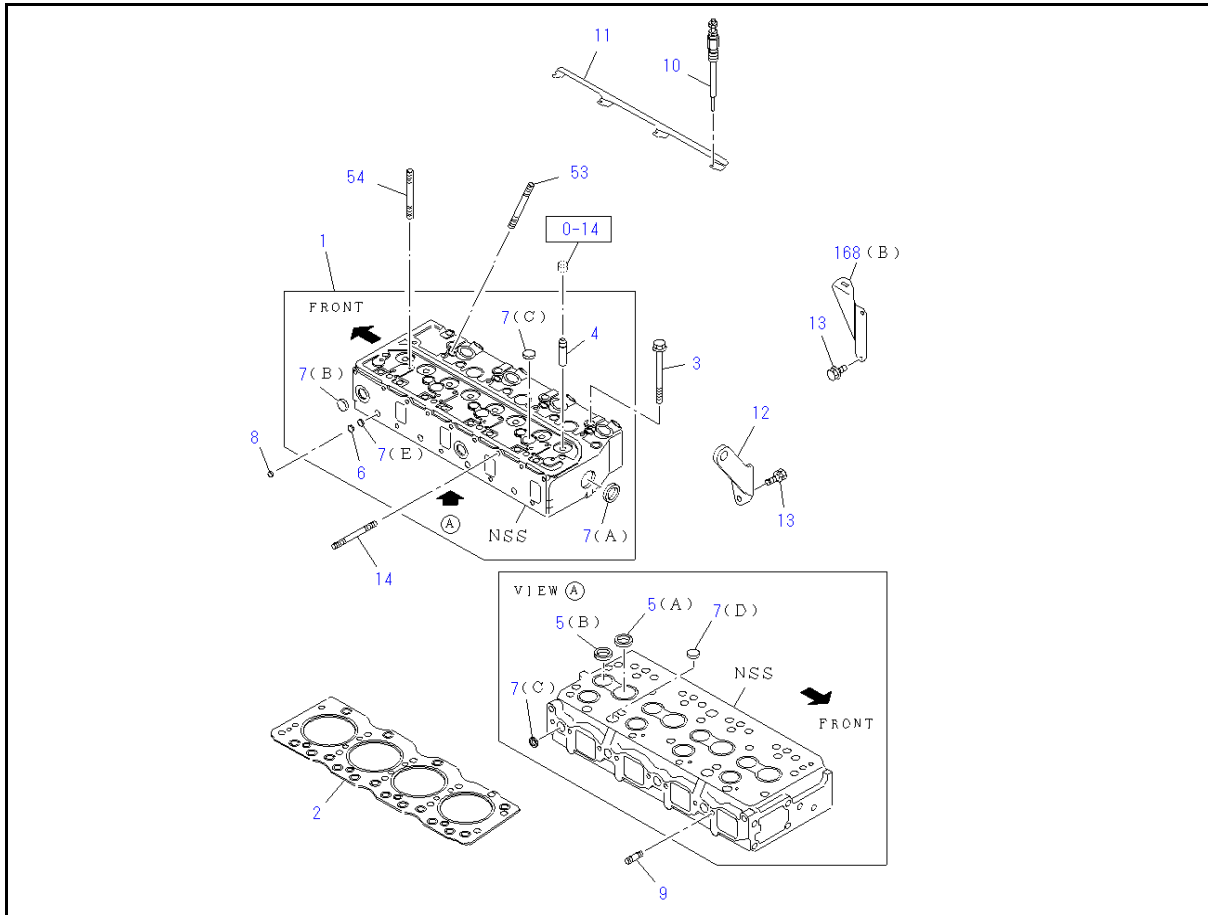
KEY No.	Part no.	qty	Part description	Engine serial no.
1	5-87814-788-1	1	GASKET SET; ENG OVERHAUL	
2	5-87813-842-3	1	GASKET SET; ENG HD OVERHAUL	

0-10 CYLINDER HEAD COVER



KEY No.	Part no.	qty	Part description	Engine serial no.
1 (C)	8-97364-186-0	1	COVER; CYL HD	
4 (C)	1-11751-005-1 <9-11751-038-1>	1	CAP; OIL FILLER	
27	1-09639-032-0 <9-11179-030-0>	3	GASKET; HD COVER	
68	9-11179-105-0	3	WASHER; CAP NUT,HD COVER	
69	8-97326-251-0	1	GASKET; HD TO COVER	
75 (B)	9-11175-012-0	3	NUT; CAP,HD COVER	

0-11 CYLINDER HEAD



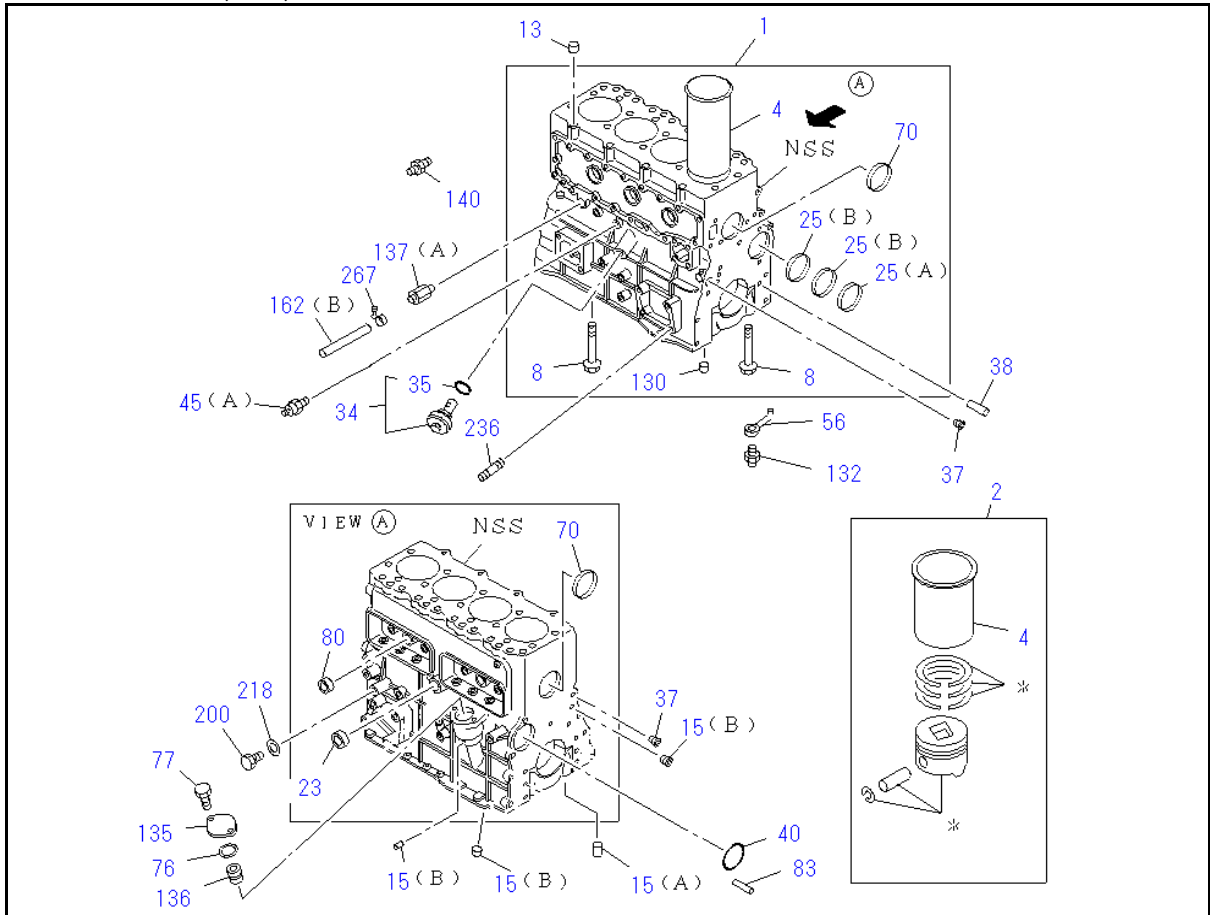
KEY No.	Part no.	qty	Part description	Engine serial no.
1	8-97369-550-2 <8-97369-550-1>	1	HEAD ASM; CYL	
2	8-97222-117-1	1	GASKET; CYL HD	
3	1-09070-101-1	14	BOLT; CYL HD TO BLOCK M12X113	
3	1-09070-100-1	4	BOLT; CYL HD TO BLOCK M12X100	
4	1-11721-013-0	8	GUIDE; VLV	
5 (A)	8-97037-686-1	4	SEAT; VLV INSERT OD=47 INLET	
5 (B)	5-11711-028-0	4	SEAT; VLV INSERT OD=39 EXHAUST	
6	9-09660-034-0	4	PLUG; PLATE	
7 (A)	8-97036-550-1 <1-09600-005-2>	1	CUP; SEALING,CYL HEAD OD=45	
7 (B)	1-09600-012-2 <5-11219-015-0>	2	CUP; SEALING,CYL HEAD OD=32	
7 (C)	1-09600-016-0	7	CUP; SEALING,CYL HEAD OD=25	
7 (D)	9-11129-128-0	2	CUP; SEALING,CYL HEAD OD=20	
7 (E)	5-09600-013-0	4	CUP; SEALING,CYL HEAD OD=12.3	
8	9-11129-601-0	4	CUP; SEALING,WATER JACKET	
9	0-41010-825-0	4	STUD; INL MANIF M8X25 L=37	
10	8-94133-759-9	4	PLUG; GLOW QOS-2	
11	5-19732-002-2	1	CONNECTOR; GLOW PLUG	

0-11 CYLINDER HEAD

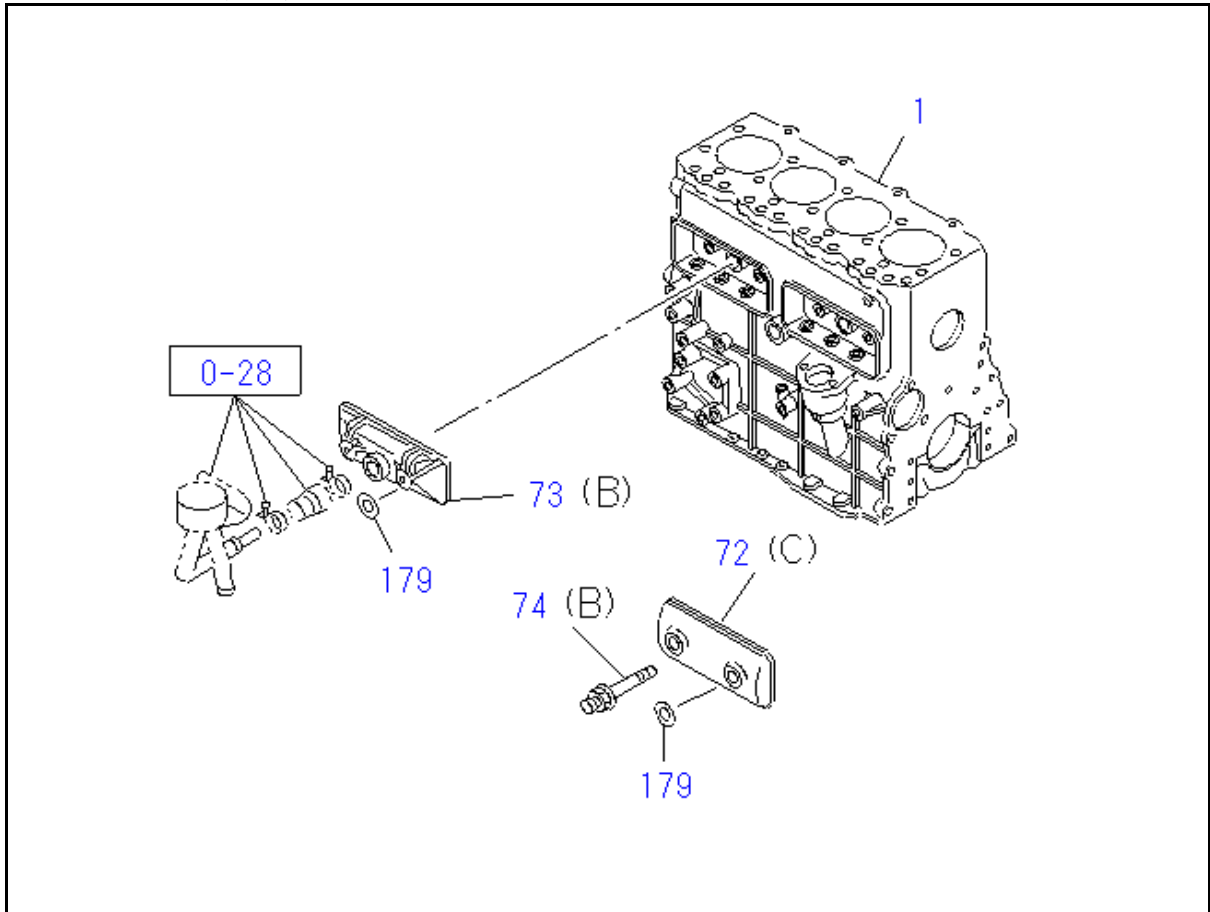
KEY No.	Part no.	qty	Part description	Engine serial no.
12	8-94255-644-1 <9-11777-805-0>	1	HANGER; ENG,RR	
13	0-28051-020-0	4	BOLT; HANGER M10X20 FLANGE	
14	8-94156-939-0	1	STUD; EXH MANIF M8X75 L=87	
14	8-94156-940-0	2	STUD; EXH MANIF M8X60 L=72	
14	9-09630-026-0 <9-09830-177-0>	2	STUD; EXH MANIF M8X85 L=100	
53	1-09300-018-0	8	STUD; INJ NOZZLE M8X40 L=58	
54	5-09300-065-0	3	STUD; ROCKER ARM M8X79 L=92	
168 (B)	8-97087-057-1 <5-11777-064-0>	1	HANGER; ENG,FRT	

0-12 CYLINDER BLOCK

(No.1)



(No.2)



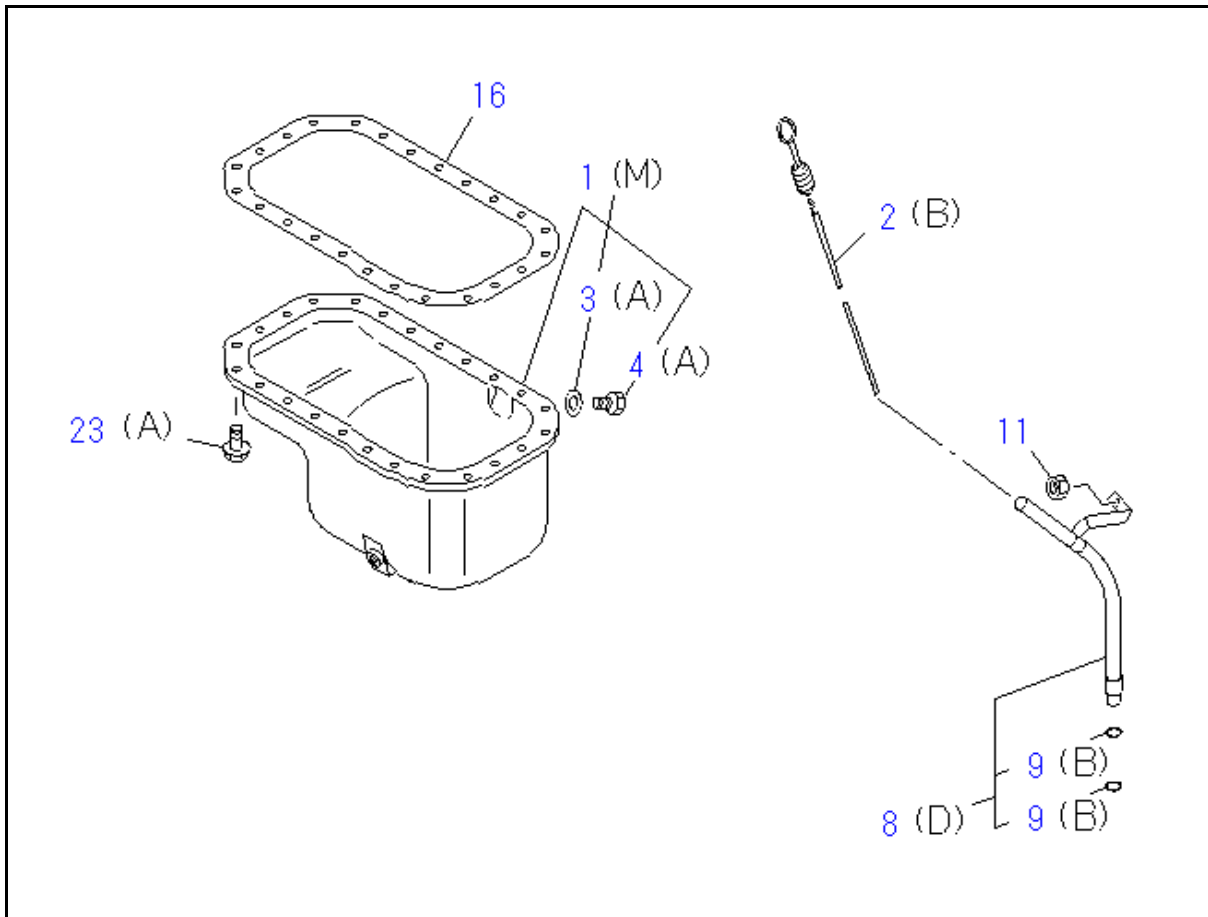
0-12 CYLINDER BLOCK

KEY No.	Part no.	qty	Part description	Engine serial no.
1	8-97123-954-4	1	BLOCK ASM; CYL	
2	5-87814-661-2 <5-87814-661-1>	4	LINER SET; ENG CYL GRADE=1	
2	5-87814-662-2 <5-87814-662-1>	4	LINER SET; ENG CYL GRADE=2	
2	5-87814-663-2 <5-87814-663-1>	4	LINER SET; ENG CYL GRADE=3	
2	5-87814-664-2 <5-87814-664-1>	4	LINER SET; ENG CYL GRADE=4	
4	1-11261-382-1	4	LINER; C/BL OD GRD=1,ID GRD=AX	
4	1-11261-383-1	4	LINER; C/BL OD GRD=1,ID GRD=CX	
4	1-11261-384-1	4	LINER; C/BL OD GRD=2,ID GRD=AX	
4	1-11261-385-1	4	LINER; C/BL OD GRD=2,ID GRD=CX	
4	1-11261-386-1	4	LINER; C/BL OD GRD=3,ID GRD=AX	
4	1-11261-387-1	4	LINER; C/BL OD GRD=3,ID GRD=CX	
4	1-11261-388-1	4	LINER; C/BL OD GRD=4,ID GRD=AX	
4	1-11261-389-1	4	LINER; C/BL OD GRD=4,ID GRD=CX	
8	1-09000-469-2	10	BOLT; BRG CAP M16X119	
13	8-94148-079-0	2	DOWEL; C/BL TO HD OD=16	
15 (A)	5-09605-005-0 <9-99205-517-0>	1	PLUG; OIL GALLERY PT3/8	
15 (B)	5-09605-018-0	7	PLUG; OIL GALLERY PT1/8 (SQUARE HEAD)	
23	5-11219-014-0	1	CUP; SEALING,C/BL FRT & RR OD=28	
25 (A)	9-11691-048-1	1	METAL; CM/SHF	
25 (B)	9-11693-035-1	2	METAL; CM/SHF	
34	8-94393-077-1 <8-97023-339-0>	1	VALVE; OIL RELIEF	
35	5-09623-035-0	1	GASKET; RELIEF VLV	
37	1-09605-068-1	2	PLUG; OIL GALLERY	
38	1-09740-078-0	1	PIN; TIMING GEAR CASE	
40	8-94344-462-0	1	CUP; SEALING,C/BL RR OD=67	
45 (A)	8-98201-472-0	1	SWITCH; OIL PRESSURE	
56	1-13342-132-1	4	JET; OIL,PISTON COOLING	
70	1-09600-052-1	2	CUP; SEALING,FRT & RR OD=60	
72 (C)	8-97222-104-1	1	COVER; TAPPET CHAMBER	
73 (B)	8-97301-063-0	1	COVER ASM; TAPPET CHAMBER	
74 (B)	8-94367-531-1	1	BOLT; COVER TO C/BL M8X56	
76	1-09623-465-0	1	GASKET; COVER TO C/BL	
77	0-28650-820-0	2	BOLT; COVER TO C/BL M8X20 FLANGE	
80	1-09600-012-2	2	CUP; SEALING,TAPPET CHAMBER OD=32	
83	9-08151-018-0	2	PIN; FLYWHEEL HSG OD=10 L=18	

0-12 CYLINDER BLOCK

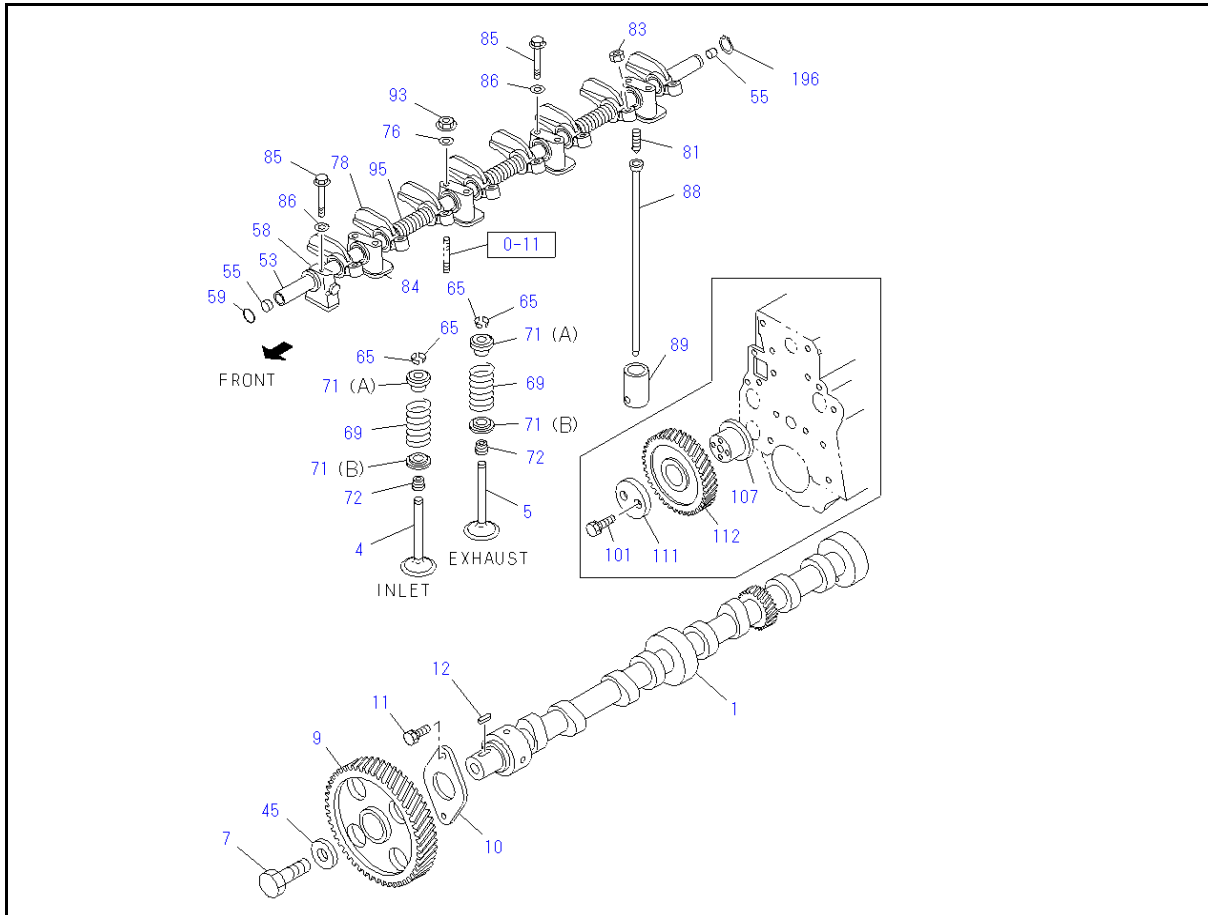
KEY No.	Part no.	qty	Part description	Engine serial no.
130	5-11257-001-1	1	DOWEL; BRG CAP	
132	8-97329-618-0	4	VALVE; CHECK,OIL	
135	1-11219-129-1	1	COVER; OIL PUMP	
136	5-11224-004-0	1	BUSHING; DRIVE SHAFT,OIL PUMP	
137 (A)	1-09680-024-0	1	COCK; DRAIN,WATER	
140	5-09660-033-0	1	NIPPLE; INJ PUMP	
162 (B)	9-09914-701-0	1	HOSE; WATER DRAIN,C/BL L=1000 S.B.L=10000	
179	9-09572-008-0	4	GASKET; COVER TO BOLT	
200	8-98042-944-0	1	PLUG; OIL GALLERY M14X9	
218	9-09572-014-0	1	GASKET; PLUG,C/BL SIDE ID=14.2 OD=23.0	
236	1-09300-079-0	1	STUD; ENG FOOT M10X23.5 L=38	
267	1-09704-102-0 <5-09707-004-1>	1	CLIP; DRAIN HOSE ID=14	

0-13 OIL PAN AND LEVEL GAUGE



KEY No.	Part no.	qty	Part description	Engine serial no.
1 (M)	8-97227-824-0	1	PAN ASM; OIL	
2 (B)	8-97380-830-0	1	GAUGE; OIL LEVEL	
3 (A)	1-09623-057-0	1	GASKET; DRAIN PLUG	
4 (A)	9-09662-012-0	1	PLUG; DRAIN,OIL	
8 (D)	8-94416-713-2 <8-94416-713-3>	1	TUBE; GUIDE,OIL LEVEL GAUGE	
9 (B)	5-09623-002-0	2	GASKET; GUIDE TUBE,OIL LEVEL	
11	0-91180-108-0	1	NUT; GUIDE,OIL LEVEL GAUGE M8	
16	8-97352-403-0	1	GASKET; OIL PAN TO C/BL	
23 (A)	0-50540-818-0	24	BOLT; OIL PAN M8X18 W/LK WASHER	

0-14 CAMSHAFT AND VALVE

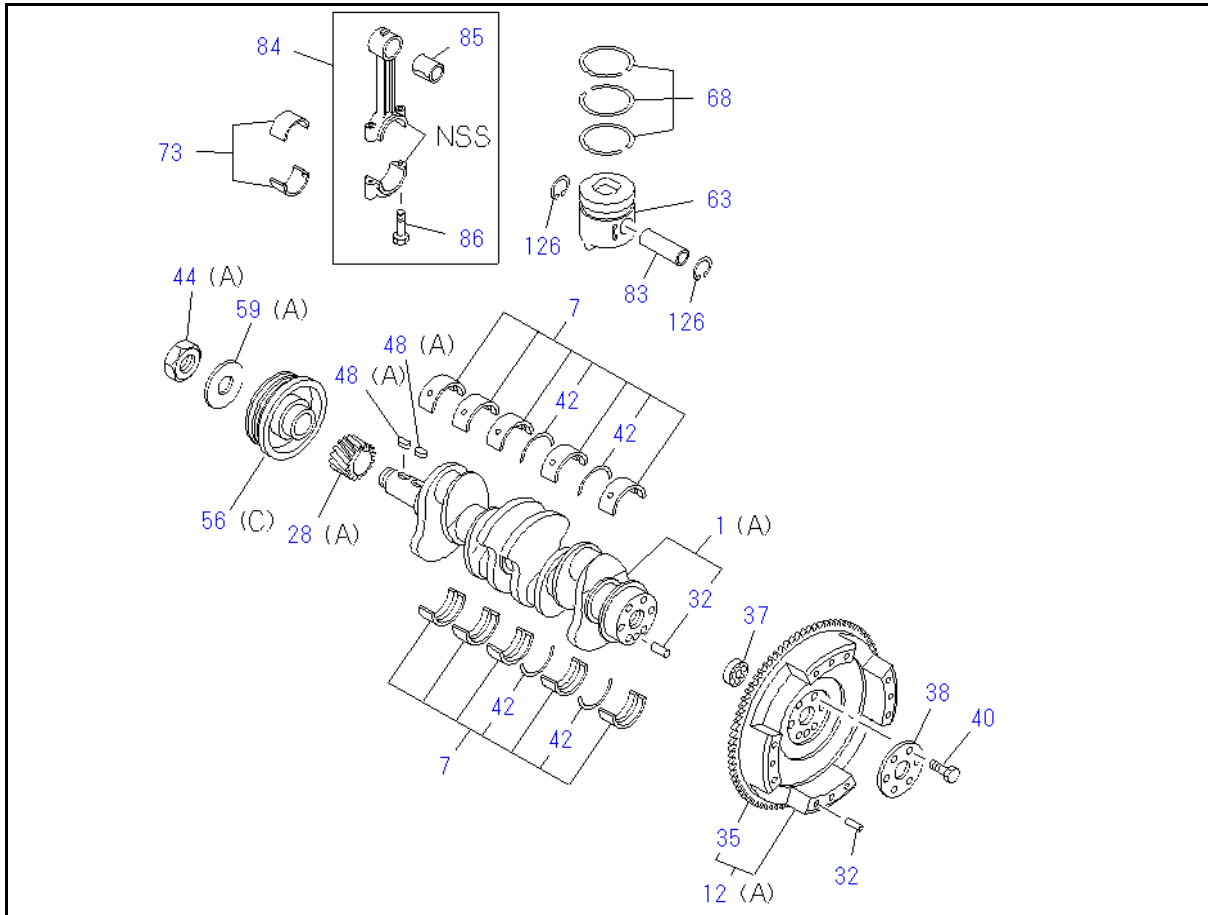


KEY No.	Part no.	qty	Part description	Engine serial no.
1	8-97359-587-1	1	CAMSHAFT	
4	1-12551-165-0	4	VALVE; INL	
5	1-12552-111-0	4	VALVE; EXH	
7	5-09000-236-0	1	BOLT; CM/SHF GEAR M14X39	
9	1-12522-016-2	1	GEAR; CM/SHF Z=50	
10	9-11681-015-0	1	PLATE; THRUST	
11	0-50540-825-0	2	BOLT; THRUST PLATE TO C/BL M8X25 W/LK WASHER	
12	9-08010-720-0	1	KEY; CAM GEAR SET	
45	9-09851-850-3	1	WASHER; GEAR CAM	
53	8-97222-245-0	1	SHAFT; ROCKER ARM	
55	9-12626-005-0	2	PLUG; ROCKER SHAFT END	
58	5-12628-012-0	1	BRACKET; ROCKER SHAFT,FRT	
59	5-09623-060-0	1	GASKET; ROCKER SHAFT	
65	5-12565-006-0	16	COLLAR; SPLIT	
69	1-12561-099-1	8	SPRING; VLV, OUTER	
71 (A)	8-94114-579-0	8	SEAT; SPR UPPER	
71 (B)	5-12563-001-0	8	SEAT; SPR LOWER	
72	8-97120-167-0	8	SEAL; VLV GUIDE	
76	9-09851-430-0	3	WASHER; PL,BRKT	
78	1-12611-249-0	8	ARM; ROCKER	
81	9-12616-042-0	8	SCREW; ADJ,ROCKER ARM	
83	0-91111-508-0	8	NUT; ADJ SCREW,LK M8	
84	9-12628-105-0	4	BRACKET; ROCKER SHAFT,INTER	

0-14 CAMSHAFT AND VALVE

KEY No.	Part no.	qty	Part description	Engine serial no.
85	1-09000-567-0	6	BOLT; BRKT M8X65	
86	9-09851-430-0	6	WASHER; ROCKER ARM FIX	
88	1-12575-036-0	8	ROD; PUSH	
89	5-12571-003-3	8	TAPPET; VLV	
93	1-09400-116-0	3	NUT; BRKT	
95	1-09580-335-0	3	SPRING; ROCKER SHAFT	
101	5-09030-038-1	2	BOLT; THRUST COLLAR M10X55	
107	9-12531-030-0 <8-98219-088-0>	1	SHAFT; IDLE GEAR	
111	5-12535-001-1	1	COLLAR; THRUST, IDLE GEAR	
112	8-94133-937-3	1	GEAR; IDLE Z=51	
196	9-09180-019-0	1	RING; SNAP	

0-15 CRANKSHAFT,PISTON AND FLYWHEEL



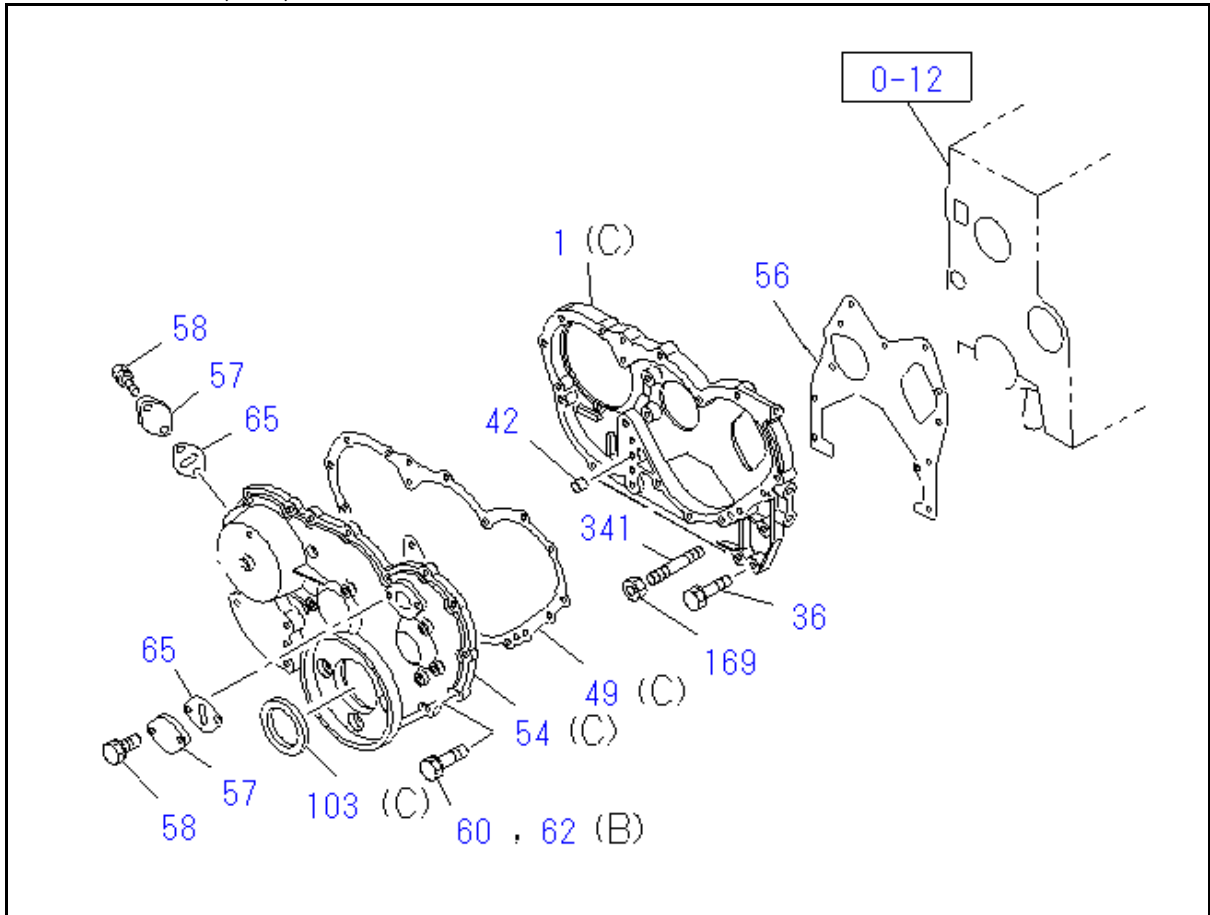
KEY No.	Part no.	qty	Part description	Engine serial no.
1 (A)	8-97358-144-1	1	CRANKSHAFT	
7	8-97071-661-0	1	METAL KIT; CRANKSHAFT,STANDARD	
12 (A)	8-97046-181-2	1	FLYWHEEL	
28 (A)	8-97137-910-2	1	GEAR; CR/SHF Z=25	
32	9-08161-220-0	1	PIN; FLYWHEEL OD=12 L=20	
35	8-94393-132-0	1	GEAR; RING	
37	8-94392-288-0 <9-00090-157-0>	1	BEARING; PILOT, TOP GEAR SHAFT	
38	5-12336-003-0	1	WASHER; FLYWHEEL	
40	5-12334-006-0	6	BOLT; FLYWHEEL M14X58	
42	8-97071-358-0	2	WASHER; THRUST,CR/SHF	
44 (A)	8-97359-616-0	1	NUT; CR/SHF FRT	
48 (A)	8-94107-597-0	2	KEY; WOODRUFF,CR/SHF	
56 (C)	8-97364-038-0	1	PULLEY; CR/SHF DAMPER 3-GROOVE	
59 (A)	5-09503-024-0	1	WASHER; CR/SHF PULLEY	
63	8-97358-574-0	4	PISTON GRADE=AX	
63	8-97358-575-0	4	PISTON GRADE=CX	
68	1-12121-146-0	4	RING SET; PISTON,STANDARD	
73	9-12271-608-0	4	METAL SET; CONN ROD,STANDARD	
83	1-12211-033-2	4	PIN; PISTON	
84	1-12230-129-2	4	ROD ASM; CONN	
85	1-12251-032-0	4	BUSHING; CONNROD	
86	1-12235-027-1	8	BOLT; CONNROD M20X49.5	

0-15 CRANKSHAFT,PISTON AND FLYWHEEL

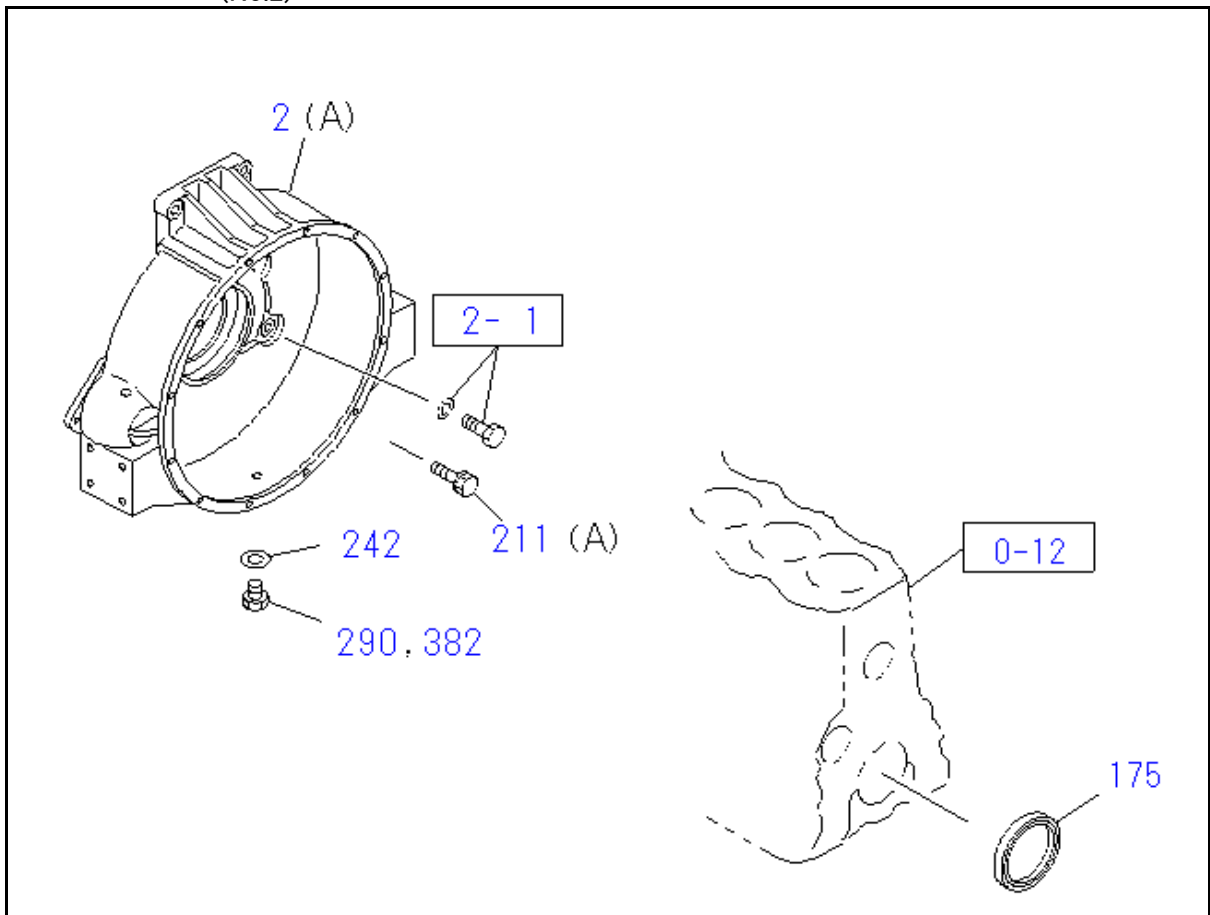
KEY No.	Part no.	qty	Part description	Engine serial no.
126	8-94107-575-1	8	RING; SNAP,PISTON PIN	

0-20 TIMING GEAR CASE AND FLYWHEEL HOUSING

(No.1)



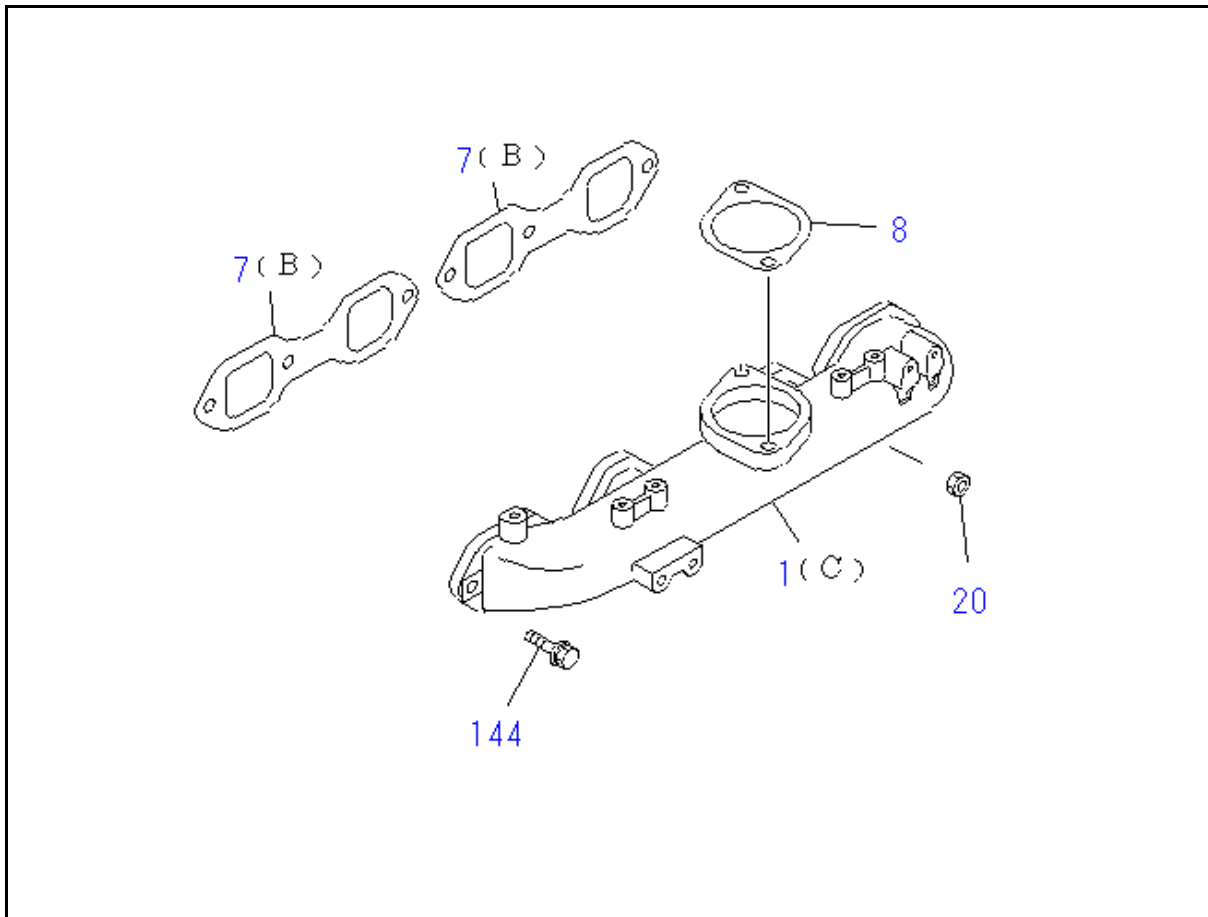
(No.2)



0-20 TIMING GEAR CASE AND FLYWHEEL HOUSING

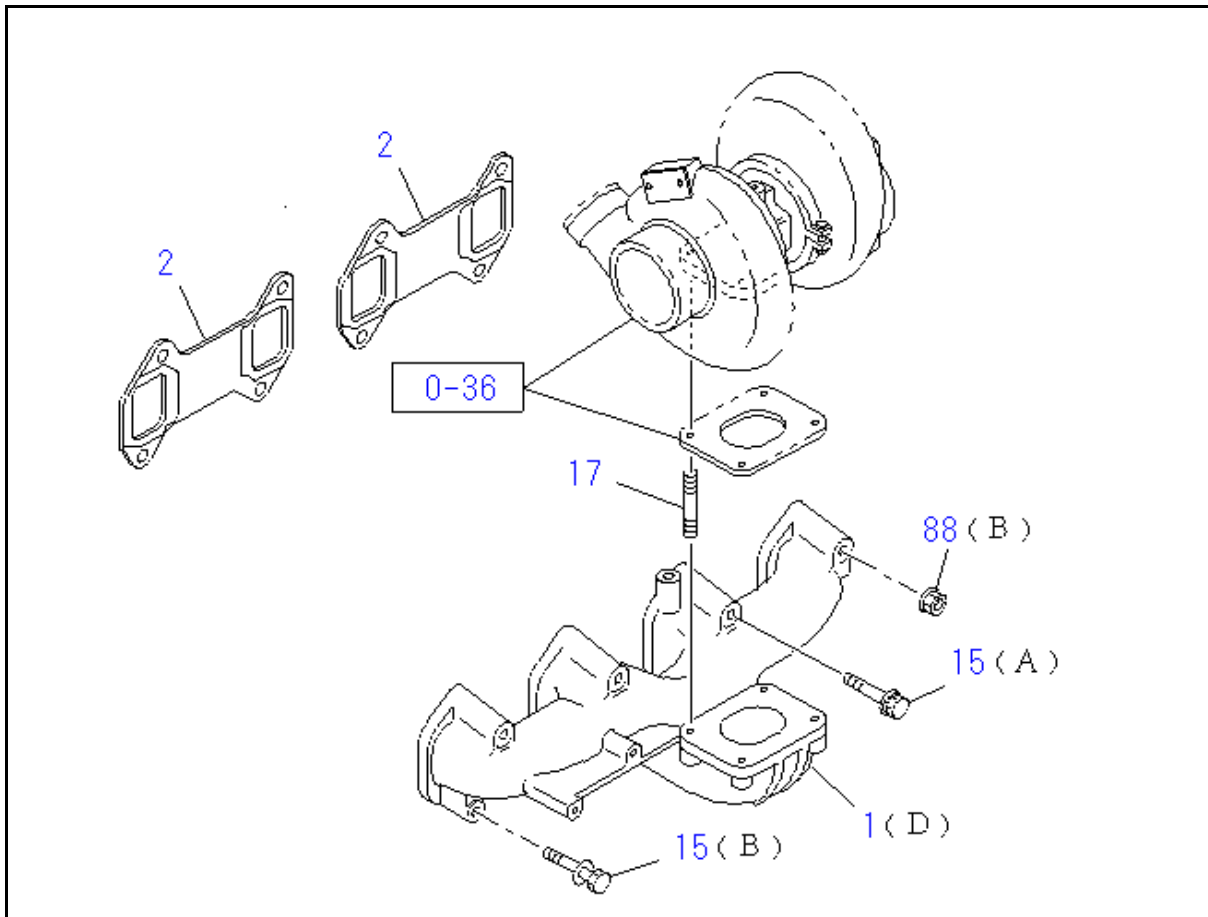
KEY No.	Part no.	qty	Part description	Engine serial no.
1 (C)	8-94450-975-2	1	CASE; TIMING GEAR	
2 (A)	8-97288-418-0	1	HOUSING; FLYWHEEL	
36	8-97365-376-0 <0-28080-822-0>	4	BOLT; GEAR CASE M8X22 FLANGE	
36	0-28050-845-0	2	BOLT; GEAR CASE M8X45 FLANGE	
42	9-11229-058-1	1	DOWEL; GEAR CASE COVER	
49 (C)	8-97233-301-0	1	GASKET; GEAR CASE TO COVER	
54 (C)	8-97129-830-0	1	COVER; GEAR CASE	
56	8-94370-671-1	1	GASKET; GEAR CASE TO COVER	
57	5-11321-009-0	2	COVER; TIMING CHECK HOLE	
58	0-28050-612-0	4	BOLT; CHECK HOLE COVER M6X12 FLANGE	
60	8-97365-376-0 <0-28080-822-0>	8	BOLT; COVER TO CASE M8X22 FLANGE	
60	0-28050-880-0	1	BOLT; COVER TO CASE M8X80 FLANGE	
62 (B)	1-09044-071-1	2	BOLT; COVER M8X55 FLANGE	
62 (B)	0-28051-050-0	3	BOLT; COVER M10X50 FLANGE	
65	8-97118-698-1 <8-97027-601-1>	2	GASKET; COVER, TIMING CHECK HOLE	
103 (C)	1-09625-438-0	1	SEAL; OIL, CR/SHF, FRT	
169	0-91180-208-0	2	NUT; COVER M8	
175	8-97072-823-1	1	SEAL; OIL, CR/SHF, RR	
211 (A)	0-50540-825-0	7	BOLT; HSG M8X25 W/LK WASHER	
242	9-09571-416-0	2	GASKET; PLUG ID=16.2 OD=24	
290	8-94321-838-0	1	PLUG; SENSOR HOLE	
341	0-41010-855-0	2	STUD; COVER GEAR CASE M8X55 L=67	
382	0-92002-416-0	1	PLUG; HSG M16X12	

0-25 INLET MANIFOLD



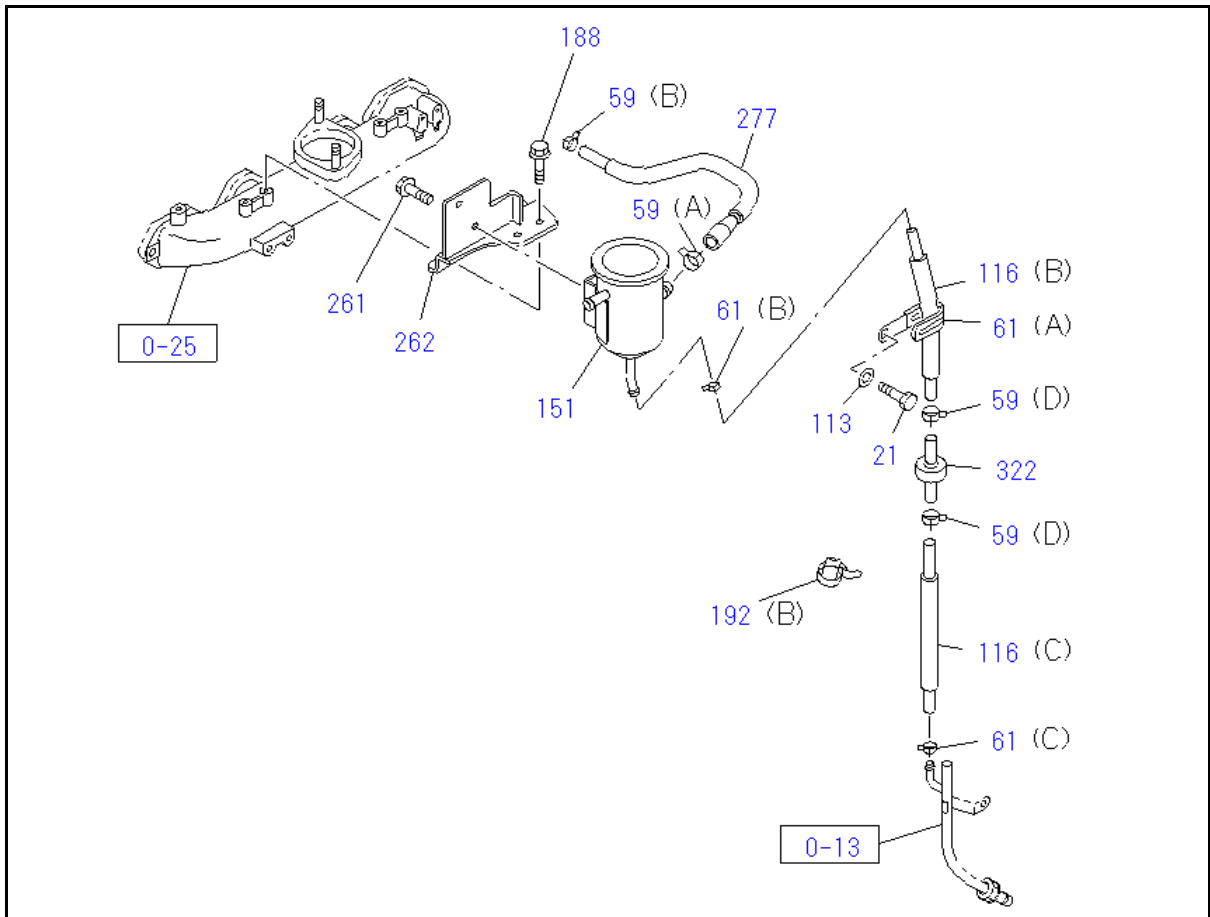
KEY No.	Part no.	qty	Part description	Engine serial no.
1 (C)	8-97248-853-0	1	MANIFOLD; INL	
7 (B)	1-14115-104-0	2	GASKET; INL MANIF TO HD	
8	8-94370-676-0	1	GASKET; INT DUCT	
20	0-91180-108-0	4	NUT; INL MANIF M8	
144	0-28050-825-0	4	BOLT; BRKT FIX M8X25 FLANGE	

0-27 EXHAUST MANIFOLD



KEY No.	Part no.	qty	Part description	Engine serial no.
1 (D)	8-94366-021-0	1	MANIFOLD; EXHAUST	
2	8-94404-610-0	2	GASKET; EXH MANIF TO HD	
15 (A)	8-94318-554-0	2	BOLT; EXH MANIF M8X63 W/PL WASHER	
15 (B)	8-94318-555-0	1	BOLT; EXH MANIF M8X75 W/PL WASHER	
17	8-97378-061-0	4	STUD; MANIF TO TURBOCHARGER M8X22 L=33	
88 (B)	8-97061-401-1	5	NUT; EXH PIPE	

0-28 VENTILATION SYSTEM

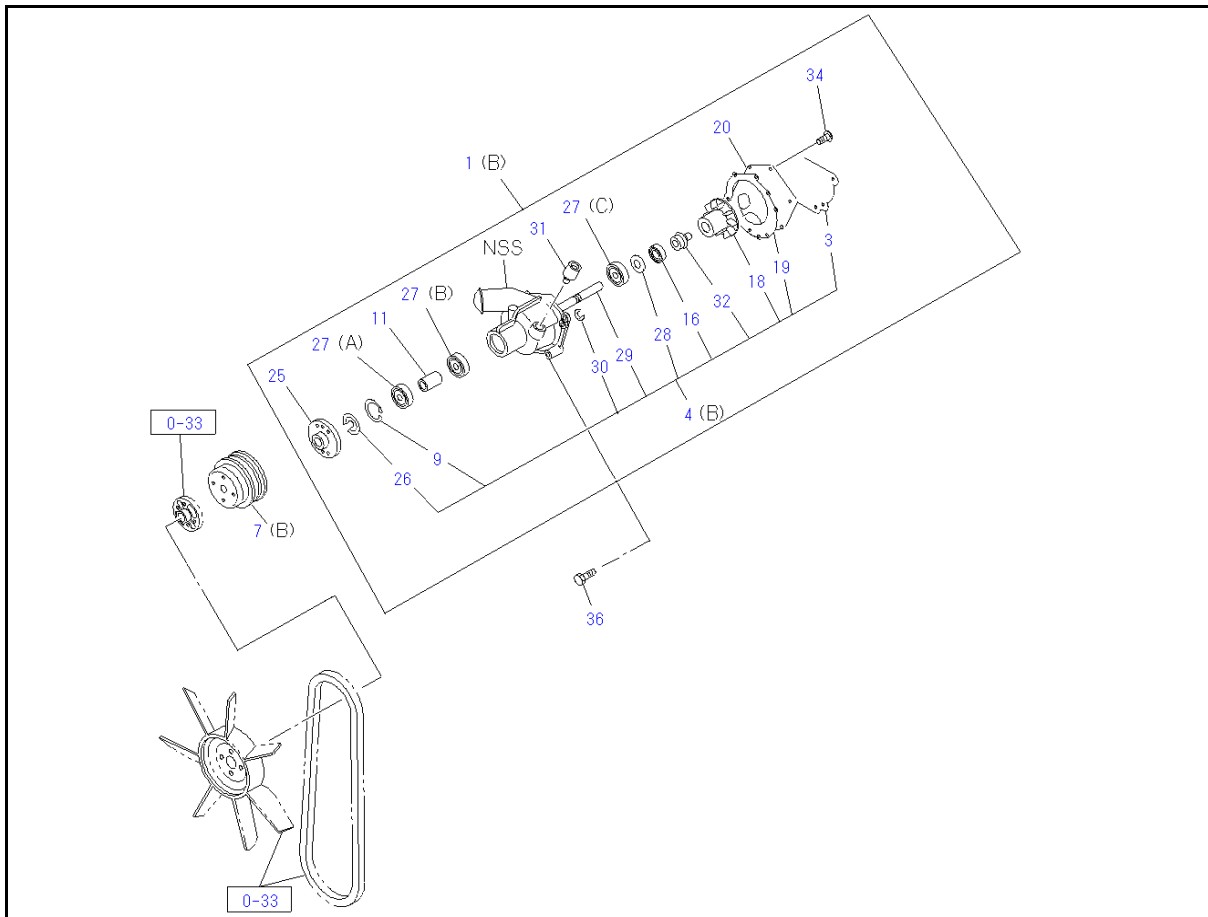


KEY No.	Part no.	qty	Part description	Engine serial no.
59 (A)	8-98150-356-0 <8-94238-569-0>	1	CLIP; HOSE ID=19	
59 (B)	8-97173-221-0	1	CLIP; HOSE ID=14	
59 (D)	8-97173-221-0	2	CLIP; HOSE ID=14	UP TO 905254
59 (D)	8-98150-357-0 <8-94238-571-0>	2	CLIP; HOSE ID=13	905255 - UP
61 (A)	8-94443-021-1	1	CLIP; HOSE L=100	
61 (B)	8-97173-220-0	1	CLIP; HOSE ID=13	
61 (C)	8-97173-221-0	1	CLIP; HOSE ID=14	
116 (B)	8-98005-799-1	1	HOSE; RUBBER, CONN TO OIL PAN	
116 (C)	8-98005-798-1	1	HOSE; RUBBER, CONN TO OIL PAN	
151	8-97247-618-0	1	SEPARATOR; OIL,PCV	
188	0-28050-616-0	2	BOLT; BRKT M6X16 FLANGE	
188	0-28050-816-0	1	BOLT; BRKT M8X16 FLANGE	
189 (C)	1-09376-512-0	1	SLEEVE; RUBBER ID=6 L=70	
192 (B)	5-09707-031-1	1	CLIP; BAND L=140	
261	0-28050-816-0	2	BOLT; SEPARATOR M8X16 FLANGE	
262	8-97253-070-0	1	BRACKET; OIL SEPARATOR	
277	8-97254-364-1	1	HOSE; RUBBER,HEAD COVER TO INL PIPE	

0-28 VENTILATION SYSTEM

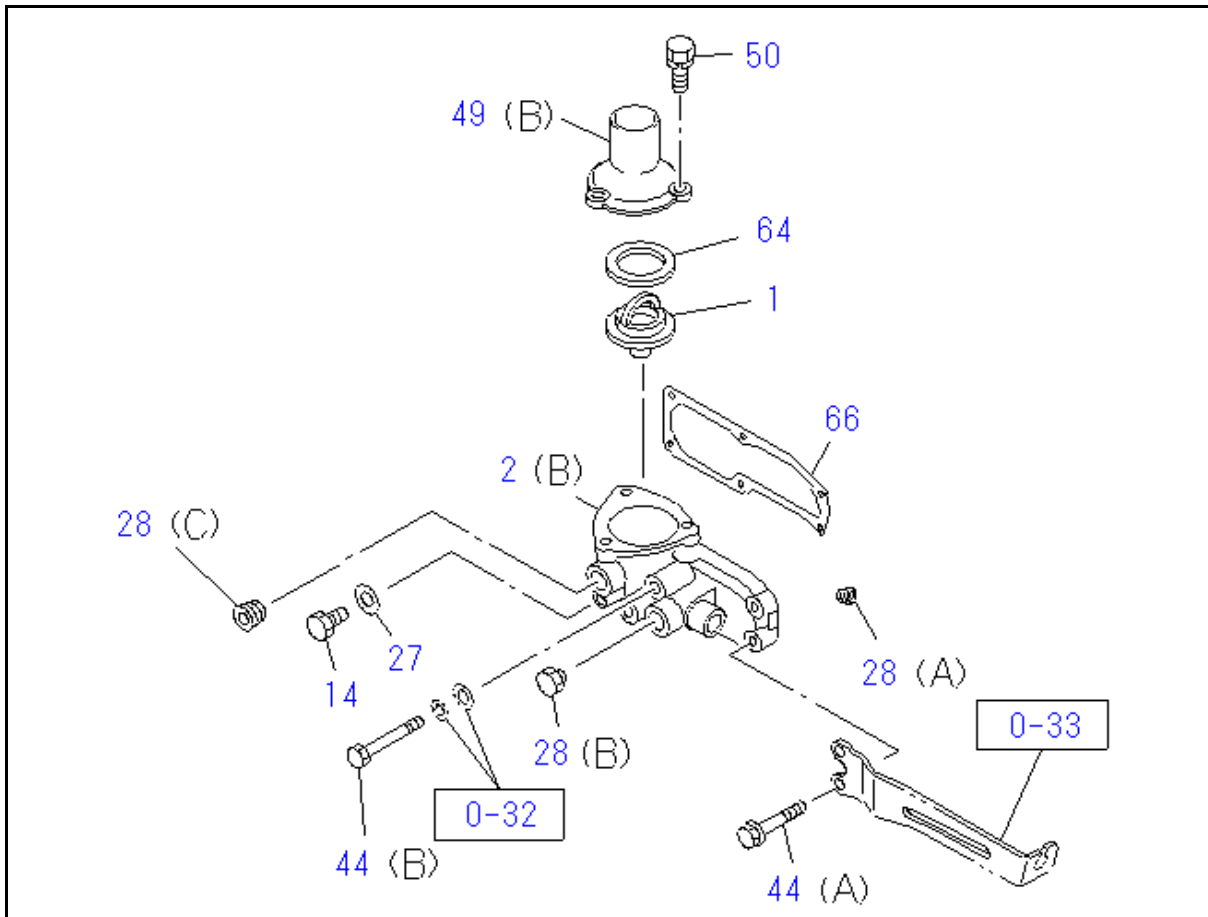
KEY No.	Part no.	qty	Part description	Engine serial no.
322	8-94249-317-1	1	VALVE; CHECK	

0-30 WATER PUMP AND CORROSION RESISTOR



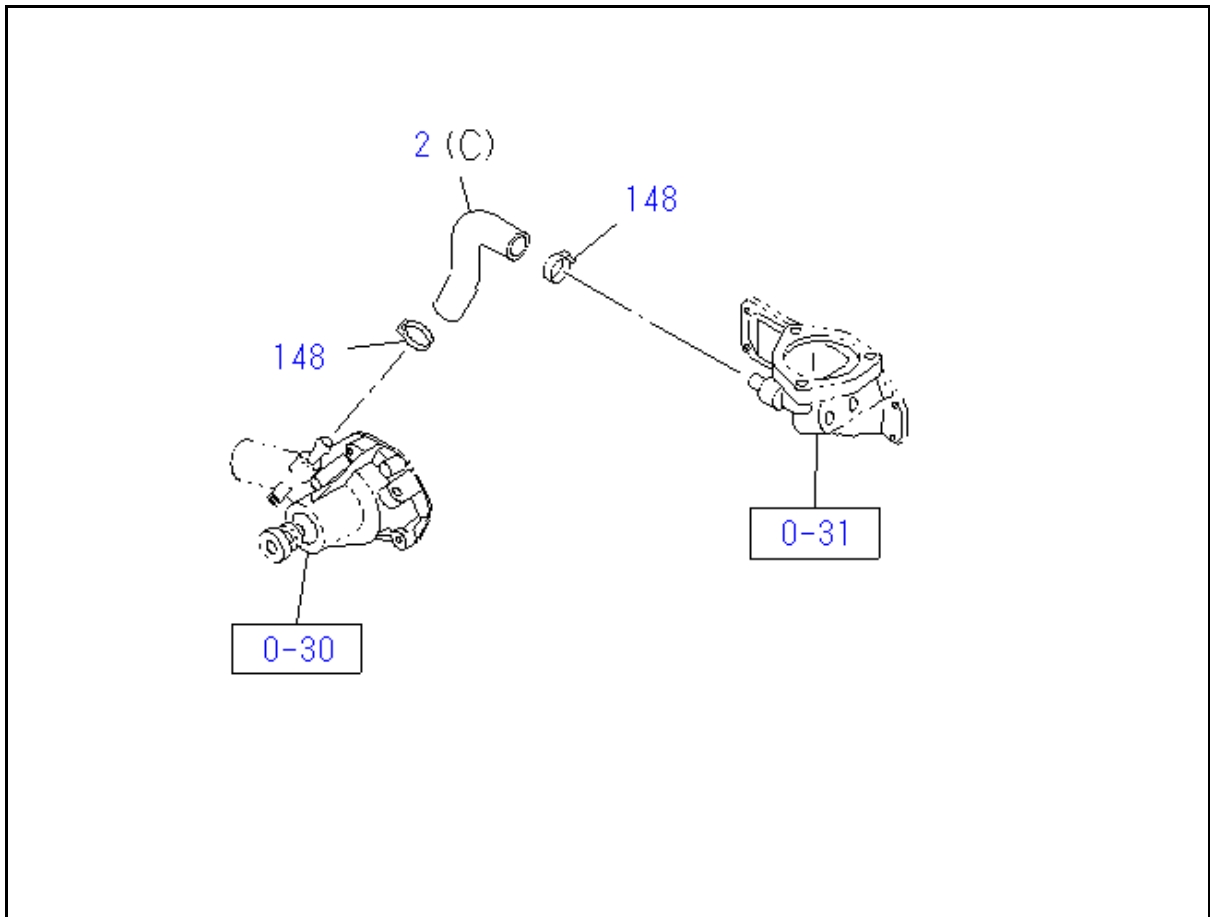
KEY No.	Part no.	qty	Part description	Engine serial no.
1 (B)	8-97253-028-1	1	PUMP ASM; WATER,W/GASKET	
3	8-94370-661-0	1	GASKET; PUMP TO C/BL	
4 (B)	5-87814-320-1	1	REPAIR KIT; WATER PUMP	
7 (B)	1-13641-165-0	1	PULLEY; WATER PUMP 2-GROOVE	
9	9-09180-152-0	1	RING; SNAP,WATER PUMP	
11	5-13634-002-0	1	SPACER; BRG,WATER PUMP	
16	1-09625-545-0 <5-09625-055-0>	1	SEAL; OIL,WATER PUMP	
18	8-97232-250-0	1	IMPELLER; WATER PUMP	
19	8-97232-248-0	1	GASKET; COVER TO BODY	
20	8-97232-247-0	1	COVER; WATER PUMP	
25	5-13642-007-2	1	CENTER; WATER PUMP	
26	5-13639-001-0	1	COVER; DUST,WATER PUMP	
27 (A)	5-09800-051-0	1	BEARING; WATER PUMP	
27 (B)	5-09800-050-0	1	BEARING; WATER PUMP	
27 (C)	1-09800-170-0	1	BEARING; WATER PUMP	
28	1-09503-070-0	1	WASHER; WATER PUMP	
29	1-13631-074-0	1	SHAFT; WATER PUMP	
30	9-09952-143-0	1	RING; SNAP,WATER PUMP SHAFT	
31	8-97249-895-1	1	PIPE; SUCTION,INL	
32	1-13620-023-0 <8-97232-249-0>	1	SEAL UNIT; WATER PUMP	
34	9-03090-820-0	3	SCREW; COVER TO BODY,WATER	
36	0-28051-070-0	1	BOLT; WATER PUMP TO C/BL M10X70 FLANGE	
36	0-28051-035-0	1	BOLT; WATER PUMP TO C/BL M10X35 FLANGE	
36	0-28051-045-0	2	BOLT; WATER PUMP TO C/BL M10X45 FLANGE	

0-31 THERMOSTAT AND HOUSING



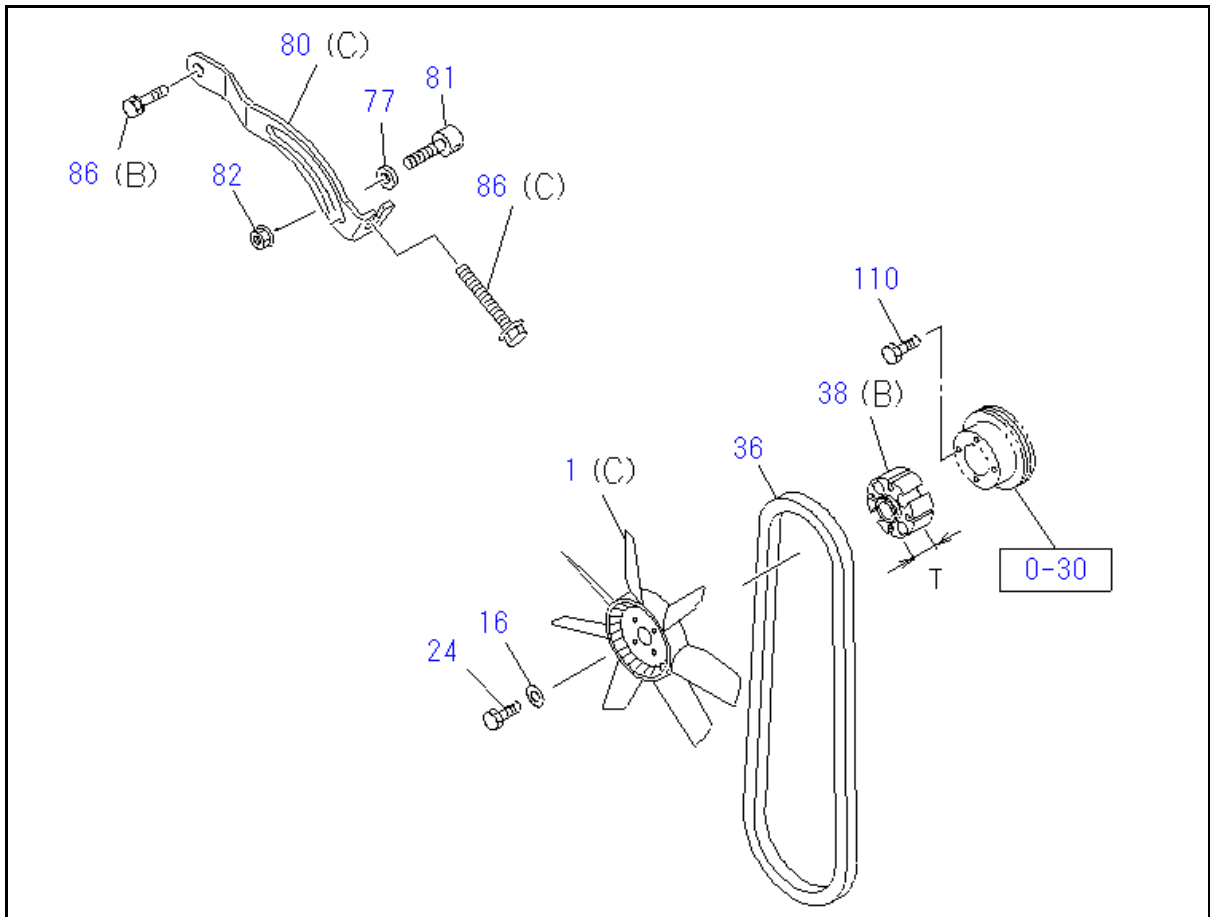
KEY No.	Part no.	qty	Part description	Engine serial no.
1	1-13770-070-0	1	THERMOSTAT 82 CELSIUS	
2 (B)	1-13711-804-2	1	HOUSING; THERMOSTAT	
14	9-09661-005-0	1	PLUG; SW	
27	9-09571-416-0	1	GASKET; SW ID=16.2 OD=24	
28 (A)	5-09605-005-0	1	PLUG; HTR PT3/8	
28 (B)	9-09662-034-0	1	PLUG; HTR M25	
28 (C)	1-09605-020-0 <9-09664-005-0>	1	PLUG; HTR PT3/4	
44 (A)	0-28051-030-0	3	BOLT; HSG TO HD M10X30 FLANGE	
44 (B)	0-28051-080-0	1	BOLT; HSG TO HD M10X80 FLANGE	
44 (B)	0-28051-090-0	2	BOLT; HSG TO HD M10X90 FLANGE	
49 (B)	8-97138-003-2	1	PIPE; WATER OUTLET	
50	8-97365-376-0 <0-28080-822-0>	3	BOLT; OUTLET PIPE M8X22 FLANGE	
64	1-13743-016-0	1	GASKET; OUTLET PIPE TO HSG	
66	8-97235-789-2	1	GASKET; THERMOSTAT HSG	

0-32 WATER PIPING; ENGINE



KEY No.	Part no.	qty	Part description	Engine serial no.
2 (C)	8-97224-204-0	1	HOSE; WATER,BY-PASS	
148	5-09704-046-0	2	CLIP; BYPASS HOSE	

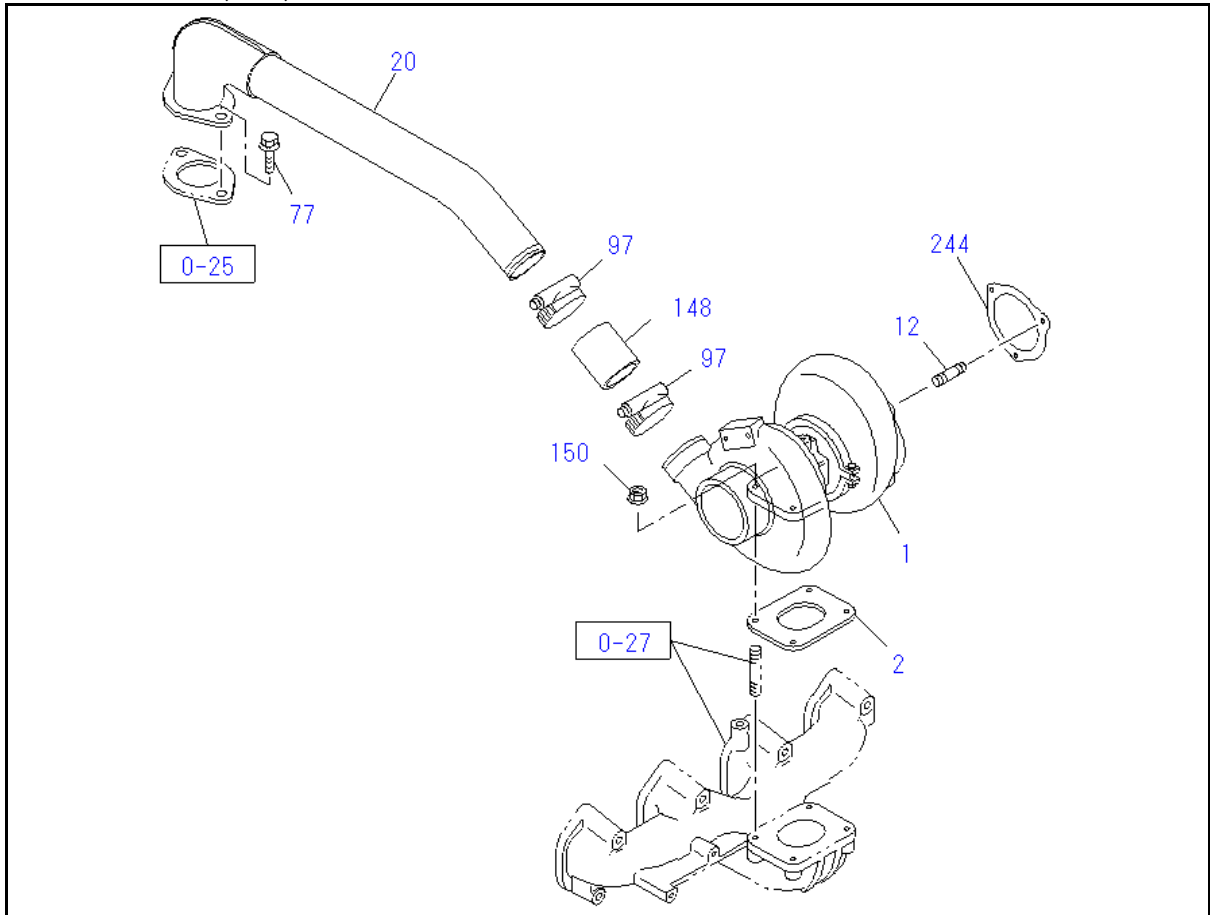
0-33 FAN AND FAN BELT



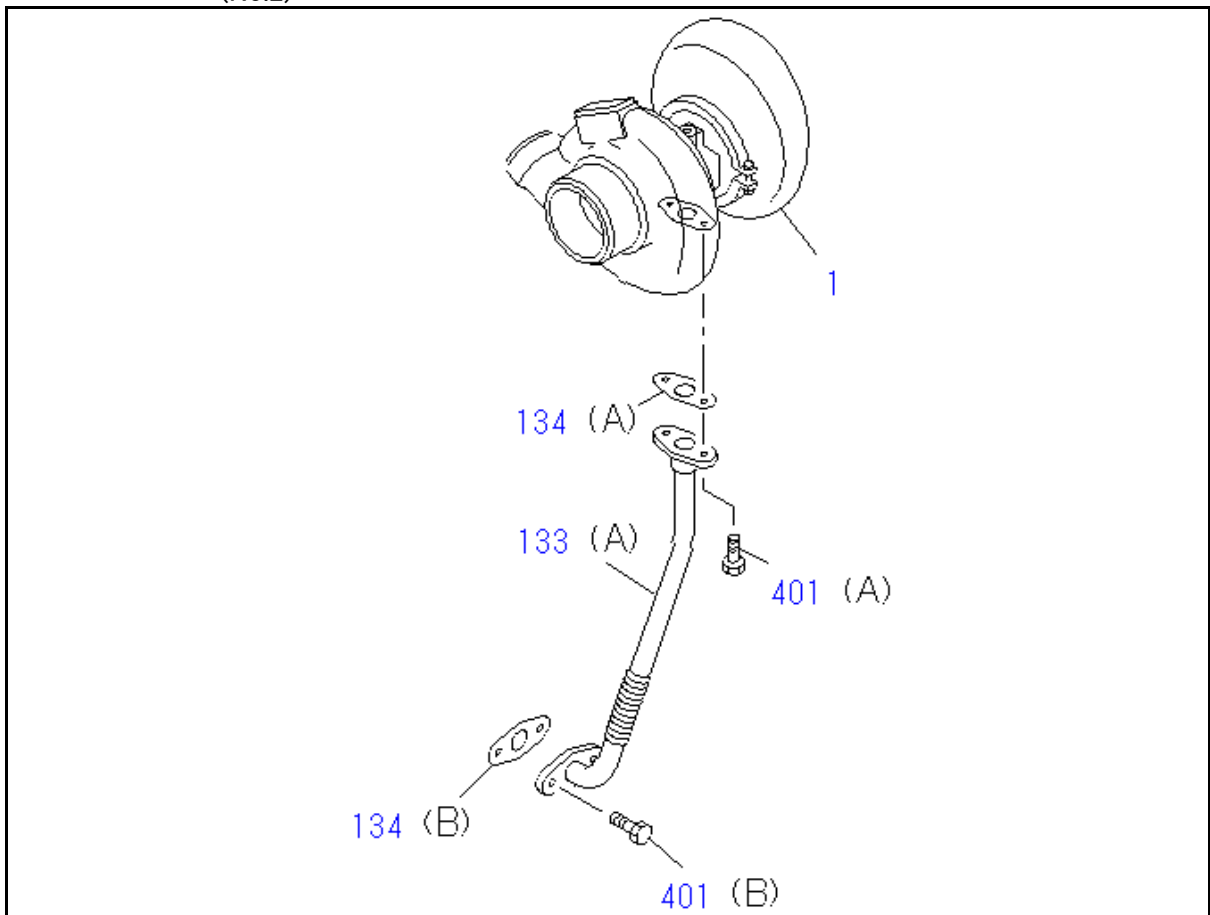
KEY No.	Part no.	qty	Part description	Engine serial no.
1 (C)	8-97069-902-1	1	FAN; COOLING D=500-7	
16	9-09851-649-0	4	WASHER; PL,COOLING FAN ID=8.5 OD=22 T=4	
24	0-50540-800-0 <0-50040-800-0>	4	BOLT; FAN M8X100 W/LK WASHER	
36	8-97233-382-0	1	BELT; COOLING FAN 2-PIECES SET,L=1215	
38 (B)	1-13642-052-0	1	SPACER; FAN T=86.0	
77	0-91614-712-0	1	WASHER; PL,GEN TO ADJ PLATE ID=12.5 OD=32	
80 (C)	8-97167-909-1	1	PLATE; ADJ	
81	1-13674-160-0	1	PIECE; SLIDING	
82	0-91180-112-0	1	NUT; ADJ PLATE M12	
86 (B)	0-28051-025-0	1	BOLT; ADJ M10X25 FLANGE	
86 (C)	1-09009-113-1	1	BOLT; ADJ M10X135	
110	1-09981-511-0 <9-03490-610-0>	2	SCREW; PULLEY M6X10	

0-36 TURBOCHARGER SYSTEM

(No.1)



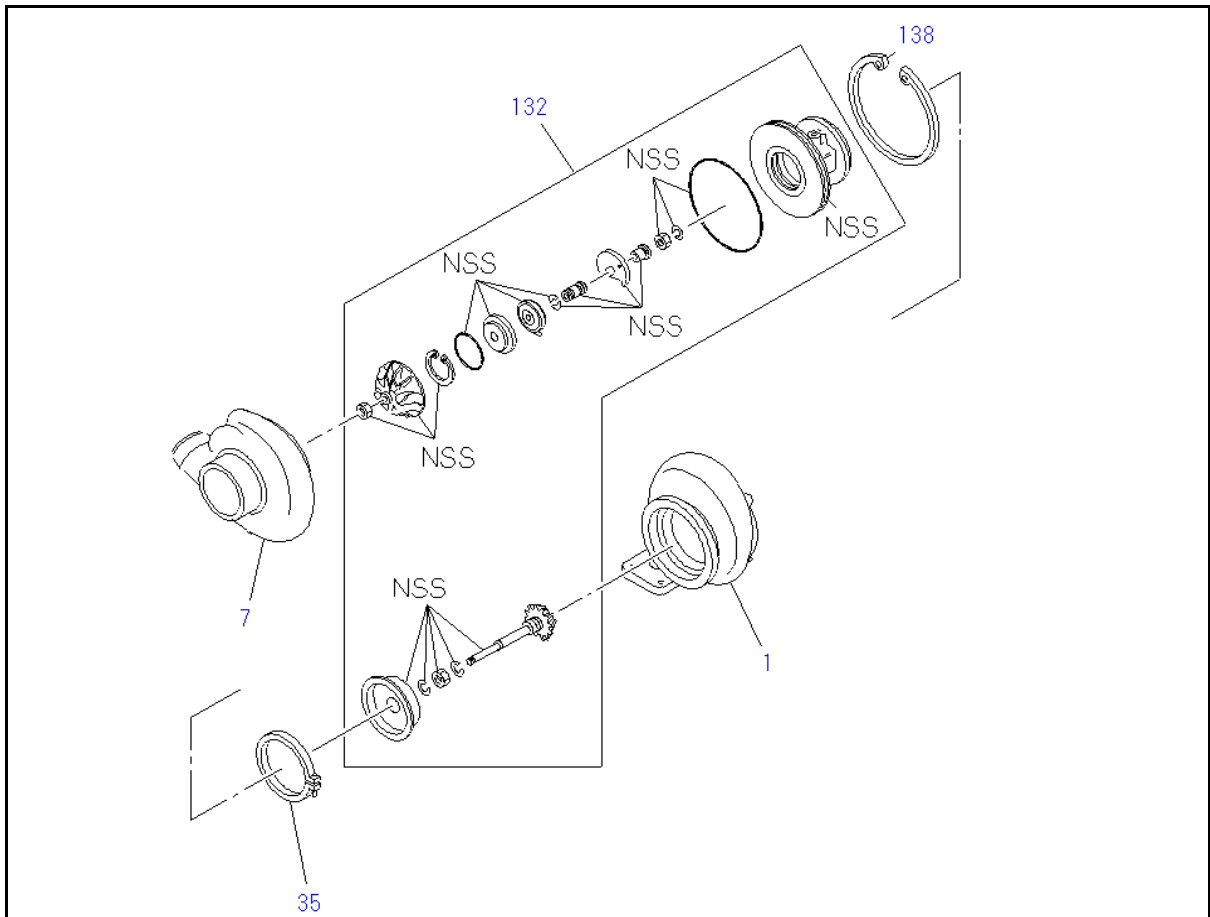
(No.2)



0-36 TURBOCHARGER SYSTEM

KEY No.	Part no.	qty	Part description	Engine serial no.
1	8-97377-789-1	1	TURBOCHARGER ASM	
2	8-94369-023-0	1	GASKET; TURBOCHARGER TO EXH	
12	8-94476-282-0	3	STUD; TURBOCHARGER M8X25 L=36	
20	8-97252-362-0	1	PIPE; INL, TURBOCHARGER OUT	
77	0-28751-025-0	2	BOLT; INL DUCT M10X25 FLANGE	
97	8-94316-991-0	2	CLIP; HOSE, TURBOCHARGER, INL ID=50-69	
133 (A)	8-97144-704-2	1	PIPE; OIL DRAIN, TURBOCHARGER	
134 (A)	8-94369-022-0	1	GASKET; OIL PIPE, TURBOCHARGER DRAIN	
134 (B)	8-94370-663-0	1	GASKET; OIL PIPE, TURBOCHARGER DRAIN	
148	1-09360-782-0	1	HOSE; TURBOCHARGER, INL	UP TO 927049
148	8-98219-875-0	1	HOSE; TURBOCHARGER, INL	927050 - UP
150	8-97061-401-1	4	NUT; INL DUCT	
244	8-94369-021-0	1	GASKET; TURBOCHARGER TO	
401 (A)	0-28050-616-0	2	BOLT; OIL PIPE, TURBO M6X16 FLANGE	
401 (B)	0-28650-820-0	2	BOLT; OIL PIPE, TURBO M8X20 FLANGE	

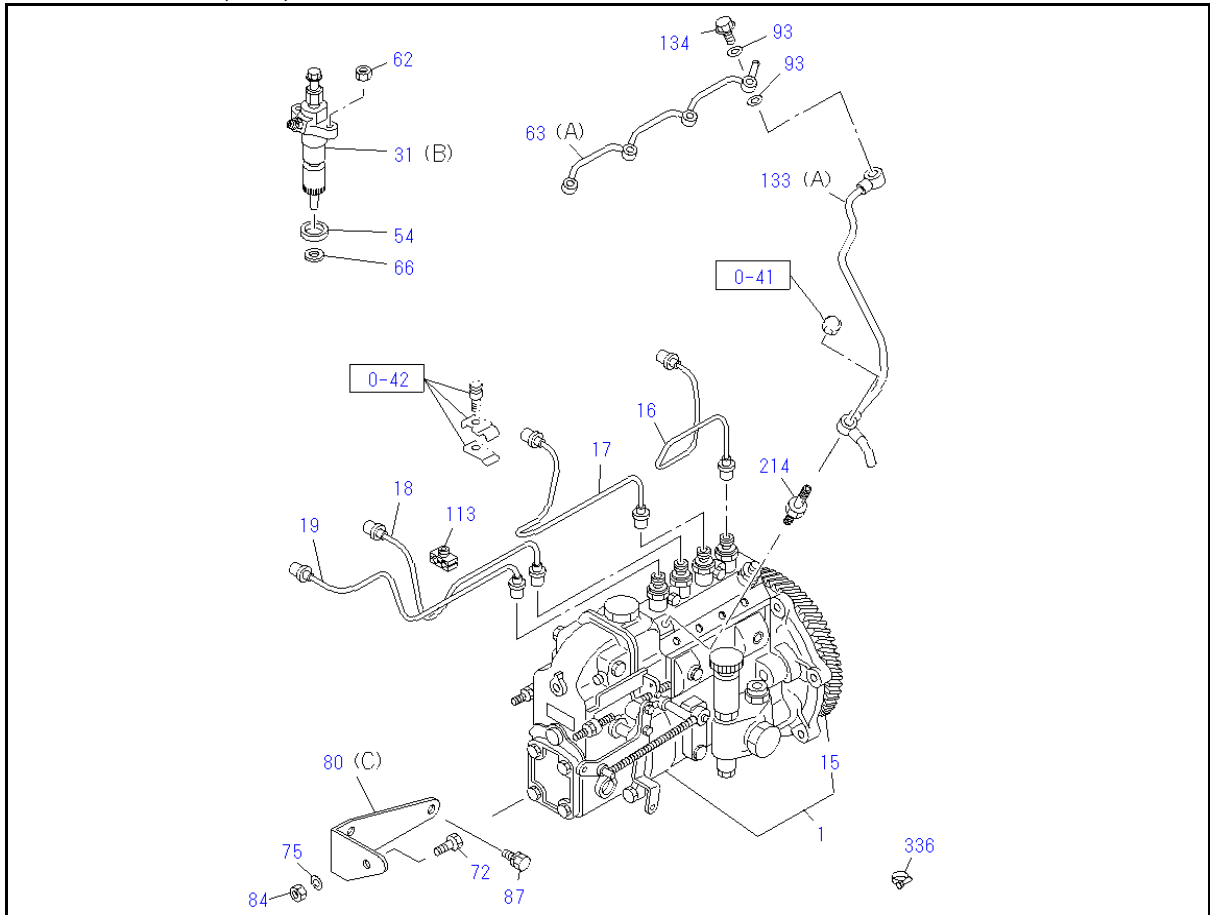
0-37 TURBOCHARGER



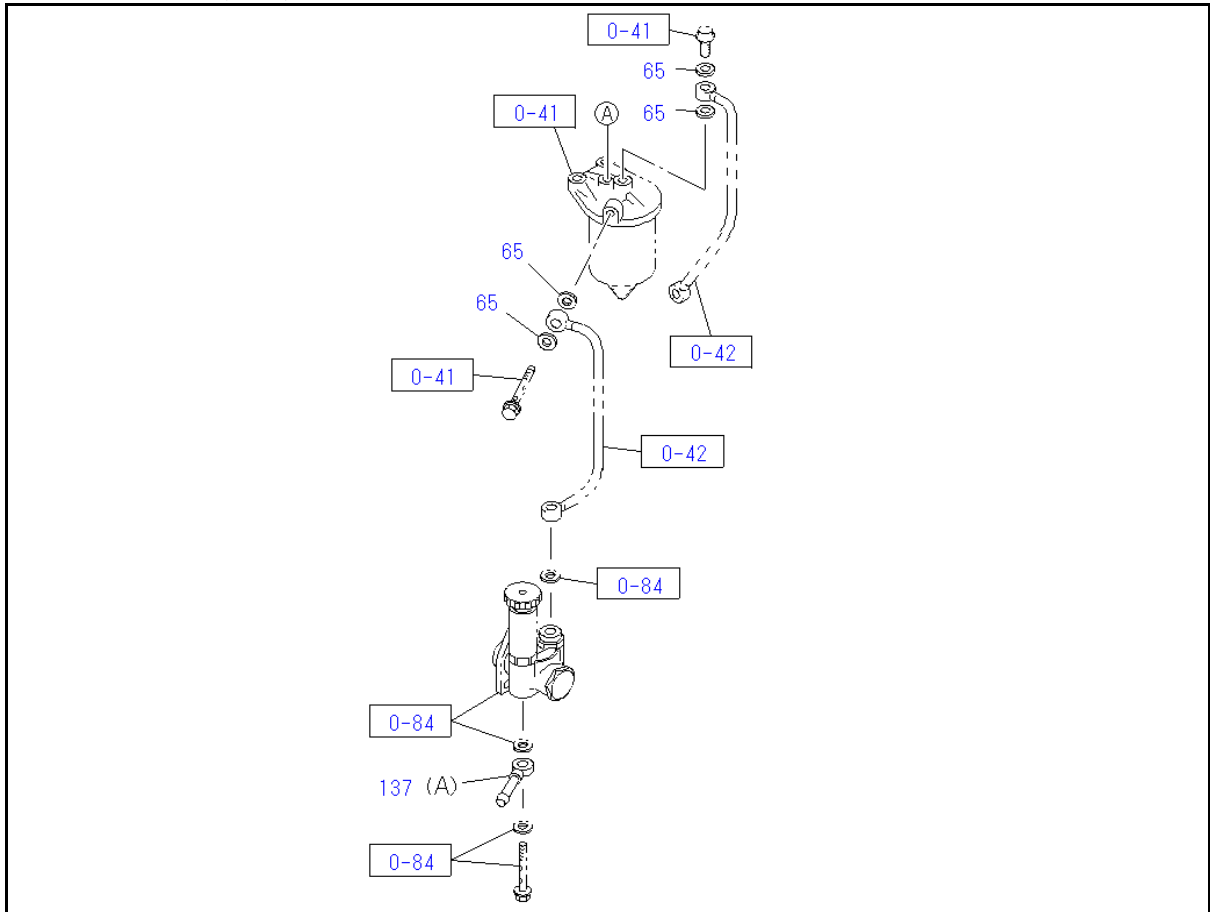
KEY No.	Part no.	qty	Part description	Engine serial no.
1	8-97380-140-0	1	HOUSING; TURBINE,TURBOCHARGER	
7	8-97380-145-0	1	HOUSING; BLOWER,TURBOCHARGER	
35	8-97173-146-0	1	CLAMP; TURBINE	
132	8-97380-146-0	1	CARTRIDGE; TURBO	
138	8-97173-147-0	1	RING; SNAP,BLOWER HSG	

0-40 FUEL INJECTION SYSTEM

(No.1)

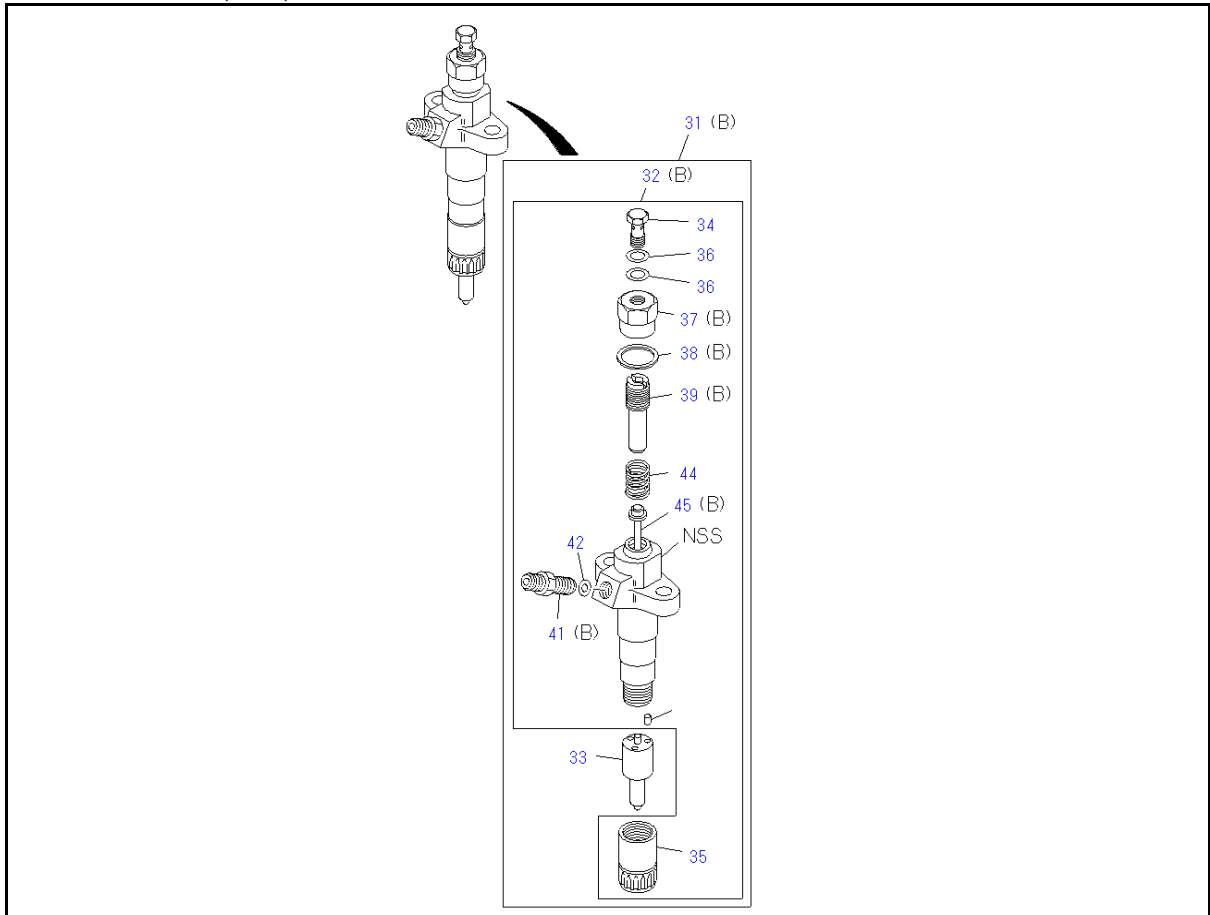


(No.2)



0-40 FUEL INJECTION SYSTEM

(No.3)



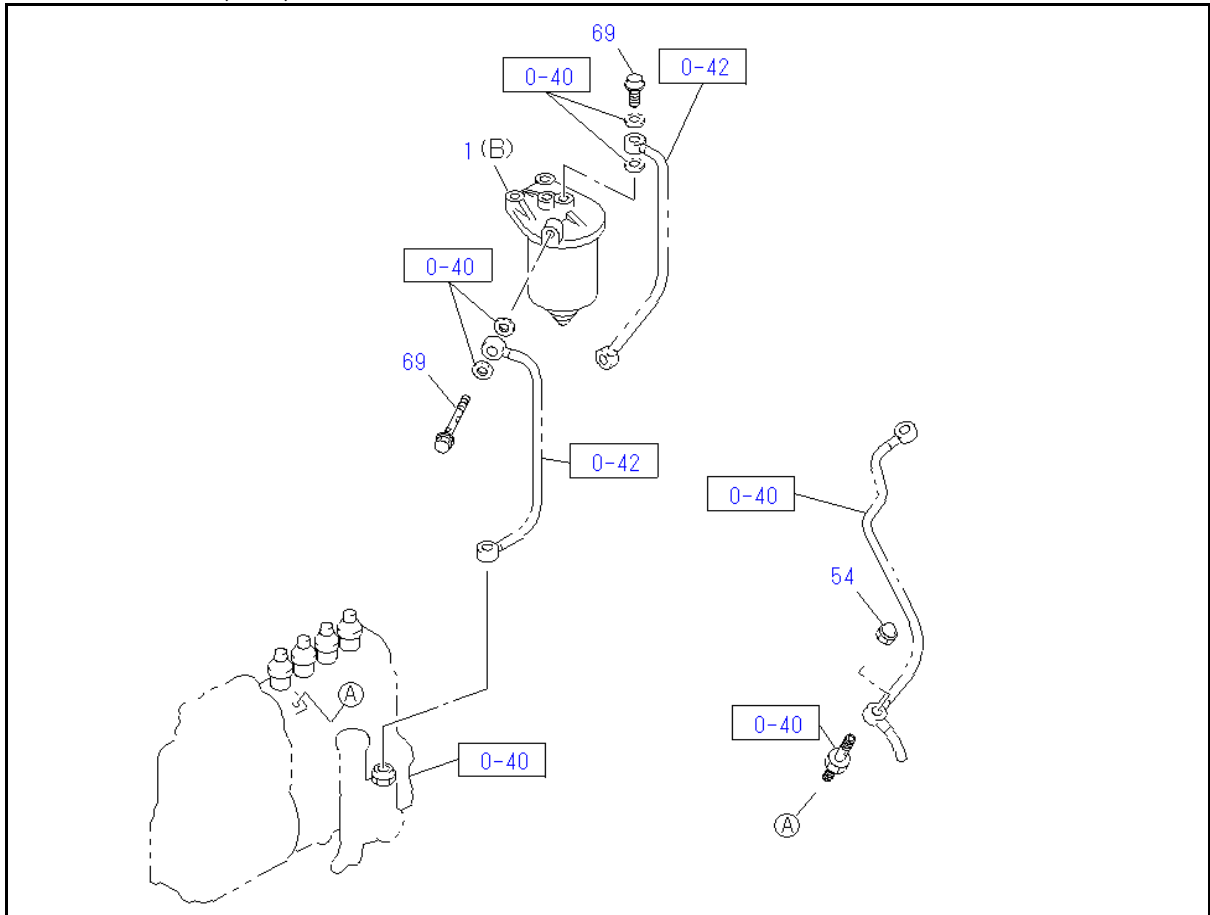
KEY No.	Part no.	qty	Part description	Engine serial no.
1	8-97377-787-0	1	PUMP ASM; INJ	UP TO 931011
1	8-98057-829-0	1	PUMP ASM; INJ	931012 - UP
15	8-97255-129-0	1	COUPLING ASM; INJ PUMP	
16	8-97252-060-0	1	PIPE; INJ NO.1	
17	8-97252-061-0	1	PIPE; INJ NO.2	
18	8-97252-062-0	1	PIPE; INJ NO.3	
19	8-97252-063-0	1	PIPE; INJ NO.4	
31 (B)	1-15300-394-0	4	NOZZLE ASM; INJ	
32 (B)	8-97134-841-0	4	HOLDER ASM; NOZZLE	
33	1-15311-300-0	4	NOZZLE; INJ	
34	1-09675-037-1	4	BOLT; EYE,NOZZLE HOLDER	
35	1-15332-017-0	4	NUT; NOZZLE RET,NOZZLE HOLDER	
36	1-09630-082-0	8	GASKET; RETURN PIPE,NOZZLE	
37 (B)	5-15332-006-0	4	NUT; CAP,NOZZLE HOLDER	
38 (B)	5-15339-060-0	4	GASKET; CAP NUT,NOZZLE HOLDER	
39 (B)	8-94169-503-0	4	SCREW; ADJ,NOZZLE SPRING,NOZZLE HOLDER	
41 (B)	8-94320-308-0	4	CONNECTOR; FUEL INL,NOZZLE	
42	5-15339-003-0 <5-51339-003-0>	4	GASKET; INL CONNECTOR,NOZZLE HOLDER	
44	5-15343-005-0	4	SPRING; NOZZLE,NOZZLE HOLDER	
45 (B)	8-94169-502-0	4	ROD; PUSH,NOZZLE HOLDER	
54	9-15339-051-0	4	COVER; DUST,NOZZLE HOLDER	
62	0-91180-108-0	8	NUT; NOZZLE HOLDER M8	
63 (A)	5-15411-042-0	1	PIPE; FUEL,NOZZLE LEAK OFF	
65	9-09572-014-0	4	GASKET; FUEL FILTER ID=14.2 OD=23.0	
66	5-15315-003-0	4	GASKET; INJ NOZZLE	

0-40 FUEL INJECTION SYSTEM

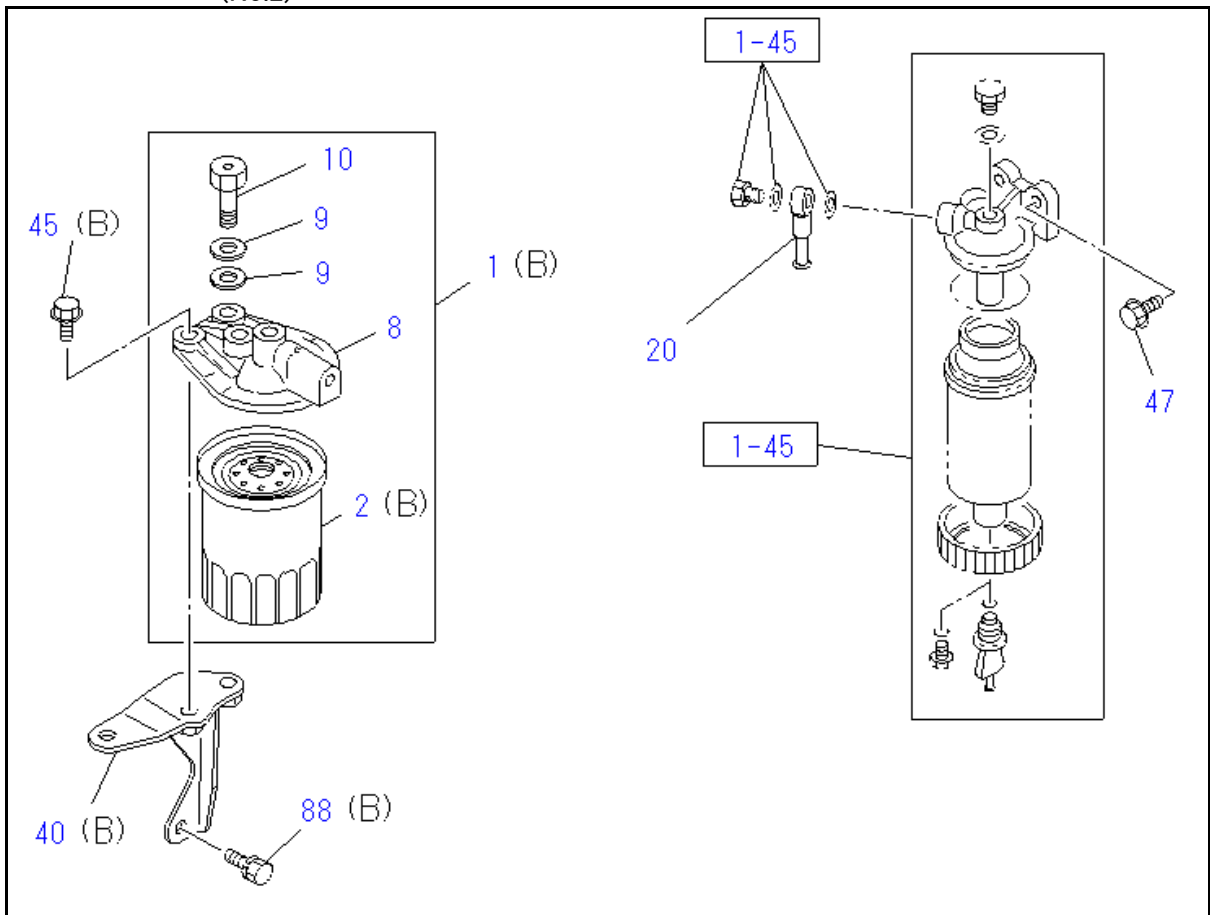
KEY No.	Part no.	qty	Part description	Engine serial no.
72	0-28081-022-0	1	BOLT; BRKT TO INJ PUMP M10X22 FLANGE	
75	0-91610-510-0	1	WASHER; PL,BRKT TO INJ PUMP ID=10,5	
75	0-91610-710-0 <9-09160-710-0>	1	WASHER; PL,BRKT TO INJ PUMP ID=10,5 OD=26	
80 (C)	8-97222-171-0	1	BRACKET; PUMP	UP TO 905254
80 (C)	8-97322-730-0	1	BRACKET; PUMP	905255 - UP
84	0-91180-210-0	1	NUT; BRKT TO BRKT M10	
87	0-28051-020-0	2	BOLT; PUMP M10X20 FLANGE	
93	9-09571-408-0	2	GASKET; LEAK OFF PIPE	
113	5-15419-013-1	3	CLIP; INJ PIPE	
133 (A)	8-94423-529-0	1	PIPE; INJ NOZZLE LEAK OFF	
134	1-09675-037-1	1	BOLT; JOINT,LEAK OFF PIPE M8X18 FLANGE	
137 (A)	5-15411-223-1	1	PIPE ASM; LEAK OFF	
214	8-97213-668-1	1	ORIFICE; INJ PUMP	
336	8-97015-784-0 <8-94238-570-0>	2	CLIP; FUEL PIPE ID=11	

0-41 FUEL FILTER AND BRACKET

(No.1)



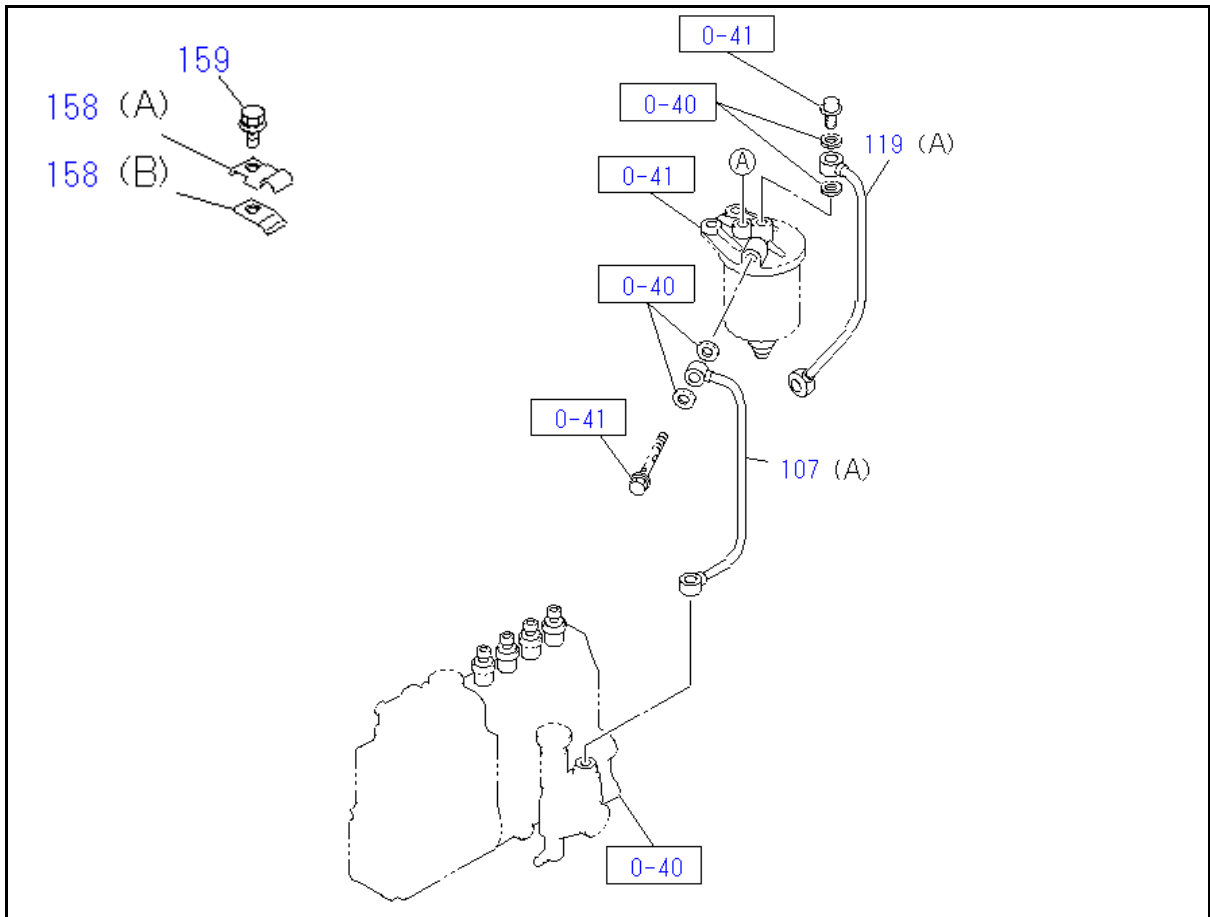
(No.2)



0-41 FUEL FILTER AND BRACKET

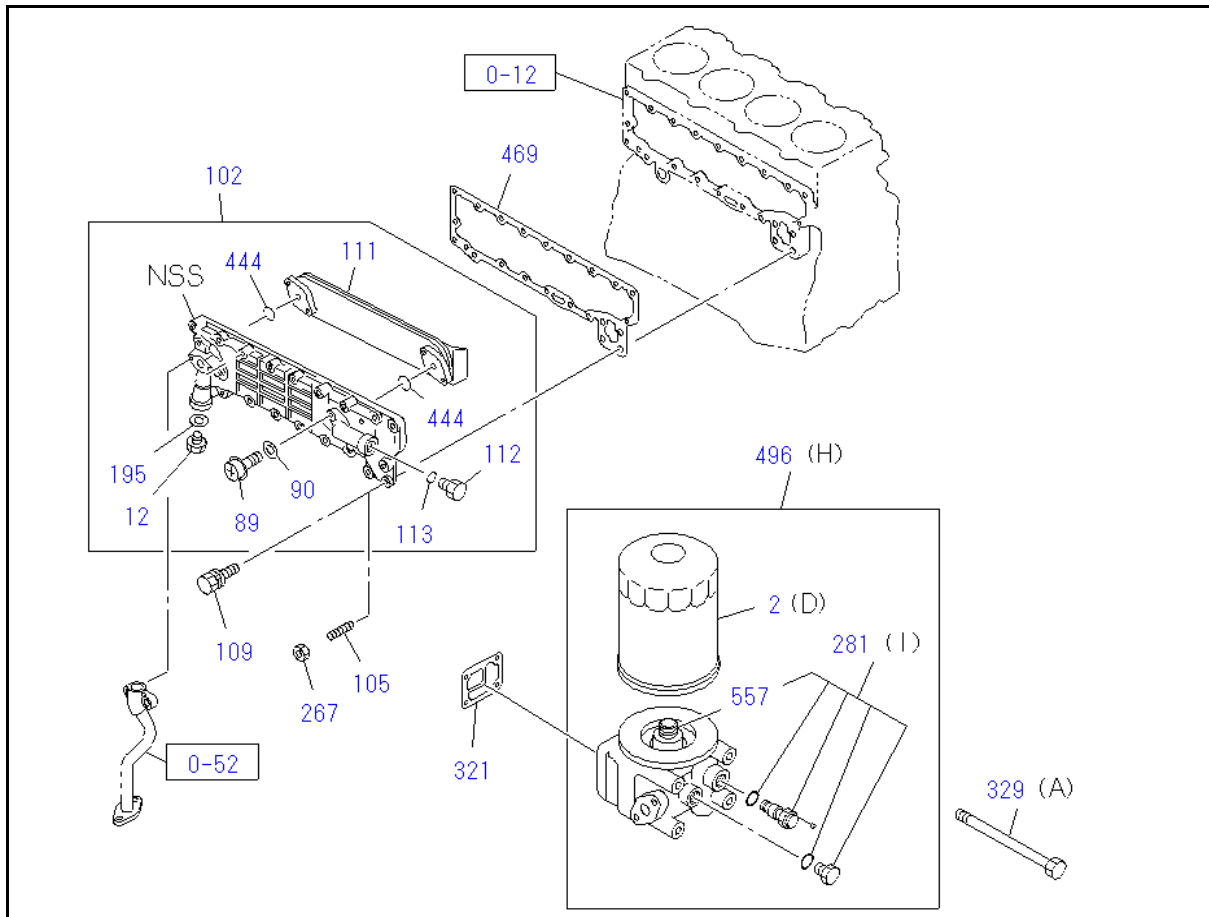
KEY No.	Part no.	qty	Part description	Engine serial no.
1 (B)	1-13200-701-4	1	FILTER ASM; FUEL	
2 (B)	8-98036-654-0	1	ELEMENT KIT; FUEL FILTER	
8	1-13212-108-1	1	COVER; FUEL FILTER	
9	8-98251-345-0	2	GASKET; EYE JOINT ID=14.2 OD=19.2	
10	1-13260-047-0	1	VALVE; OVERFLOW,FUEL FILTER	
20	5-15411-223-1	1	JOINT; EYE,FUEL FILTER	
40 (B)	5-19755-001-0	1	BRACKET; FUEL FILTER	
45 (B)	0-28651-030-0	2	BOLT; FUEL FILTER M10X30 FLANGE	
47	0-28050-825-0	2	BOLT; BRKT,FUEL FILTER M8X25 FLANGE	
54	1-09468-002-1	1	NUT; CAP,OVERFLOW VLV	
69	9-09906-325-1	2	BOLT; EYE,FUEL FILTER M14X29 EYE BOLT	
69	1-09675-063-0	1	BOLT; EYE,FUEL FILTER M14X27	
88 (B)	0-28051-020-0	2	BOLT; BRKT,FUEL FILTER M10X20 FLANGE	

0-42 FUEL PUMP AND PIPE



KEY No.	Part no.	qty	Part description	Engine serial no.
107 (A)	5-15411-457-0	1	PIPE; FUEL,FEED PUMP TO FUEL	
119 (A)	9-15412-731-1	1	PIPE; FUEL,FUEL FILTER TO INJ PUMP	
158 (A)	5-15419-004-0	1	CLIP; INJ PIPE TO INL MANIF	
158 (B)	5-15419-005-1	1	CLIP; INJ PIPE TO INL MANIF	
159	0-28650-616-0	1	BOLT; CLIP M6X16 FLANGE	

0-50 OIL COOLER AND OIL FILTER

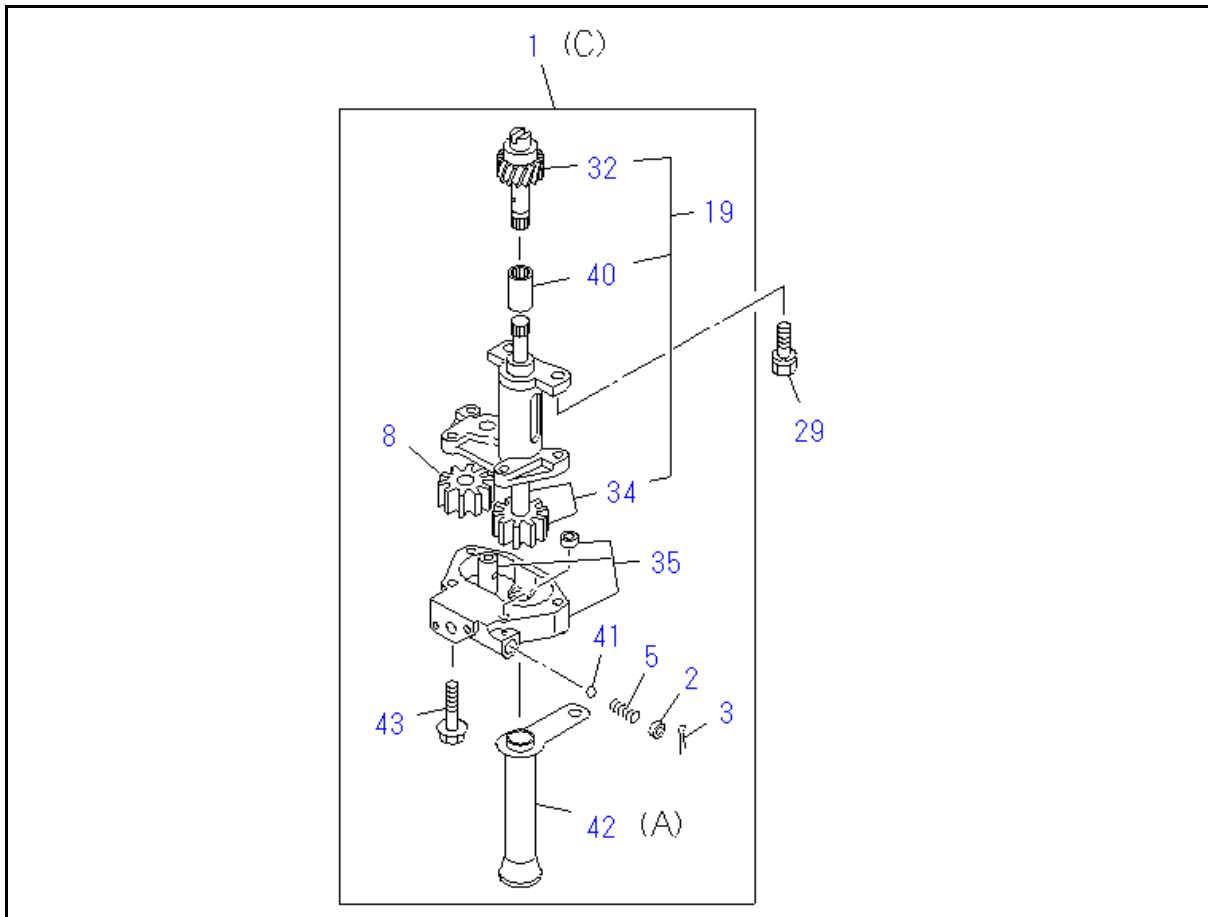


KEY No.	Part no.	qty	Part description	Engine serial no.
2 (D)	1-13240-232-2	1	ELEMENT; OIL FILTER	
12	5-11288-002-0	1	VALVE ASM; BYPASS	
89	0-28050-816-0 <0-28080-816-0>	4	BOLT; ELEMENT TO CASE M8X16 FLANGE	
90	1-21729-043-0	4	GASKET; BOLT,OIL COOLER	
102	8-97020-037-3	1	COOLER ASM; OIL	
105	8-94217-227-0	2	STUD; OIL COOLER	
109	0-50540-825-0	11	BOLT; OIL COOLER TO BODY M8X25 W/LK WASHER	
109	0-50740-845-0 <0-50540-845-0>	6	BOLT; OIL COOLER TO BODY M8X45 W/LK WASHER	
109	0-50540-820-0	2	BOLT; OIL COOLER TO BODY M8X20 W/LK WASHER	
109	8-94205-986-1	1	BOLT; OIL COOLER TO BODY M8X65 W/LK WASHER	
111	8-97032-025-0	1	CORE; OIL COOLER	
112	8-97128-150-0	1	PLUG; OIL COOLER CASE	
113	9-09565-225-0	1	GASKET; PLUG,OIL COOLER CASE	
195	9-09571-620-0	1	GASKET; OIL COOLER	
267	0-91180-208-0	2	NUT; OIL COOLER M8	
281 (I)	8-97318-927-1	1	COVER; OIL FILTER	
321	8-94370-670-0	1	GASKET; OIL FILTER TO C/BL	
329 (A)	0-28056-014-0	2	BOLT; OIL FILTER M10X140 FLANGE	
329 (A)	0-28056-015-0	2	BOLT; OIL FILTER M10X150 FLANGE	
444	5-11282-011-0	2	GASKET; ELEMENT TO BODY	
469	8-97233-302-3	1	GASKET; OIL COOLER TO C/BL	

0-50 OIL COOLER AND OIL FILTER

KEY No.	Part no.	qty	Part description	Engine serial no.
496 (H)	8-98304-241-0 <1-13201-062-2>	1	FILTER ASM; OIL	
557	8-97222-125-0	1	NIPPLE; OIL FILTER	

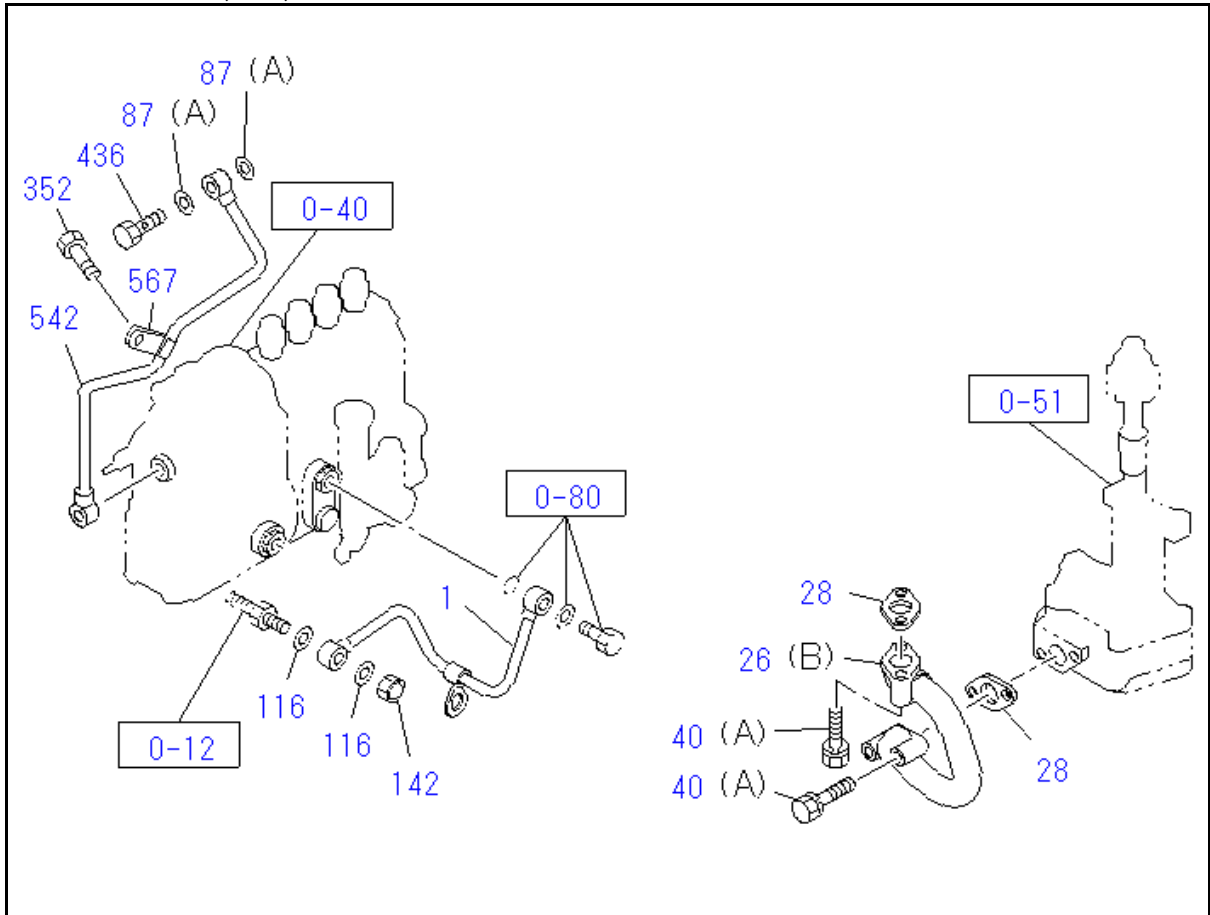
0-51 OIL PUMP AND OIL STRAINER



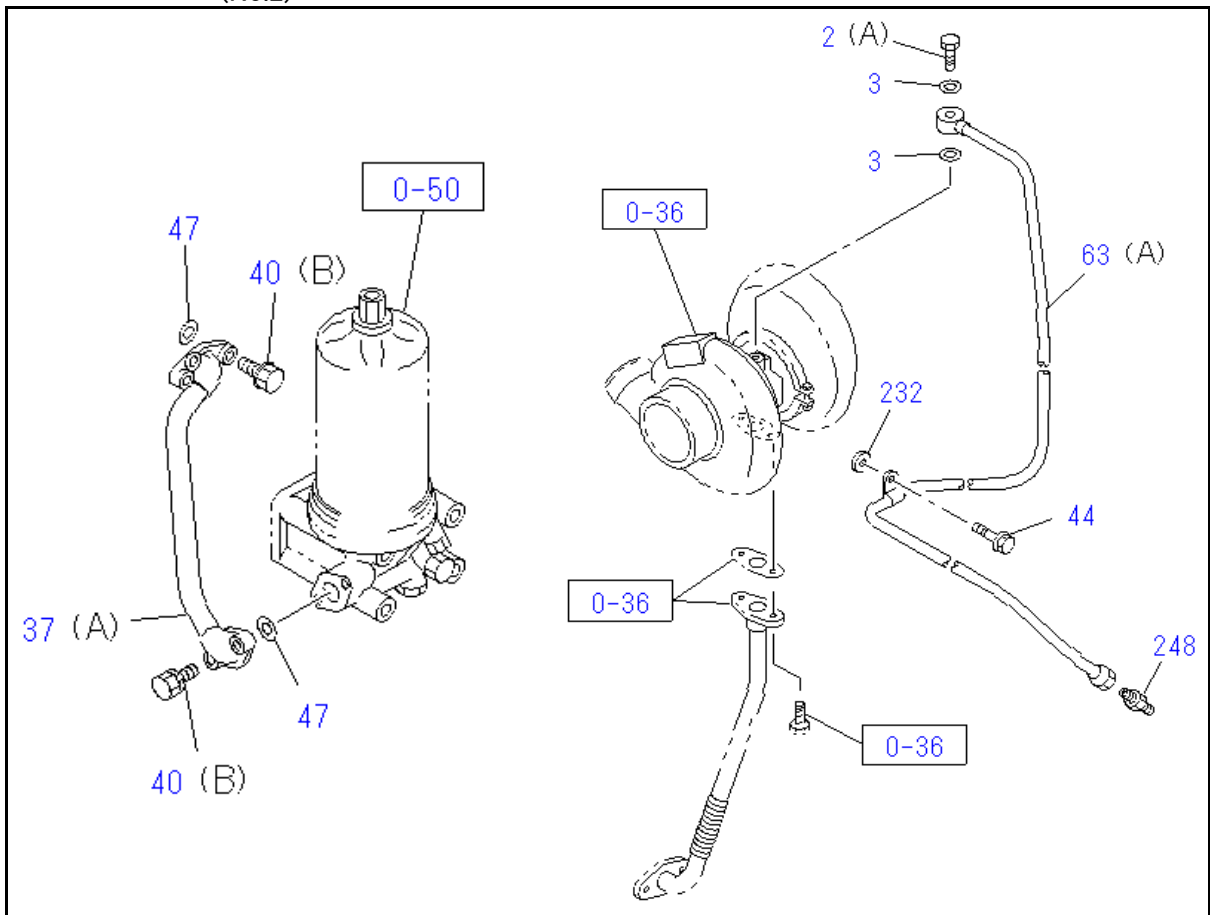
KEY No.	Part no.	qty	Part description	Engine serial no.
1 (C)	8-97065-384-0	1	PUMP ASM; OIL	
2	5-13165-004-0	1	SEAT; SPR	
3	0-81124-030-0	1	PIN; SPLIT	
5	5-09580-098-0	1	SPRING; COIL	
8	8-94163-595-0	1	GEAR; DRIVEN,OIL PUMP	
19	5-87812-008-0	1	GEAR SET; OIL PUMP	
29	0-28051-025-0	2	BOLT; OIL PUMP M10X25 FLANGE	
32	1-13128-018-0	1	PINION; OIL PUMP DRIVING	
34	8-94163-594-0	1	SHAFT; OIL PUMP	
35	8-94163-597-0	1	COVER; OIL PUMP	
40	1-13123-016-0	1	COUPLING; PINION TO SHAFT	
41	5-09843-003-0	1	BALL; OIL RELIEF VLV	
42 (A)	1-13140-116-0	1	STRAINER; OIL,OIL PUMP	
43	8-94344-591-0	4	BOLT; CASE	

0-52 OIL AND VACUUM PIPING; ENGINE

(No.1)

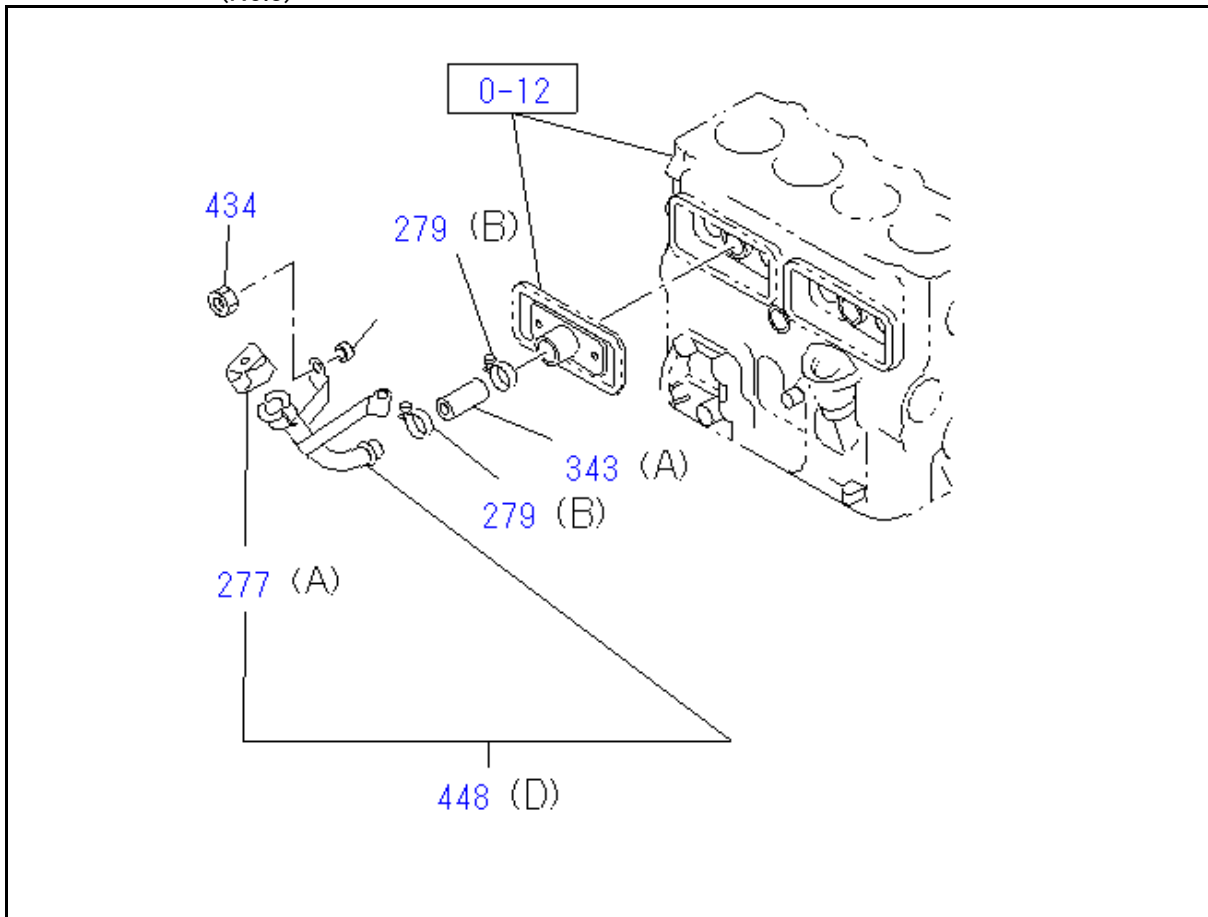


(No.2)



0-52 OIL AND VACUUM PIPING; ENGINE

(No.3)

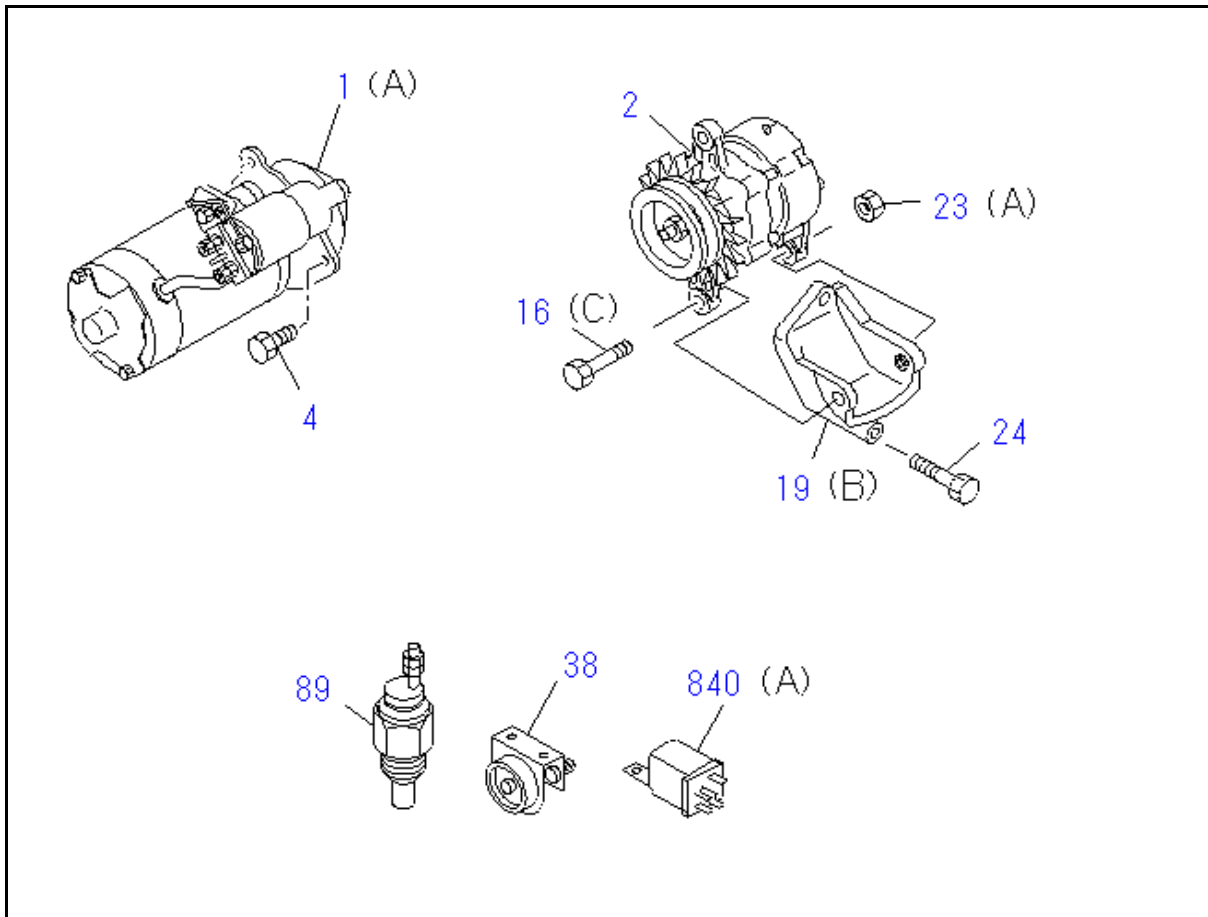


KEY No.	Part no.	qty	Part description	Engine serial no.
1	8-97252-321-1	1	PIPE; OIL,INJ PUMP TO C/BL	
2 (A)	9-09906-205-1	1	BOLT; EYE,OIL PIPE M10X24	
3	9-09571-410-0	2	GASKET; EYE BOLT,OIL PIPE ID=10.2 OD=16.0	
26 (B)	8-94131-060-3	1	PIPE; OIL,PUMP TO C/BL	
28	9-09921-188-0	2	GASKET; OIL PIPE	
37 (A)	8-94401-785-2	1	PIPE; OIL,FILTER TO COOLER	
40 (A)	0-50640-845-0	4	BOLT; OIL PIPE M8X45 W/LK&PLWASHER	
40 (B)	0-28050-835-0 <0-28080-832-0>	1	BOLT; OIL PIPE M8X32 FLANGE	
40 (B)	0-28050-830-0	2	BOLT; OIL PIPE M8X30 FLANGE	
40 (B)	0-28050-835-0	1	BOLT; OIL PIPE M8X35 FLANGE	
44	0-28050-812-0	1	BOLT; CLIP,OIL PIPE M8X12 FLANGE	
44	0-28651-030-0	1	BOLT; CLIP,OIL PIPE M10X30 FLANGE	
47	1-09623-462-0	2	GASKET; OIL PIPE ID=22.8	
63 (A)	8-97176-266-1	1	PIPE; OIL,TURBOCHARGER FEED	
87 (A)	9-09571-410-0	2	GASKET; JOINT BOLT ID=10.2 OD=16.0	
116	9-09572-010-0	2	GASKET; CAP NUT,OIL PIPE	
142	9-09844-022-0	1	NUT; CAP,OIL PIPE,INJ PUMP TO C/BL	
232	5-12379-001-0	1	SPACER; OIL PIPE CLIP	

0-52 OIL AND VACUUM PIPING; ENGINE

KEY No.	Part no.	qty	Part description	Engine serial no.
248	0-92121-810-0	1	CONNECTOR; TURBOCHARGER OIL FEED PIPE M16&PT1/4	
277 (A)	1-11750-024-1 <1-11750-020-0>	1	CAP; OIL FILLER	
279 (B)	8-94158-975-0 <8-94162-568-0>	2	CLIP; RUBBER HOSE	
343 (A)	1-09360-043-0	1	HOSE; RUBBER	
352	0-28050-812-0	1	BOLT; CLIP M8X12 FLANGE	
434	0-91180-108-0	2	NUT; OIL FILLER M8	
436	8-97372-238-0	1	BOLT; JOINT M10X21 FLANGE	
448 (D)	1-11740-204-1 <1-11740-174-2>	1	FILLER; OIL	
542	8-97254-369-2	1	PIPE: VAC,BOOST	
567	1-09700-444-0	2	CLIP; PIPE	

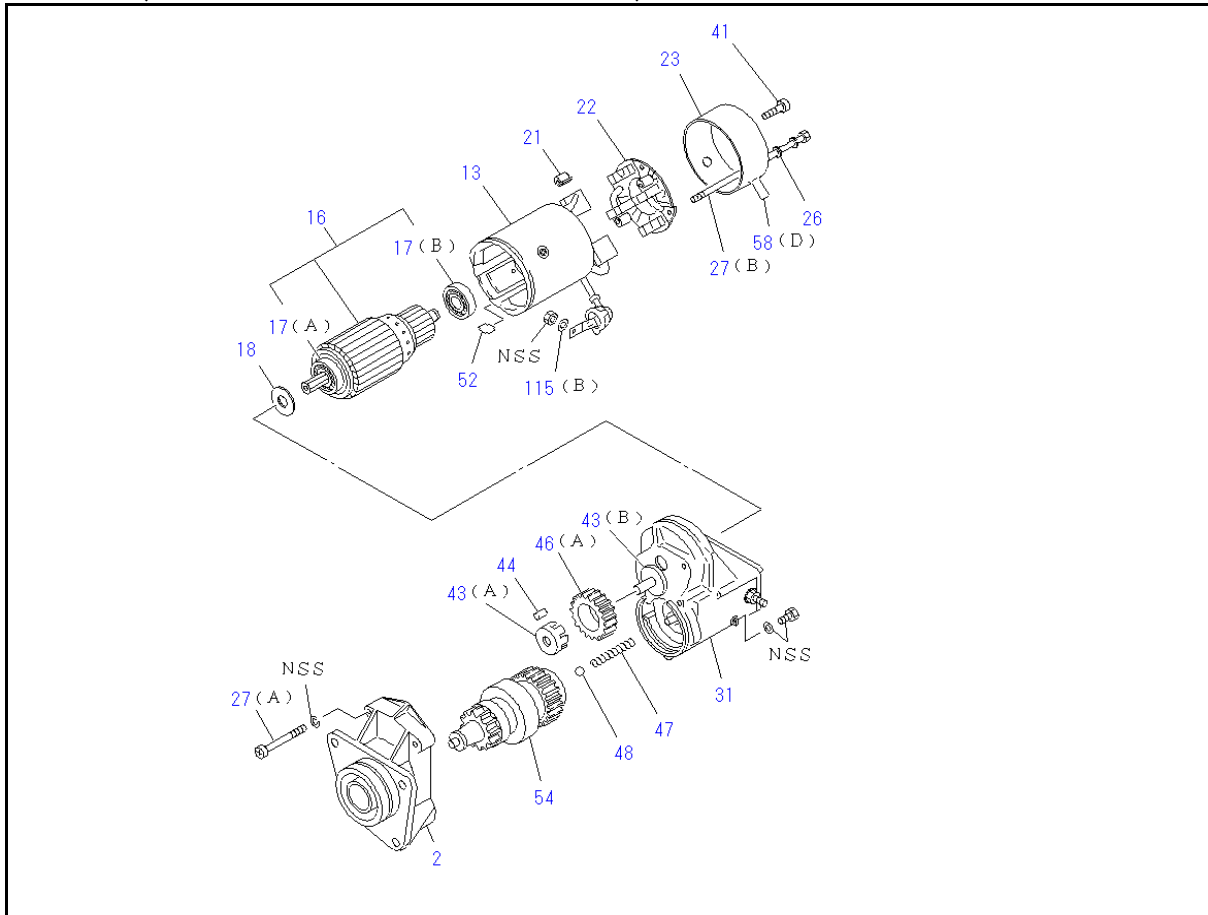
0-60 ENGINE ELECTRICAL CONTROL PARTS



KEY No.	Part no.	qty	Part description	Engine serial no.
1 (A)	8-97358-062-1 <5-81100-169-3>	1	STARTER ASM 12V-2.5KW DENSO	UP TO 931011
1 (A)	8-97358-062-1	1	STARTER ASM 12V-2.5KW DENSO	931012 - UP
2	8-97168-246-1	1	GENERATOR ASM 12V-60A DENSO	
4	0-28751-235-0	2	BOLT; STARTER M12X35 FLANGE	
4	0-50051-228-0	1	BOLT; STARTER M12X28 W/LK WASHER	
16 (C)	0-28051-000-0	1	BOLT; GEN M10X100 FLANGE	
19 (B)	8-97178-555-0	1	BRACKET; GEN	
23 (A)	0-91180-210-0	1	NUT; GEN M10	
24	0-28051-025-0	1	BOLT; GEN BRKT M10X25 FLANGE	
24	0-28051-070-0	1	BOLT; GEN BRKT M10X70 FLANGE	
24	0-28051-050-0 <0-28081-050-0>	1	BOLT; GEN BRKT M10X50 FLANGE	
38	8-94173-948-0	1	RESISTOR; CONT,GLOW PLUG	
89	8-97262-970-0	1	SWITCH; OVER HEAT WARNING	
840 (A)	5-82550-029-0	1	RELAY; STOPPER	

0-65-1 STARTER

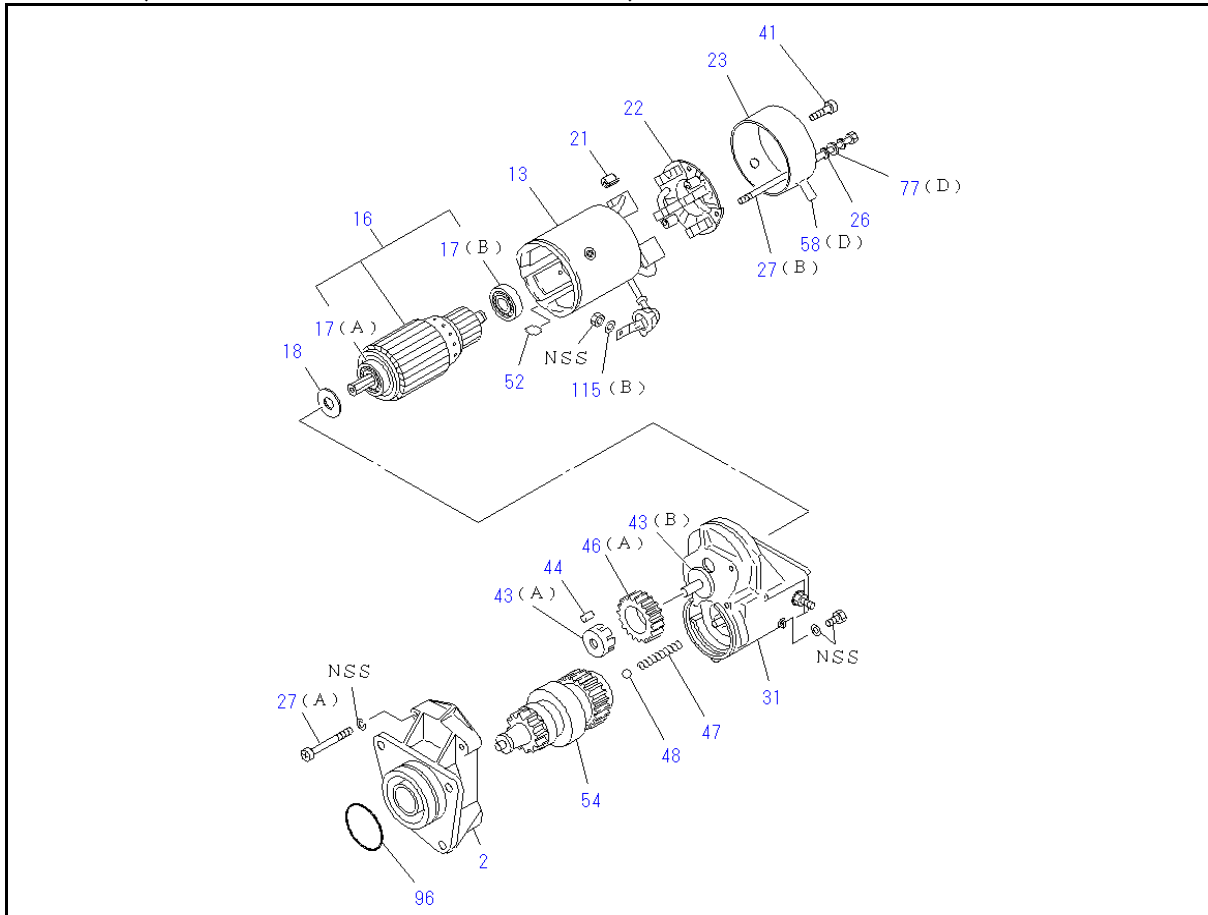
(UP TO ENGINE SERIAL NO. 931011)



KEY No.	Part no.	qty	Part description	Engine serial no.
2	5-81113-021-0	1	CASE; PINION,STARTER	UP TO 931011
13	8-94384-375-0	1	YOKE; STARTER	
16	5-81121-022-1	1	ARMATURE; STARTER	
17 (A)	5-09800-064-0	1	BEARING; ARMATURE,START FRONT	
17 (B)	5-09800-081-0 <5-09800-041-0>	1	BEARING; ARMATURE,START REAR	
18	5-81129-128-0	1	WASHER; THRUST,ARMATURE	
21	1-81117-010-0	4	SPRING; BRUSH HOLDER ST	
22	5-81118-013-0	1	HOLDER; BRUSH STARTER	
23	8-97211-498-0	1	COVER; RR COVER STARTER	
26	5-81129-131-0	2	SEAL; THROUGH BOLT STAR	UP TO 931011
27 (A)	1-81129-483-0	3	BOLT; THROUGH,STARTER	
27 (B)	1-81129-698-0	2	BOLT; THROUGH,STARTER	
31	8-94384-376-0	1	SWITCH; ENGAGE STARTER	UP TO 931011
41	5-81129-130-0	2	SCREW; RR COVER,STARTER	
43 (A)	5-81129-121-0	1	RETAINER; PINION STARTE	
43 (B)	5-81129-127-0	1	RETAINER; PINION STARTE	
44	5-81129-120-0	5	ROLLER; PINION STARTER	
46 (A)	5-81123-018-0	1	GEAR; CLU STARTER	
47	5-81129-119-0	1	SPRING; PINION STARTER	
48	5-81129-092-0	1	BALL; PINION,STARTER	
52	5-81129-136-0	1	PLATE; LK,STARTER	
54	5-81124-004-0	1	CLUTCH; PINION,STARTER	UP TO 931011
58 (D)	1-81129-677-0	1	PIPE; DRAIN RR COVER ST	
115 (B)	5-81129-134-0	1	WASHER; TERMINAL	UP TO 931011

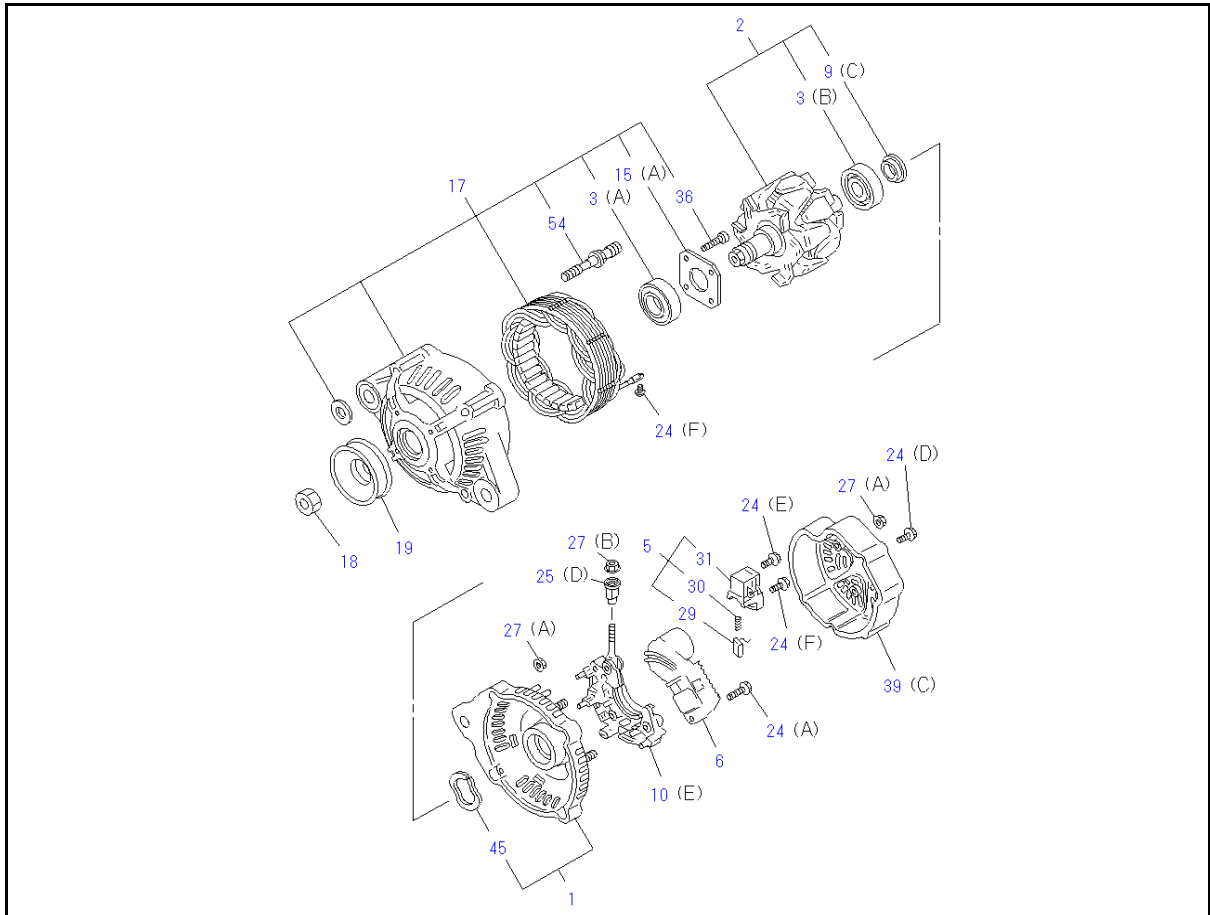
0-65-2 STARTER

(FROM ENGINE SERIAL NO. 931012)



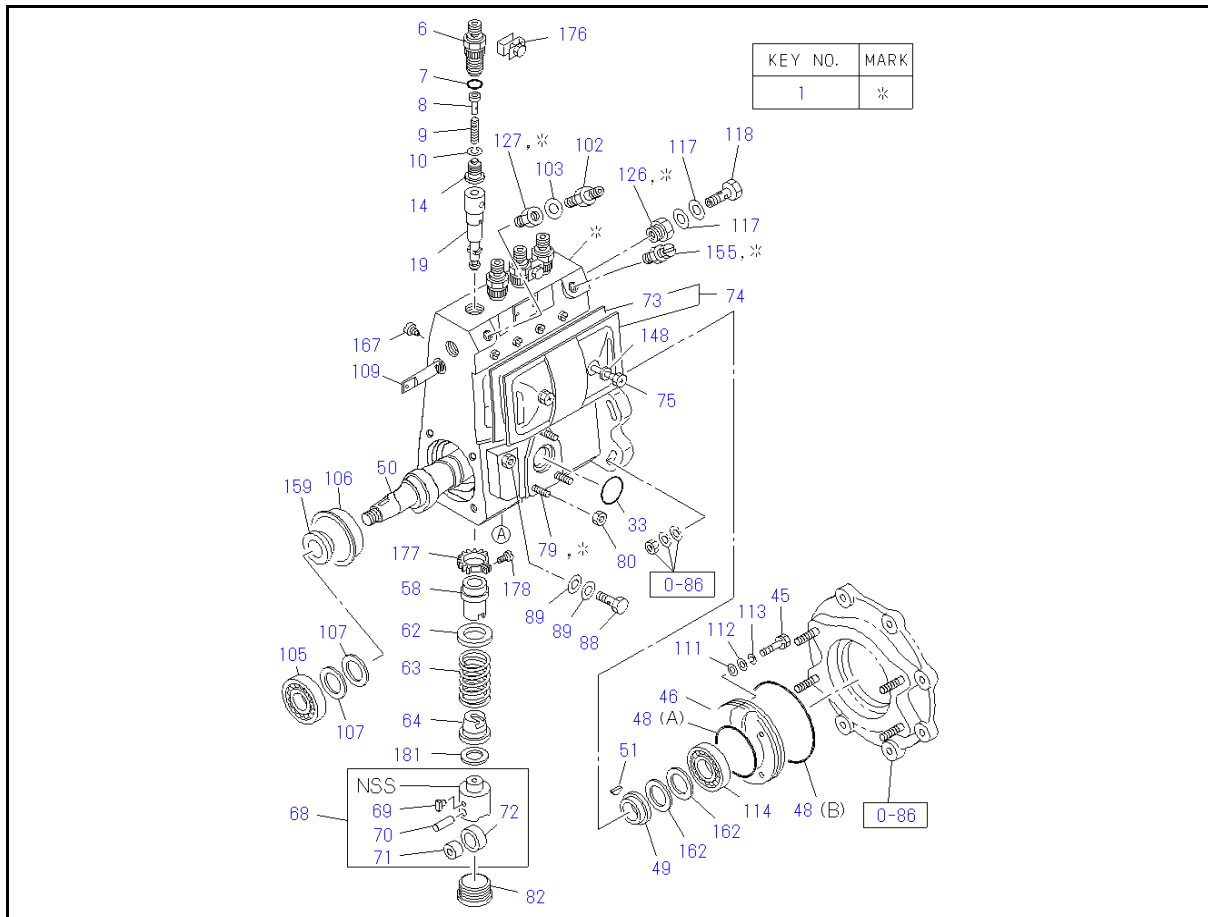
KEY No.	Part no.	qty	Part description	Engine serial no.
2	8-97361-737-0	1	CASE; PINION,STARTER	931012 - UP
13	8-94384-375-0	1	YOKE; STARTER	
16	5-81121-022-1	1	ARMATURE; STARTER	
17 (A)	5-09800-064-0	1	BEARING; ARMATURE,START FRONT	
17 (B)	5-09800-081-0 <5-09800-041-0>	1	BEARING; ARMATURE,START REAR	
18	5-81129-128-0	1	WASHER; THRUST,ARMATURE	
21	1-81117-010-0	4	SPRING; BRUSH HOLDER ST	
22	5-81118-013-0	1	HOLDER; BRUSH STARTER	
23	8-97211-498-0	1	COVER; RR COVER STARTER	
26	8-97361-738-0	3	SEAL; THROUGH BOLT STAR	931012 - UP
27 (A)	1-81129-483-0	3	BOLT; THROUGH,STARTER	
27 (B)	1-81129-698-0	2	BOLT; THROUGH,STARTER	
31	8-97377-213-0	1	SWITCH; ENGAGE STARTER	931012 - UP
41	5-81129-130-0	2	SCREW; RR COVER,STARTER	
43 (A)	5-81129-121-0	1	RETAINER; PINION STARTE	
43 (B)	5-81129-127-0	1	RETAINER; PINION STARTE	
44	5-81129-120-0	5	ROLLER; PINION STARTER	
46 (A)	5-81123-018-0	1	GEAR; CLU STARTER	
47	5-81129-119-0	1	SPRING; PINION STARTER	
48	5-81129-092-0	1	BALL; PINION,STARTER	
52	5-81129-136-0	1	PLATE; LK,STARTER	
54	8-97361-736-0	1	CLUTCH; PINION,STARTER	931012 - UP
58 (D)	1-81129-677-0	1	PIPE; DRAIN RR COVER ST	
77 (D)	5-81129-212-0	3	WASHER; THROUGH BOLT,ST	
96	8-97361-739-0	1	GASKET;FRT CASE	
115 (B)	0-91610-610-0 <9-09160-610-0>	1	WASHER; TERMINAL	931012 - UP

0-66 GENERATOR



KEY No.	Part no.	qty	Part description	Engine serial no.
1	8-97383-231-0	1	COVER ASM; RR,GEN	
2	8-97383-230-0	1	ROTOR; GEN	
3 (A)	8-97171-370-0	1	BEARING; ROTOR,GEN	
3 (B)	8-97171-369-0	1	BEARING; ROTOR,GEN	
5	8-94139-013-2	1	HOLDER; BRUSH,GEN	
6	1-81260-021-0	1	REGULATOR ASM; VOLTAGE,GEN	
9 (C)	8-94123-051-0	1	COVER; FELT WASHER,ROTOR,GEN	
10 (E)	8-97171-368-0	1	RECTIFIER; GEN	
15 (A)	8-94406-982-0	1	RETAINER; ROTOR,GEN	
17	8-97383-229-0	1	COVER ASM; FRT,GEN	
18	8-94123-043-0	1	NUT; PULLEY,GEN	
19	8-97383-228-0	1	PULLEY; GEN	
24 (A)	8-97032-314-0	2	SCREW; RECTIFIER,GEN	
24 (D)	8-97142-569-0	1	SCREW; RECTIFIER,GEN	
24 (E)	8-97142-568-0	1	SCREW; RECTIFIER,GEN	
24 (F)	8-94455-161-0	6	SCREW; RECTIFIER,GEN	
25 (D)	8-94135-760-0	1	BUSHING; INSULATION TERMINAL	
27 (A)	8-94123-064-0	7	NUT; RECTIFIER,GEN	
27 (B)	8-94206-186-0	1	NUT; RECTIFIER,GEN	
29	8-97032-310-0	2	BRUSH; GEN	
30	8-94123-057-0	2	SPRING; BRUSH,GEN	
31	8-94139-014-2	1	SHEET; BRUSH,GEN	
36	8-97142-562-0	4	SCREW; FRT COVER	
39 (C)	8-97171-366-0	1	COVER; END,RR COVER,GEN	
45	8-97142-570-0	1	WASHER; INSULATE,RR COVER,GEN	
54	8-94123-048-0	4	BOLT; RECTIFIER,GEN	

0-80 INJECTION PUMP



KEY No.	Part no.	qty	Part description	Engine serial no.
1	8-97319-020-0	1	HOUSING; PUMP,FUEL INJ	
6	1-15644-009-0	4	HOLDER; DELIVERY VLV,INJ PUMP	
7	9-81235-046-0	4	GASKET; HOLDER,DELIVERY VLV	
8	1-15649-005-0	4	STOPPER; DELIVERY VLV,INJ PUMP	
9	1-15643-014-0	4	SPRING; DELIVERY VALVE	
10	1-15619-103-0	4	GASKET; DELIVERY VLV,INJ PUMP	
14	1-15641-031-0	4	VALVE; DELIVERY,INJ PUMP	
19	1-15632-058-0	4	PLUNGER ASM; INJ PUMP	
33	1-09623-013-0	1	GASKET; FUEL FEED PUMP,	
45	8-97085-000-0	4	BOLT; FRT COVER TO HSG	
46	8-97084-999-0	1	COVER; FRT,PUMP HSG	
48 (A)	1-15629-076-0	1	GASKET; FRT COVER TO HSG	
48 (B)	8-97085-113-0	1	GASKET; FRT COVER TO HSG	
49	8-97084-990-0	1	RING; FRT BRG,CM/SHF	
50	8-97251-907-0	1	CAMSHAFT; INJ PUMP	
51	1-15629-009-0	1	KEY; DRIVE GEAR,INJ PUMP	
58	9-81231-523-0	4	SLEEVE; CONT,INJ PUMP	
62	1-15639-022-0	4	SEAT; PLUNGER SPRING,INJ PUMP	
63	1-15634-007-0	4	SPRING; PLUNGER,INJ PUMP	
64	1-15639-023-0	4	SEAT; PLUNGER SPRING LWR,INJ	
68	1-15622-006-0	4	TAPPET; CM/SHF,INJ PUMP	
69	1-15629-018-0	4	GUIDE; TAPPET,INJ PUMP	
70	9-81215-185-0	4	PIN; TAPPET ROLLER,INJ PUMP	
71	1-15619-162-0	4	BUSHING; TAPPET ROLLER,INJ PUMP	
72	1-15629-010-0	4	ROLLER; TAPPET,INJ PUMP	
73	8-94386-596-0	1	GASKET; COVER TO HSG	
74	8-94171-109-0	1	COVER; HSG,INJ PUMP	
75	1-15619-003-0	2	SCREW; COVER TO HSG	
79	9-81215-115-0	3	STUD; FUEL FEED PUMP TO HSG	
80	8-94171-110-0	3	NUT; FUEL FEED PUMP FIX	

0-80 INJECTION PUMP

KEY No.	Part no.	qty	Part description	Engine serial no.
82	1-15619-160-0	4	PLUG; HSG,INJ PUMP	
88	9-09706-037-0	1	BOLT; EYE,OIL FEED,INJ PUMP	
89	9-09572-010-0	2	GASKET; OIL FEED BOLT,INJ PUMP	
102	1-15619-488-0	1	VALVE; OVERFLOW,INJ PUMP	
103	9-09572-014-0 <1-15759-001-0>	2	GASKET; OVERFLOW VLV,INJ PUMP	
105	1-15629-002-0	1	BEARING; CM/SHF RR,INJ PUMP NSK	
105	1-15629-003-0	1	BEARING; CM/SHF RR,INJ PUMP NTN	
106	1-15619-159-0	1	RING; HSG,INJ PUMP	
107	5-15629-025-0	1	SHIM; RR BEARING,CM/SHF T=0.10	
107	5-15629-026-0	1	SHIM; RR BEARING,CM/SHF T=0.12	
107	5-15629-027-0	1	SHIM; RR BEARING,CM/SHF T=0.14	
107	5-15629-028-0	1	SHIM; RR BEARING,CM/SHF T=0.16	
107	5-15629-029-0	1	SHIM; RR BEARING,CM/SHF T=0.18	
107	5-15629-030-0	1	SHIM; RR BEARING,CM/SHF T=0.30	
107	5-15629-031-0	1	SHIM; RR BEARING,CM/SHF T=0.50	
107	5-15629-032-0	1	SHIM; RR BEARING,CM/SHF T=1.00	
109	5-15637-002-0	1	RACK; CONT,INJ PUMP	
111	1-15629-024-0	4	GASKET; FRT COVER FIX	
112	8-97085-001-0	4	SHIM; FRT COVER FIX	UP TO 931011
112	9-81315-216-0	4	SHIM; FRT COVER FIX	931012 - UP
113	8-94128-928-0	4	WASHER; LK,FRT COVER TO HSG	
114	8-97084-989-0	1	BEARING; CM/SHF FRT,INJ PUMP	
117	9-09572-014-0 <1-15759-001-0>	2	GASKET; EYE BOLT,INJ PUMP	
118	1-15619-082-0	1	BOLT; EYE,FUEL INL,INJ PUMP	
126	9-81235-017-0	1	ADAPTER; EYE BOLT,PUMP HSG	
127	8-97319-021-0	1	ADAPTER; FUEL PIPE	
148	9-81215-144-0	2	GASKET; COVER FIX BOLT	
155	1-15619-191-0	1	BOLT; AIR BLEED,INJ PUMP	
159	5-15629-024-1	1	RING; RR BEARING,CM/SHF,INJ PUMP	
162	8-97084-991-0	1	SHIM; FRT BRG,CM/SHF T=0.10	
162	8-97084-992-0	1	SHIM; FRT BRG,CM/SHF T=0.12	
162	8-97084-993-0	1	SHIM; FRT BRG,CM/SHF T=0.14	
162	8-97084-994-0	1	SHIM; FRT BRG,CM/SHF T=0.16	
162	8-97084-995-0	1	SHIM; FRT BRG,CM/SHF T=0.18	
162	8-97084-996-0	1	SHIM; FRT BRG,CM/SHF T=0.30	
162	8-97084-997-0	1	SHIM; FRT BRG,CM/SHF T=0.50	
162	8-97121-620-0	1	SHIM; FRT BRG,CM/SHF T=0.70	
162	8-97084-998-0	1	SHIM; FRT BRG,CM/SHF T=1.00	

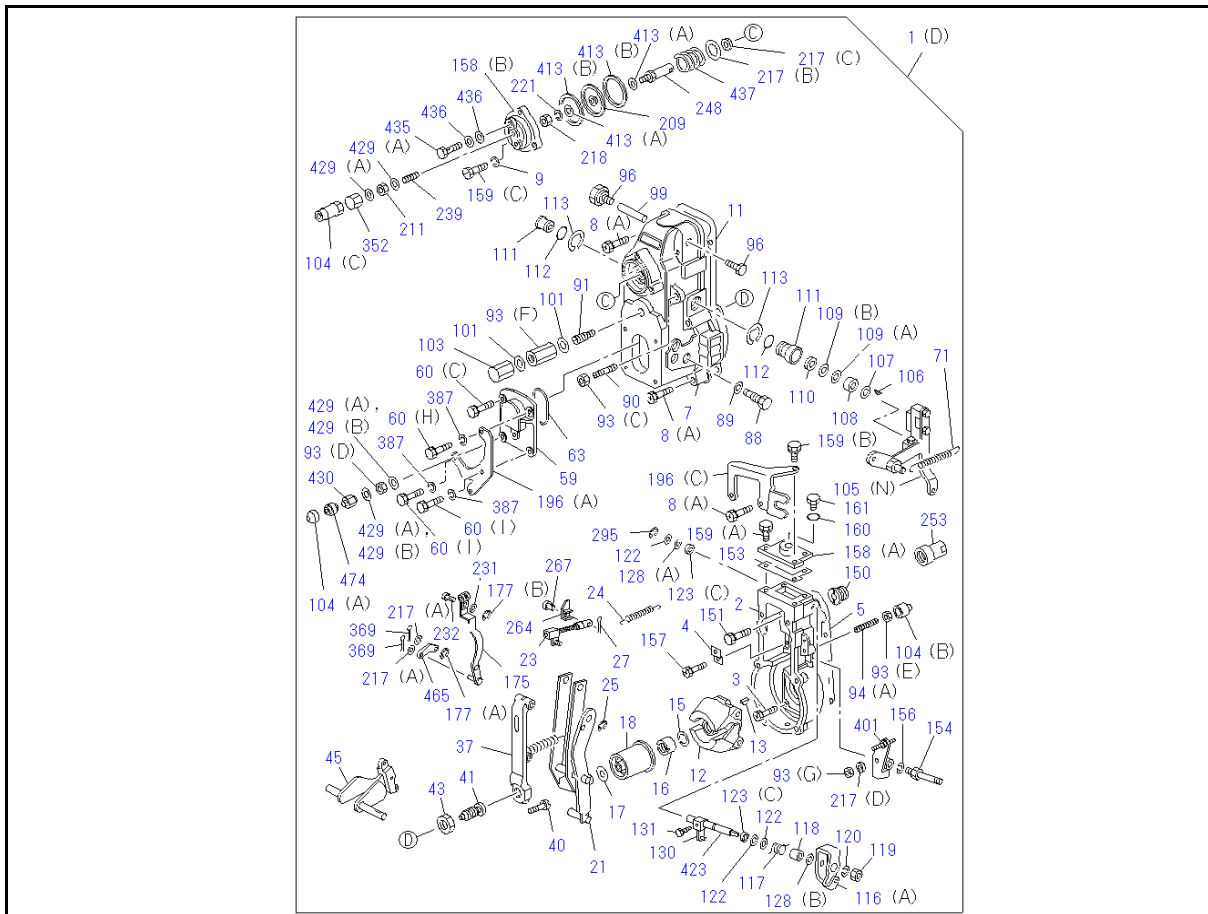
0-80 INJECTION PUMP

KEY No.	Part no.	qty	Part description	Engine serial no.
167	1-15639-003-0	1	BOLT; CONT RACK,INJ PUMP	
176	5-15625-001-0	2	PLATE; LK,DELIVERY VLV HOLDER	
177	9-81225-057-0	4	PINION; CONT SLEEVE,INJ PUMP	
178	9-81235-003-0	4	SCREW; PINION,INJ PUMP	
181	5-15619-025-0	1	SHIM; TAPPET,INJ PUMP T=0.20	
181	5-15619-026-0	1	SHIM; TAPPET,INJ PUMP T=0.25	
181	5-15619-034-0	1	SHIM; TAPPET,INJ PUMP T=0.30	
181	5-15619-027-0	1	SHIM; TAPPET,INJ PUMP T=0.35	
181	5-15619-035-0	1	SHIM; TAPPET,INJ PUMP T=0.40	
181	5-15619-037-0	1	SHIM; TAPPET,INJ PUMP T=0.45	
181	5-15619-036-0	1	SHIM; TAPPET,INJ PUMP T=0.50	
181	5-15619-011-0	1	SHIM; TAPPET,INJ PUMP T=0.55	
181	5-15619-001-0	1	SHIM; TAPPET,INJ PUMP T=0.60	
181	5-15619-012-0	1	SHIM; TAPPET,INJ PUMP T=0.65	
181	5-15619-002-0	1	SHIM; TAPPET,INJ PUMP T=0.70	
181	5-15619-013-0	1	SHIM; TAPPET,INJ PUMP T=0.75	
181	5-15619-039-0 <5-15619-003-0>	1	SHIM; TAPPET,INJ PUMP T=0.80	
181	5-15619-015-0	1	SHIM; TAPPET,INJ PUMP T=0.85	
181	5-15619-004-0	1	SHIM; TAPPET,INJ PUMP T=0.90	
181	9-81235-042-0	1	SHIM; TAPPET,INJ PUMP T=0.95	
181	5-15619-005-0	1	SHIM; TAPPET,INJ PUMP T=1.00	
181	9-81235-043-0	1	SHIM; TAPPET,INJ PUMP T=1.05	
181	5-15619-007-0	1	SHIM; TAPPET,INJ PUMP T=1.10	
181	9-81235-044-0	1	SHIM; TAPPET,INJ PUMP T=1.15	
181	5-15619-008-0	1	SHIM; TAPPET,INJ PUMP T=1.20	
181	9-81235-045-0	1	SHIM; TAPPET,INJ PUMP T=1.25	
181	5-15619-009-0	1	SHIM; TAPPET,INJ PUMP T=1.30	
181	5-15619-108-0	1	SHIM; TAPPET,INJ PUMP T=1.35	
181	5-15619-010-0	1	SHIM; TAPPET,INJ PUMP T=1.40	
181	5-15619-109-0	1	SHIM; TAPPET,INJ PUMP T=1.45	
181	5-15619-106-0	1	SHIM; TAPPET,INJ PUMP T=1.50	

0-80 INJECTION PUMP

KEY No.	Part no.	qty	Part description	Engine serial no.
181	5-15619-110-0	1	SHIM; TAPPET,INJ PUMP T=1.55	
181	5-15619-107-0	1	SHIM; TAPPET,INJ PUMP T=1.60	

0-81 GOVERNOR; INJECTION PUMP



KEY No.	Part no.	qty	Part description	Engine serial no.
1 (D)	8-97378-085-0	1	GOVERNOR ASM; INJ PUMP	
2	8-97251-913-0	1	HOUSING; GOV,INJ PUMP	
3	5-15729-027-0	5	BOLT; GOV HSG,INJ PUMP M6X15	
4	9-81325-391-0	1	PLATE; START SPRING,GOV	
5	1-15779-106-0	1	GASKET; GOV TO INJ PUMP HSG	
7	8-97387-821-0	1	COVER; GOV HSG,INJ PUMP	
8 (A)	5-15729-054-0	6	BOLT; GOV COVER,INJ PUMP	
9	1-09985-179-0 <9-09150-506-0>	3	WASHER; LK,GOV COVER ID=6.2	
11	1-15779-094-0	1	GASKET; COVER TO HSG,GOV	
12	1-15722-021-0	1	FLYWEIGHT ASM; GOV	
13	8-94221-411-0 <5-19619-049-0>	1	KEY; FLYWEIGHT,GOV	
15	5-15729-034-0	1	WASHER; LK,FLYWEIGHT FIX,GOV	
16	9-81325-086-0	1	NUT; FLYWEIGHT FIX,GOV	
17	9-81325-088-0	1	SHIM; FLYWEIGHT SLEEVE,GOV T=0.20	
17	9-81325-551-0	1	SHIM; FLYWEIGHT SLEEVE,GOV T=0.30	
17	9-81325-552-0	1	SHIM; FLYWEIGHT SLEEVE,GOV T=0.40	
17	5-15729-286-0	1	SHIM; FLYWEIGHT SLEEVE,GOV T=0.50	
17	9-81325-553-0	1	SHIM; FLYWEIGHT SLEEVE,GOV T=1.00	
17	5-15729-287-0	1	SHIM; FLYWEIGHT SLEEVE,GOV T=1.50	
17	1-15729-891-0	1	SHIM; FLYWEIGHT SLEEVE,GOV T=2.00	

0-81 GOVERNOR; INJECTION PUMP

KEY No.	Part no.	qty	Part description	Engine serial no.
17	1-15729-892-0	1	SHIM; FLYWEIGHT SLEEVE,GOV T=3.00	
17	1-15729-893-0	1	SHIM; FLYWEIGHT SLEEVE,GOV T=4.00	
18	5-15729-372-0	1	SLEEVE; GOV	
21	1-15725-766-0	1	LEVER ASM; GUIDE,GOV	
23	8-97332-035-0	1	LINK; LEVER TO CONT RACK,GOV	
24	5-15723-061-0	1	SPRING; START,GOV,INJ PUMP	
25	0-91805-504-0 <9-09185-404-0>	1	RING; SNAP	
27	1-15729-316-0	1	PIN; SNAP,CONN PIN,CONT RACK	
37	8-97387-829-0	1	LEVER ASM; TENSION,GOV	
40	1-15779-482-0	1	SCREW; LEVER ADJ,GOV	
41	1-15723-186-0	1	SPRING CAPSULE; IDLE CONT,GOV	
43	9-00813-023-0	1	NUT; IDLING CONT SPRING,GOV	
45	1-15725-668-0	1	LEVER ASM; GOV,INJ PUMP	
59	1-15721-237-0	1	COVER; GOV COVER	
60 (C)	0-50540-616-0 <9-01900-616-0>	1	BOLT; COVER FIX,GOV COVER M6X16 W/LK WASHER	
60 (H)	5-15729-167-0	1	BOLT; COVER FIX,GOV COVER	UP TO 931011
60 (H)	8-97322-335-0	1	BOLT; COVER FIX,GOV COVER	931012 - UP
60 (I)	1-15619-282-0	2	BOLT; COVER FIX,GOV COVER	UP TO 931011
60 (I)	0-28050-625-0 <9-01900-625-0>	2	BOLT; COVER FIX,GOV COVER M6X25 W/LK WASHER	931012 - UP
63	1-15779-574-0	1	GASKET; COVER TO GOV COVER	
71	5-15723-088-0	1	SPRING; CONT LEVER,GOV	
88	9-81325-215-0	1	BOLT; LEVER PIVOT,GOV	
89	9-81215-147-0	1	GASKET; LEVER PIVOT BOLT,GOV	
90	5-15729-123-0	1	SCREW; FULL LOAD ADJ,GOV	
91	1-15723-224-0	1	SPRING CAPSULE; ADJ,GOV	
93 (C)	1-15779-508-0	1	NUT; ADJ SCREW LK,INJ PUMP GOV	
93 (D)	1-15729-956-0	1	NUT; ADJ SCREW LK,INJ PUMP GOV	
93 (E)	9-88410-027-0	1	NUT; ADJ SCREW LK,INJ PUMP GOV	
93 (F)	1-15729-727-0	1	NUT; ADJ SCREW LK,INJ PUMP GOV	
93 (G)	1-15729-061-0	1	NUT; ADJ SCREW LK,INJ PUMP GOV	
94 (A)	1-15779-502-0	1	SCREW; ADJ,CONT LEVER,GOV	
96	5-15729-053-0	1	PLUG; LEVER SHAFT,GOV	
99	1-15729-730-0	1	PIN; TENSION LEVER,GOV	
101	8-94144-588-0	2	GASKET; ADJ SPRING CAPSULE,GOV	
103	1-15729-092-0	1	NUT; CAP,ADJ SPRING CAPSULE,GOV	
104 (A)	1-15779-565-0	1	CAP; LOCK NUT,ADJ SCREW	
104 (B)	8-97179-670-0	1	CAP; LOCK NUT,ADJ SCREW	
104 (C)	1-15779-566-0	1	CAP; LOCK NUT,ADJ SCREW	
105 (N)	1-15725-945-0	1	LEVER; SPD CONT,GOV	
106	9-81325-030-0	1	KEY; SWIVEL LEVER,GOV	
107	9-81325-488-0	1	WASHER; SWIVEL LEVER,GOV	
108	1-15729-301-0	1	COLLAR; SWIVEL LEVER,GOV	
109 (A)	1-15729-099-0	1	SHIM; SWIVEL LEVER,GOV	
109 (B)	9-81325-173-0	1	SHIM; SWIVEL LEVER,GOV	
110	1-15779-576-0	1	SEAL; OIL,SWIVEL LEVER,GOV	
111	8-97233-085-0	1	BUSHING; SWIVEL LEVER,GOV (R)	
111	8-97233-086-0	1	BUSHING; SWIVEL LEVER,GOV (L)	
112	1-15779-573-0	2	GASKET; SWIVEL LEVER,GOV	
113	9-09185-415-0	2	RING; SNAP,SWIVEL LEVER,GOV	
116 (A)	1-15725-882-0	1	LEVER; ENG STOP,GOV	
117	1-15723-260-0	1	SPRING; STOP LEVER,GOV	
118	1-15729-464-0	1	COLLAR; CONT SHAFT,GOV	
119	1-15729-236-0	1	NUT; ENG STOP LEVER,GOV	

0-81 GOVERNOR; INJECTION PUMP

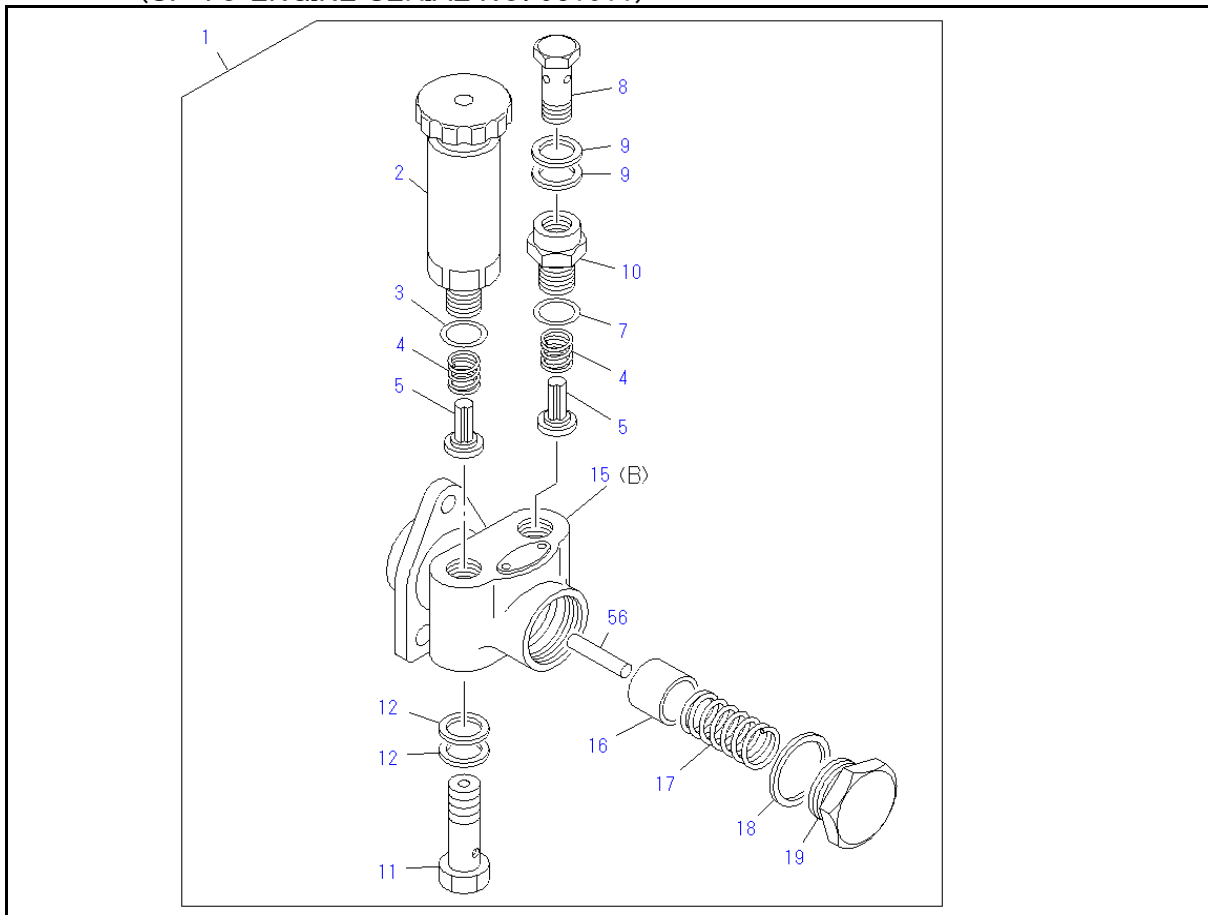
KEY No.	Part no.	qty	Part description	Engine serial no.
120	1-09985-177-0 <1-83579-492-0>	1	WASHER; LK,SPD ADJ LEVER,GOV	
122	1-15779-230-0	1	WASHER; CONT SHAFT,GOV T=0.5	
122	1-15779-231-0	1	WASHER; CONT SHAFT,GOV T=0.2	
123 (C)	1-09625-310-0	2	SEAL; OIL,CONT SHAFT,GOV	
128 (A)	1-15779-459-0	1	SHIM; CONT SHAFT,GOV	
128 (A)	1-15779-460-0	1	SHIM; CONT SHAFT,GOV	
128 (B)	1-15779-578-0	2	SHIM; CONT SHAFT,GOV	
130	1-15725-411-0	1	LEVER; CONT,GOV	
131	1-15779-497-0	1	SCREW; LEVER TO SHAFT,GOV	
150	9-81315-065-0	1	ADAPTER; GOV HSG,INJ PUMP	
151	0-50540-818-0 <9-01900-818-0>	1	BOLT; ADAPTER,GOV HSG,INJ PUMP M8X18 W/LK WASHER	
153	1-15779-219-0	1	GASKET; GOV HSG,INJ PUMP	
154	8-97251-918-0	1	BOLT; GOV HSG	
156	0-91510-508-0 <9-09150-508-0>	1	WASHER; GOV HSG	UP TO 931011
156	1-09985-177-0 <1-83579-492-0>	1	WASHER; GOV HSG	931012 - UP
157	5-15729-071-0	1	BOLT; START SPRING PLATE,GOV M6X16	
158 (A)	8-97251-914-0	1	COVER; GOV HSG	
158 (B)	8-97160-589-0	1	COVER; GOV HSG	
159 (A)	0-50540-616-0 <9-01900-616-0>	3	BOLT; COVER M6X16 W/LK WASHER	
159 (B)	1-15619-282-0	1	BOLT; COVER	
159 (C)	1-15779-505-0	3	BOLT; COVER	
160	1-15729-015-0	1	GASKET; PLUG TO HSG	
161	1-15729-038-0	1	PLUG; HSG	
175	9-81321-725-0	1	LEVER; GOV,INJ PUMP	
177 (A)	0-91805-504-0 <9-09185-404-0>	1	RING; SNAP,GOV LEVER,INJ PUMP	
177 (B)	1-09588-170-0	1	RING; SNAP,GOV LEVER,INJ PUMP	
196 (A)	8-97322-336-0	1	BRACKET; COVER	931012 - UP
196 (C)	1-15779-464-0	1	BRACKET; COVER	
196 (C)	8-94167-798-0	1	BRACKET; COVER	UP TO 931011
209	1-15713-008-0	1	DIAPHRAGM; GOV	
211	9-88410-525-0	1	NUT; LOCK,GOV	
217 (A)	9-81325-181-0	3	SHIM; GOV	
217 (B)	9-81325-221-0	1	SHIM; GOV T=0.2	
217 (B)	9-81325-199-0	1	SHIM; GOV T=0.5	
217 (C)	1-15729-736-0	4	SHIM; GOV T=1.7	
217 (D)	1-15729-338-0	1	SHIM; GOV	
218	9-88410-525-0	1	NUT; DIAPH	
221	1-15723-261-0	1	WASHER; LK,DIAPH	
231	9-81391-305-0	1	WASHER; GOV LEVER	
232	1-15729-732-0	1	PIN; RET,LEVER	
239	1-15729-733-0	1	SCREW; GOV	
248	1-15729-731-0	1	PUSH ROD	
253	1-15729-636-0	1	LIMITTER; GOV CONT	
264	1-15779-222-0	1	CONNECTOR; CONT RACK,GOV	
267	1-15729-729-0	1	BOLT; CONN,CONT RACK,GOV	
295	1-15779-196-0	1	RING; SNAP	
352	1-15729-093-0	1	NUT; CAP	

0-81 GOVERNOR; INJECTION PUMP

KEY No.	Part no.	qty	Part description	Engine serial no.
369	9-81315-191-0	2	PIN; SPLIT,SHAFT	
387	1-09985-179-0 <9-09150-506-0>	1	WASHER; COVER ID=6.2	931012 - UP
401	1-15729-734-0	1	BRACKET; HOUSING	
413 (A)	5-15759-045-0	2	GASKET; GOV COVER	
413 (B)	1-15779-129-0	2	GASKET; GOV COVER	
423	8-97251-916-0	1	SHAFT; CONT,GOV HSG,INJ PUMP	
429 (A)	5-15729-099-0	2	GASKET; CAP NUT	
429 (B)	8-94227-602-0	2	GASKET; CAP NUT	
430	1-15779-507-0	1	CAP NUT; ADJ LEVER	
435	1-15729-325-0	1	BOLT; EYE,GOV COVER	
436	8-97372-107-0 <1-15639-009-0>	2	GASKET; EYE BOLT	
437	8-98071-166-0	1	SPRING; DIAPHRAGM	
465	9-81321-726-0	1	LINK; GOVERNOR	
474	1-15779-582-0	1	ADAPTER; GOVERNOR,INJ PUMP	

0-84-1 FEED PUMP; INJECTION PUMP

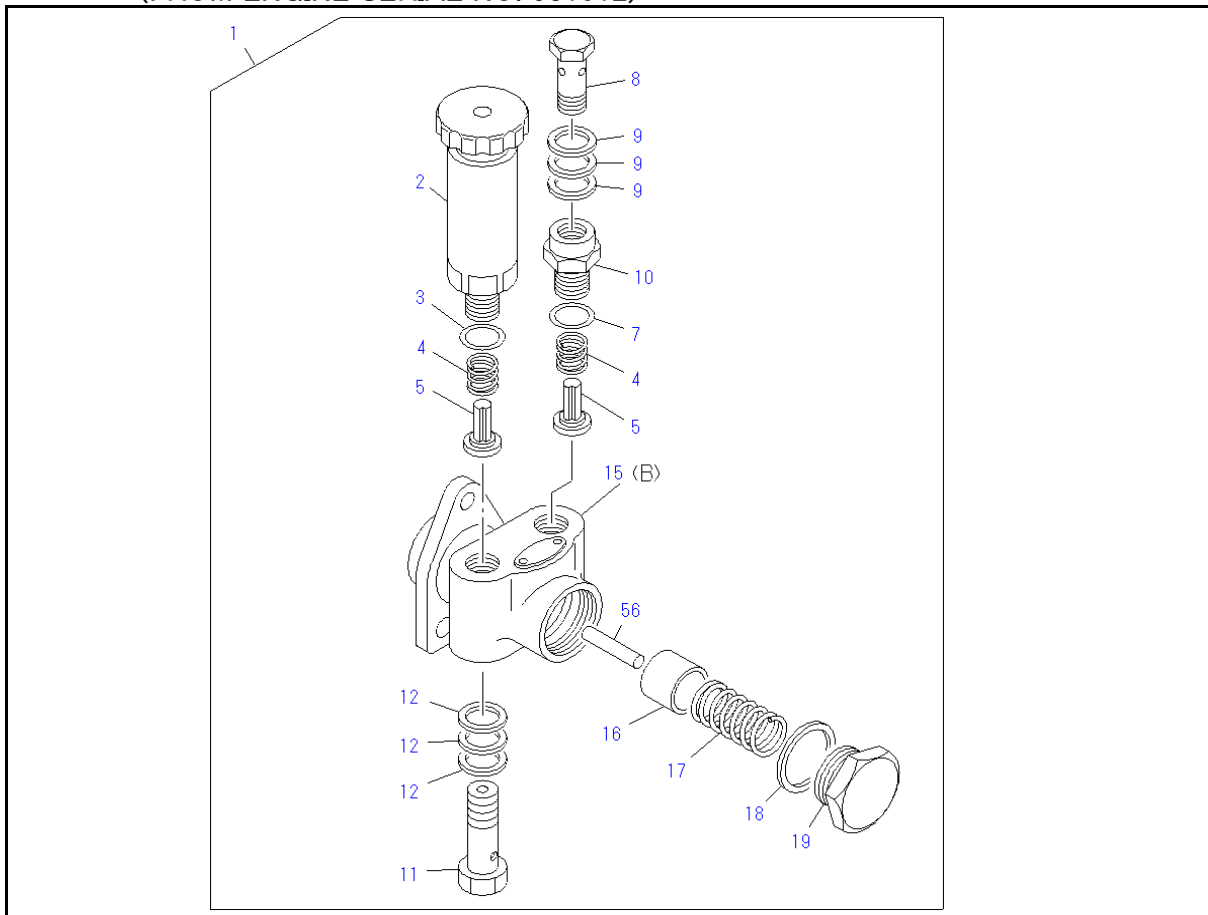
(UP TO ENGINE SERIAL NO. 931011)



KEY No.	Part no.	qty	Part description	Engine serial no.
1	8-97357-264-0	1	PUMP ASM; FUEL FEED,INJ PUMP	UP TO 931011
2	1-15761-006-1	1	PUMP; PRIMING,FUEL FEED PUMP	
3	1-15623-016-0 <1-19623-016-0>	1	GASKET; PRIMING PUMP,FUEL FEED PUMP	
4	9-81351-702-0	2	SPRING; VLV,FUEL FEED PUMP	
5	1-15755-002-0	2	VALVE; FUEL FEED PUMP	
7	1-15623-016-0 <1-19623-016-0>	1	GASKET; PLUG,FUEL FEED PUMP	
8	1-15619-082-0	1	BOLT; EYE,FUEL OUTLET,FEED PUMP	UP TO 931011
9	9-09572-014-0 <1-15759-001-0>	2	GASKET; EYE BOLT,OUTLET,FUEL FEED PUMP	UP TO 931011
10	1-15759-003-0	1	ADAPTER; EYE BOLT,FUEL FEED PUMP	
11	5-15759-027-0	1	BOLT; EYE,FUEL INL,FEED PUMP M14X29	UP TO 931011
12	9-09572-014-0 <1-15759-001-0>	2	GASKET; EYE BOLT,INL,FUEL FEED PUMP	UP TO 931011
15 (B)	8-97138-647-0	1	HOUSING; FUEL FEED PUMP	
16	1-15752-001-0	1	PISTON; FUEL FEED PUMP	
17	8-97214-466-0	1	SPRING; PISTON,FUEL FEED PUMP	
18	1-15759-042-0	1	GASKET; PISTON PLUG,FUEL FEED	
19	8-94171-185-0	1	PLUG; PISTON SPRING,FUEL FEED	
56	8-97115-990-0	1	PUSH ROD	

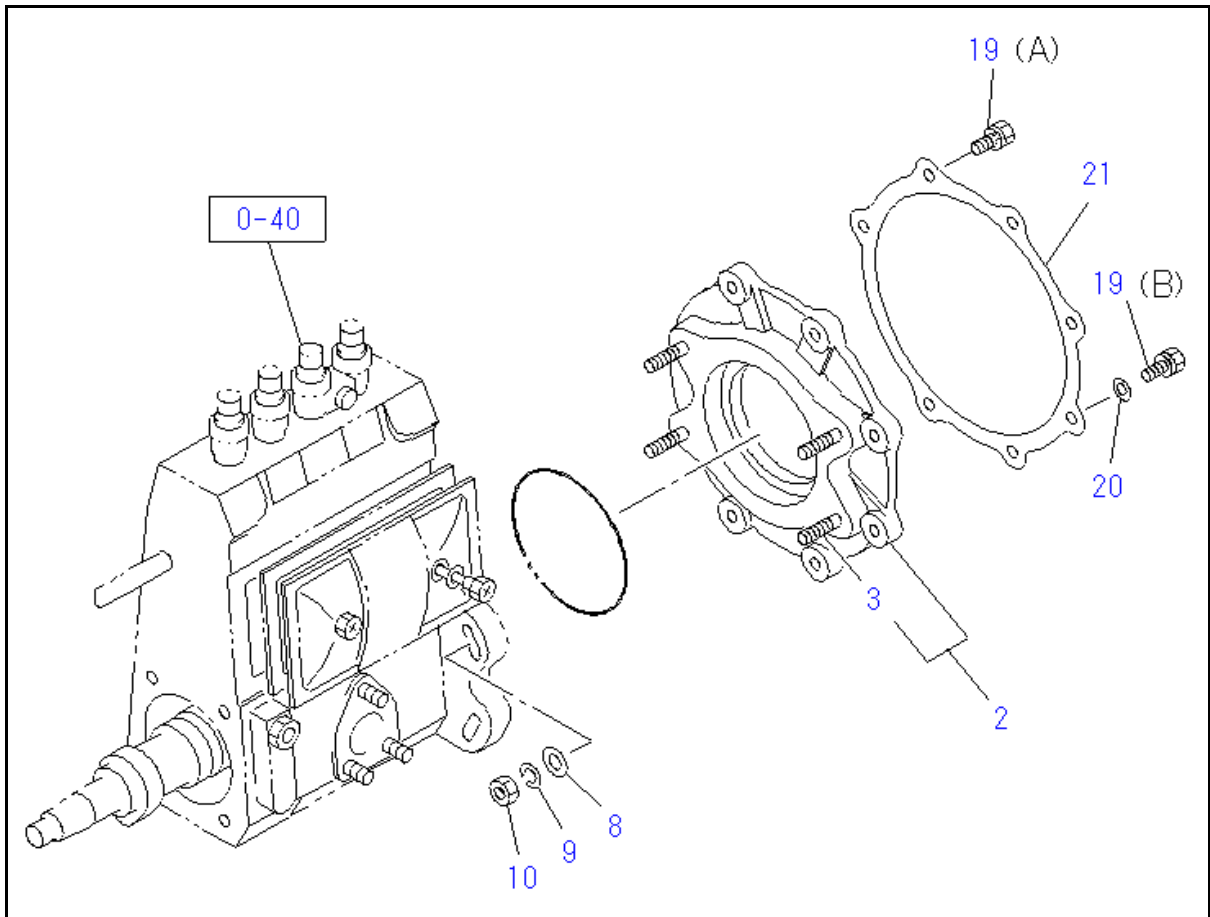
0-84-2 FEED PUMP; INJECTION PUMP

(FROM ENGINE SERIAL NO. 931012)



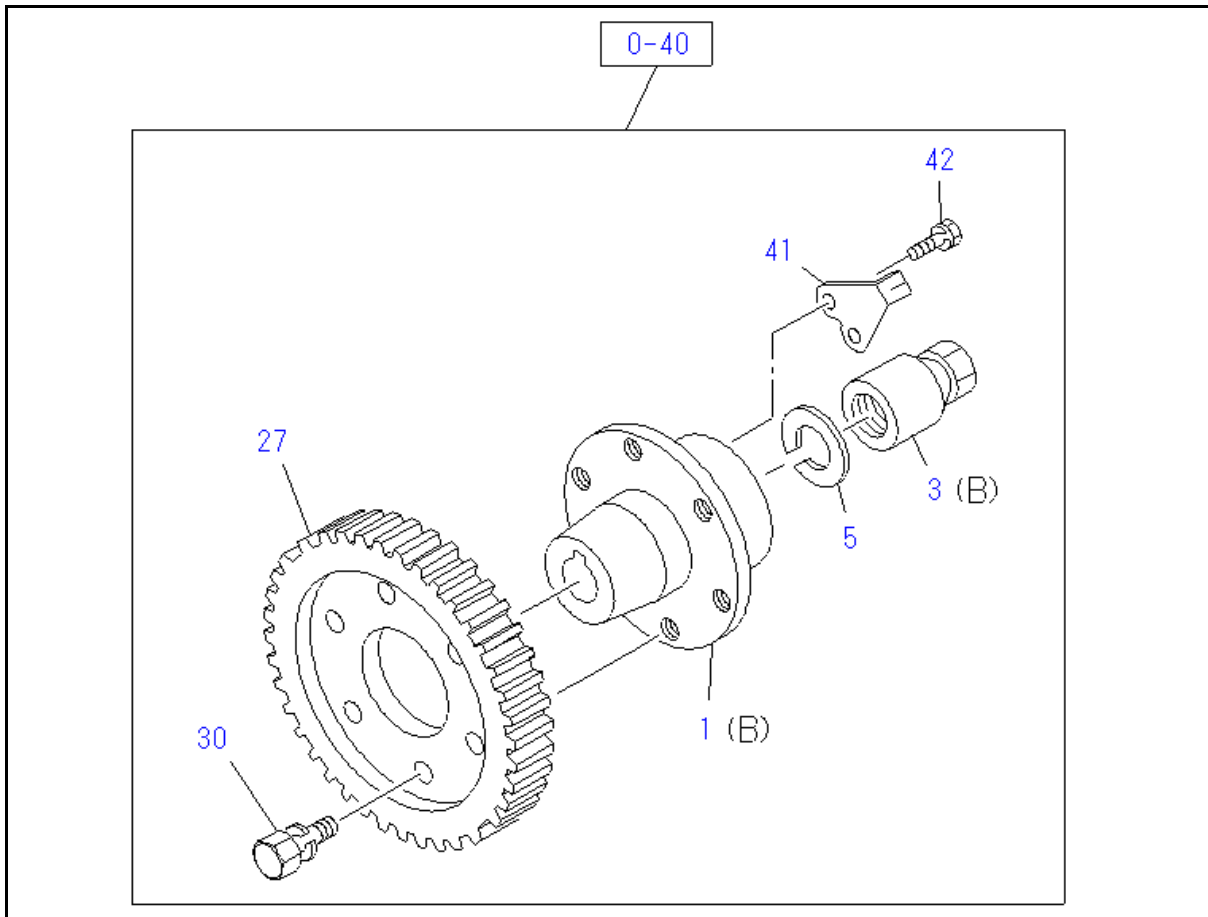
KEY No.	Part no.	qty	Part description	Engine serial no.
1	1-15750-203-0	1	PUMP ASM; FUEL FEED,INJ PUMP	931012 - UP
2	1-15761-006-1	1	PUMP; PRIMING,FUEL FEED PUMP	
3	1-15623-016-0 <1-19623-016-0>	1	GASKET; PRIMING PUMP,FUEL FEED PUMP	
4	9-81351-702-0	2	SPRING; VLV,FUEL FEED PUMP	
5	1-15755-002-0	2	VALVE; FUEL FEED PUMP	
7	1-15623-016-0 <1-19623-016-0>	1	GASKET; PLUG,FUEL FEED PUMP	
8	8-97063-155-0	1	BOLT; EYE,FUEL OUTLET,FEED PUMP	931012 - UP
9	9-09572-014-0 <1-15759-001-0>	3	GASKET; EYE BOLT,OUTLET,FUEL FEED PUMP	931012 - UP
10	1-15759-003-0	1	ADAPTER; EYE BOLT,FUEL FEED PUMP	
11	8-97063-155-0	1	BOLT; EYE,FUEL INL,FEED PUMP	931012 - UP
12	9-09572-014-0 <1-15759-001-0>	3	GASKET; EYE BOLT,INL,FUEL FEED PUMP	931012 - UP
15 (B)	8-97138-647-0	1	HOUSING; FUEL FEED PUMP	
16	1-15752-001-0	1	PISTON; FUEL FEED PUMP	
17	8-97214-466-0	1	SPRING; PISTON,FUEL FEED PUMP	
18	1-15759-042-0	1	GASKET; PISTON PLUG,FUEL FEED	
19	8-94171-185-0	1	PLUG; PISTON SPRING,FUEL FEED	
56	8-97115-990-0	1	PUSH ROD	

0-86 MISCELLANEOUS PARTS; INJECTION PUMP



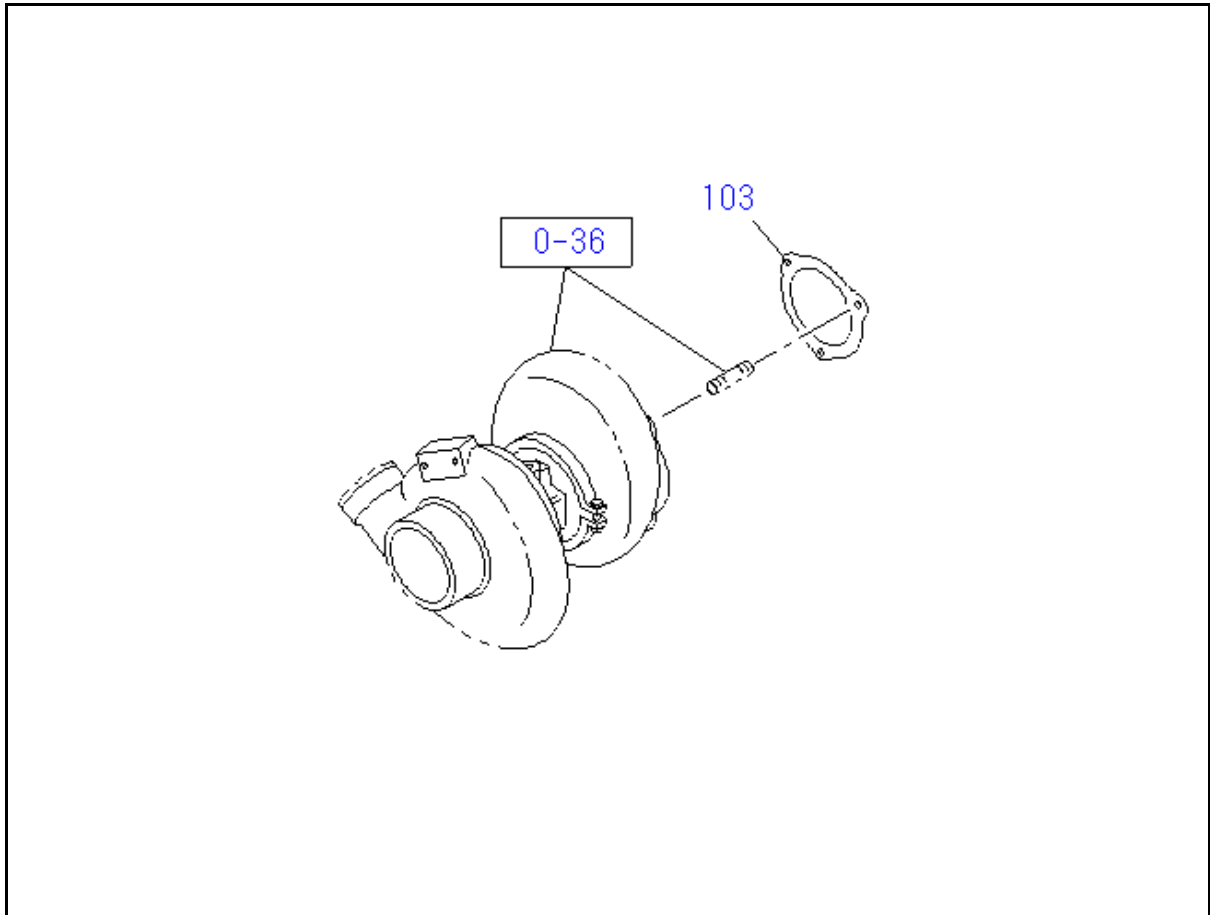
KEY No.	Part no.	qty	Part description	Engine serial no.
2	8-97251-909-0	1	BRACKET; HSG & TIMER,INJ PUMP	
3	0-44011-030-0 <9-04101-030-0>	4	STUD; HSG BRKT,INJ PUMP M10X30 L=45	
8	9-09164-510-0	4	WASHER; PL,HSG BRKT,INJ PUMP	
9	1-09985-185-0 <9-09150-610-0>	4	WASHER; LK,HSG BRKT,INJ PUMP ID=10.2	
10	5-15639-002-0	4	NUT; HSG BRKT,INJ PUMP	
19 (A)	1-09044-071-1	6	BOLT; INJ PUMP M8X55 FLANGE	
19 (B)	5-09000-222-1	1	BOLT; INJ PUMP M8X22	
20	9-09572-008-0	1	GASKET; INJ PUMP	
21	8-94370-675-1	1	GASKET; INJ PUMP	

0-87 COUPLING; INJECTION PUMP



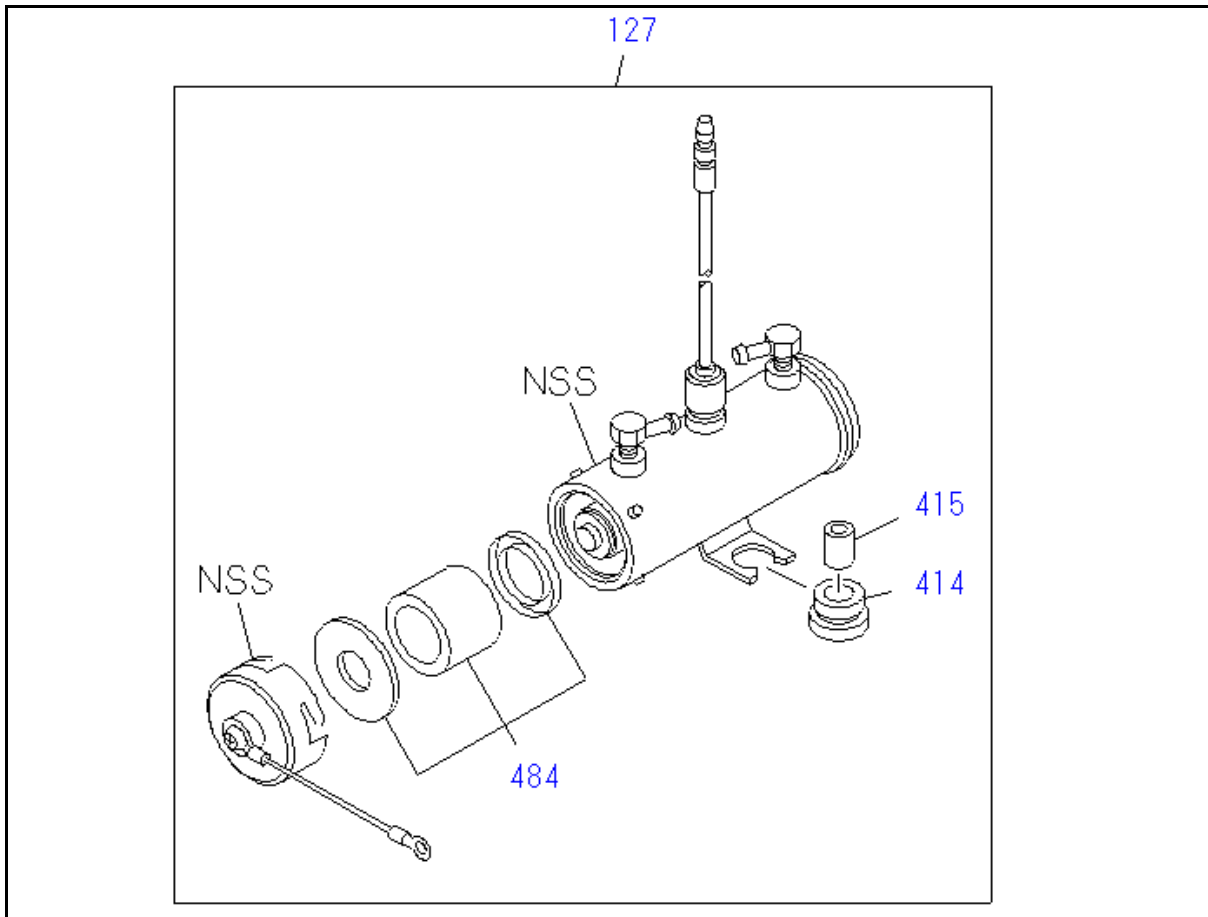
KEY No.	Part no.	qty	Part description	Engine serial no.
1 (B)	8-97117-776-0	1	COUPLING; INJ PUMP DRIVE	
3 (B)	1-15749-144-0	1	NUT; COUPLING FIX,INJ PUMP	
5	1-15749-145-0	1	WASHER; COUPLING FIX,INJ PUMP	
27	1-12524-048-0	1	GEAR; COUPLING	
30	8-94457-517-0	6	BOLT; GEAR TO COUPLING	
41	1-15789-216-0	1	POINTER; COUPLING	
42	0-50540-612-0 <9-01910-612-0>	2	BOLT; POINTER TO COUPLING M6X12 W/LK WASHER	

1-35 CHARGE AIR COOLER



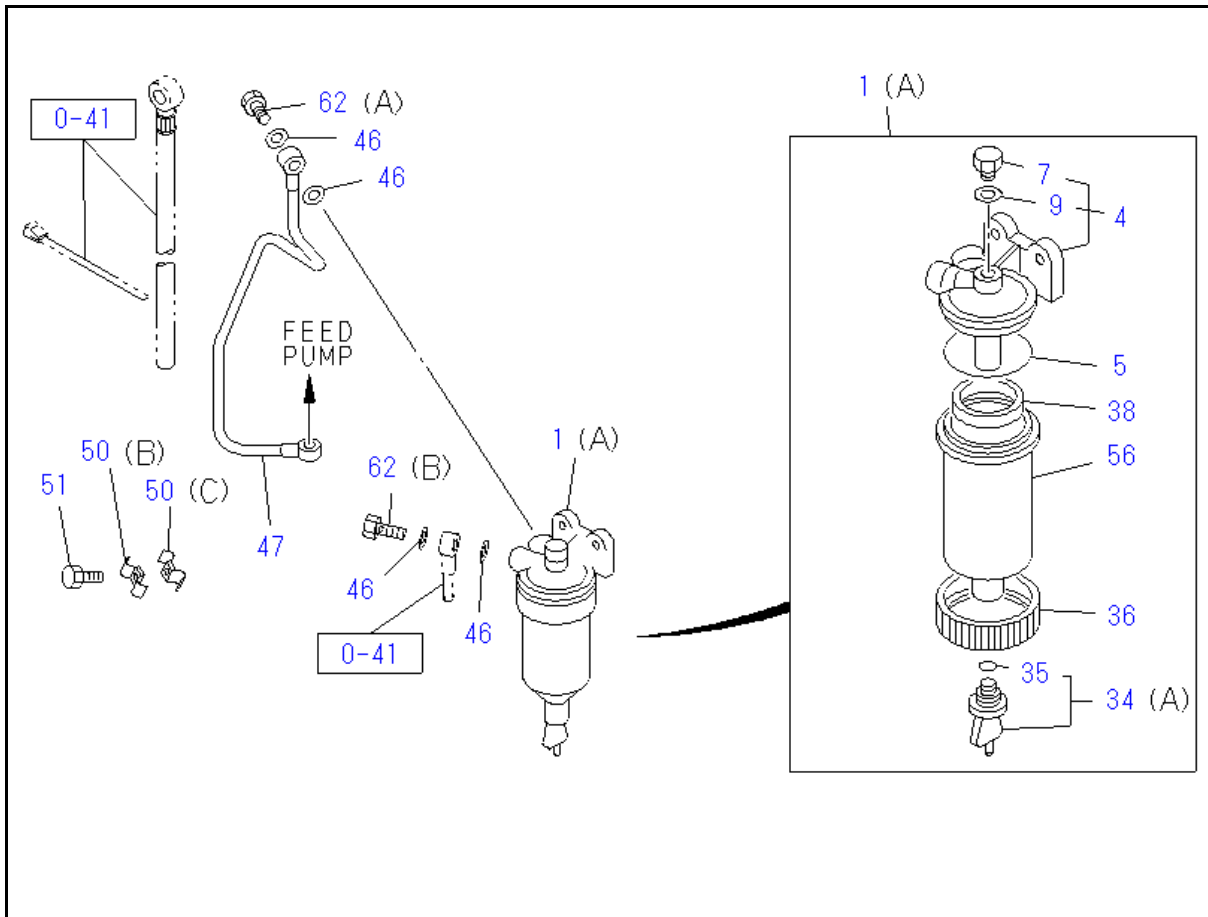
KEY No.	Part no.	qty	Part description	Engine serial no.
103	8-94369-021-0	1	GASKET; CHARGE AIR COOLER	

1-40 FUEL TANK



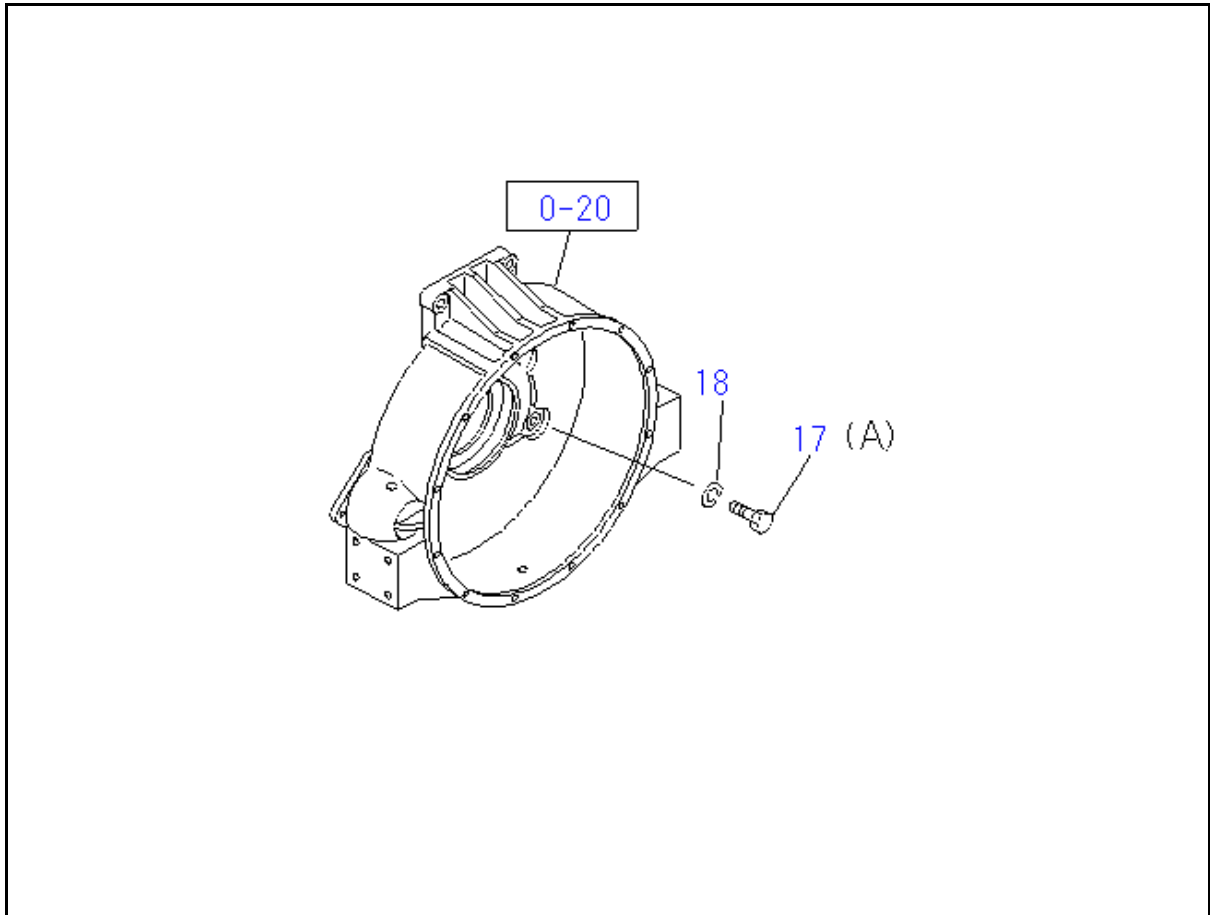
KEY No.	Part no.	qty	Part description	Engine serial no.
127	8-97240-675-0	1	PUMP ASM; FUEL,ELEC	
414	8-94233-655-0	2	GROMMET; PUMP MTG,ELEC FUEL	
415	8-97047-265-0	2	COLLAR; GROMMET,ELEC FUEL PUMP	
484	8-94437-022-0 <8-94337-022-0>	1	REPAIR KIT; FUEL PUMP	

1-45 WATER SEDIMENTER; FUEL



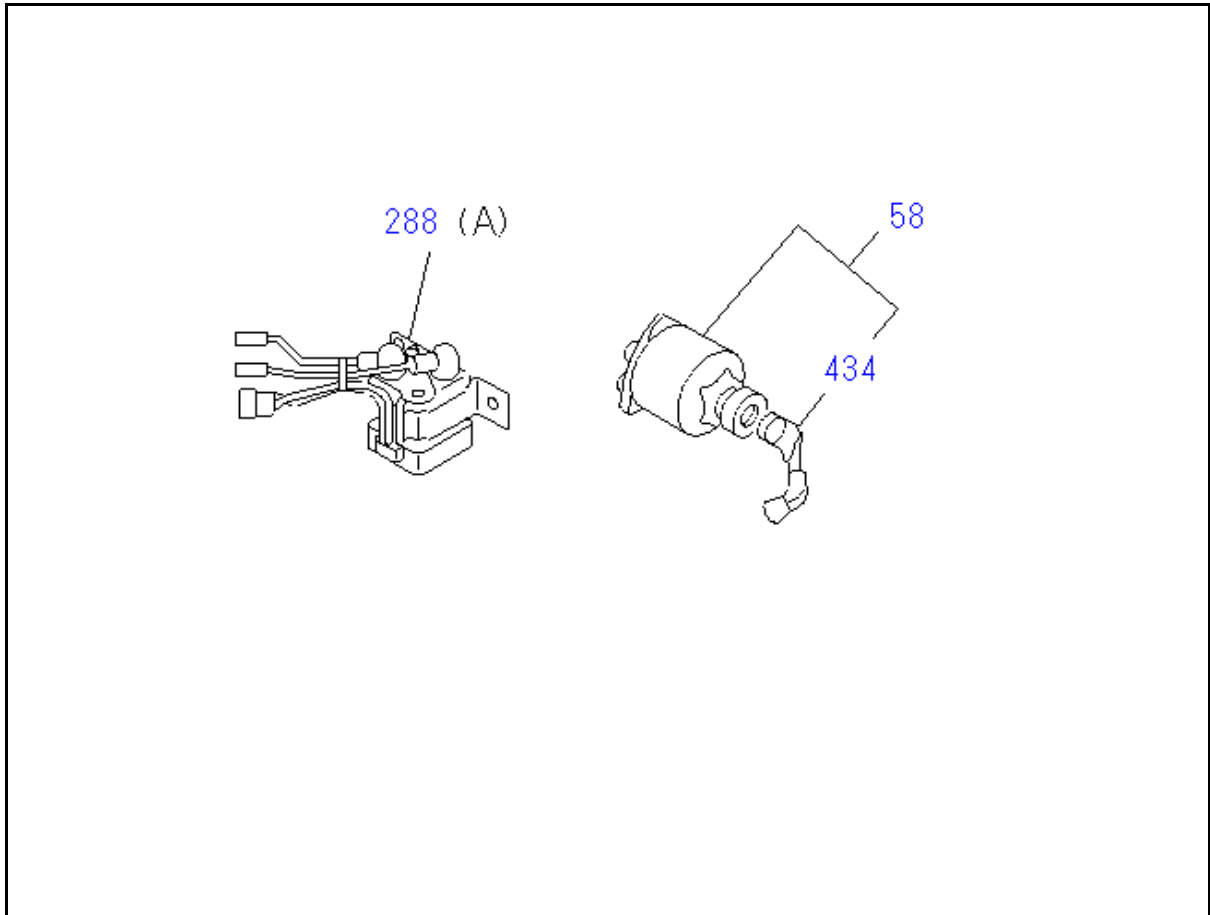
KEY No.	Part no.	qty	Part description	Engine serial no.
1 (A)	1-13200-841-0	1	SEDIMENTER; FUEL	
4	1-13212-140-1	1	COVER; UPR,SEDIMENTER ASM	
5	5-09623-070-0	1	GASKET; UPR COVER,SEDIMENTER	
7	5-13219-020-0	1	PLUG; DRAIN,SEDIMENTER	
9	5-09630-024-0	1	GASKET; DRAIN PLUG & CONNECTOR	
34 (A)	8-94453-746-0	1	PLUG; DRAIN,FUEL FILTER	
35	8-94167-886-0 <8-94416-377-0>	1	GASKET; DRAIN PLUG	
36	5-13219-022-1 <5-13619-022-1>	1	RING; BODY TO CASE	
38	5-13219-021-0	1	FLOAT; SEDIMENTER	
46	9-09572-014-0	4	GASKET; FUEL PIPE ID=14.2 OD=23.0	
47	8-97312-547-0	1	PIPE; FUEL,SEDIMENTER TO PUMP	
50 (B)	9-09716-114-0	3	CLIP; FUEL PIPE	
50 (C)	9-09716-124-0	3	CLIP; FUEL PIPE	
51	0-28650-620-0	3	BOLT; CLIP M6X20 FLANGE	
56	1-13211-211-0	1	CASE; FUEL SEDIMENTER	
62 (A)	9-09906-325-1	1	BOLT; EYE,FUEL FILTER M14X29 EYE BOLT	
62 (B)	5-15759-027-0	1	BOLT; EYE,FUEL FILTER M14X29 EYE BOLT	

2-01 CLUTCH



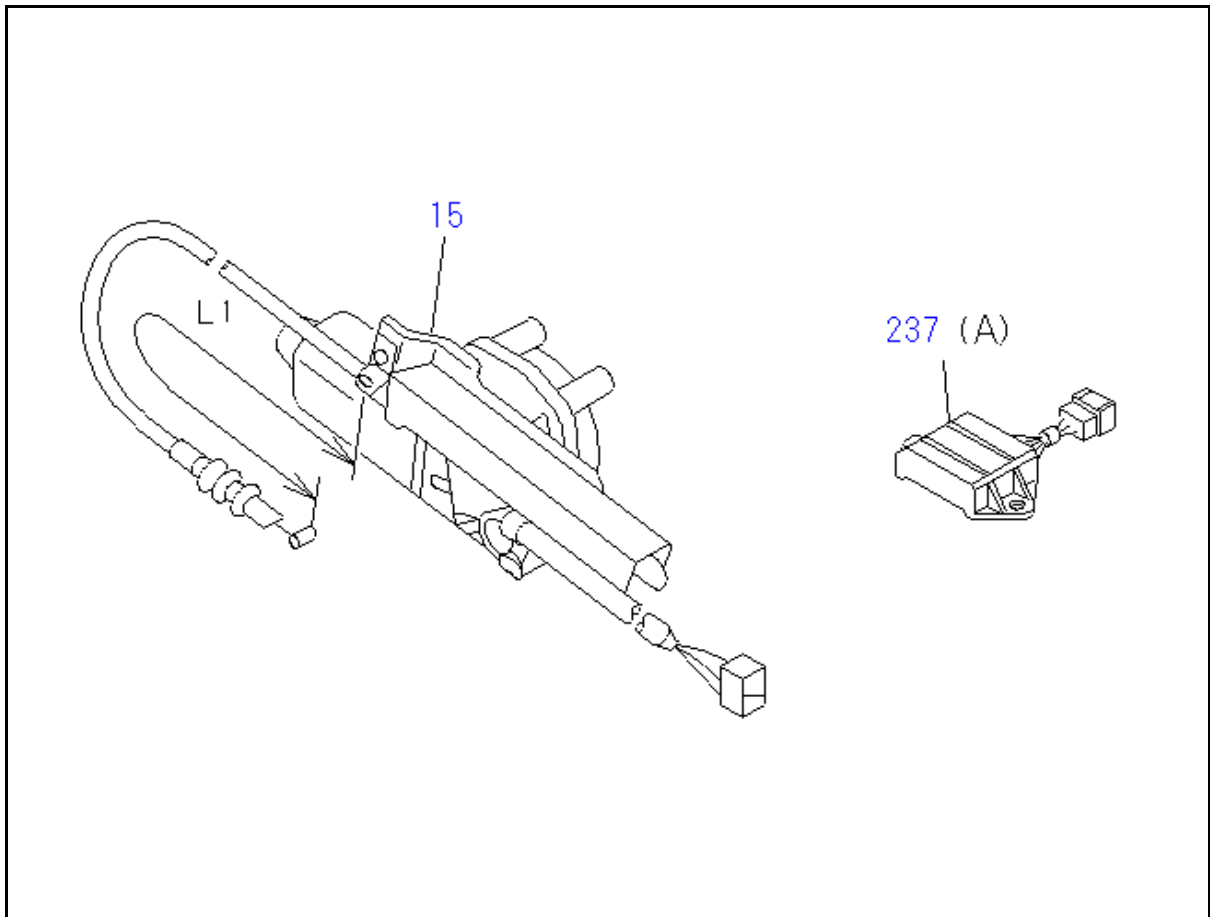
KEY No.	Part no.	qty	Part description	Engine serial no.
17 (A)	0-10956-450-0	6	BOLT; COVER TO HSG M14X50	
18	0-91510-514-0	6	WASHER; LK,COVER TO HSG ID=14.2	

8-25 SWITCH AND RELAY; INSTRUMENT PANEL



KEY No.	Part no.	qty	Part description	Engine serial no.
58	8-94402-500-0	1	SWITCH; IGNITION	
288 (A)	1-82553-040-1	1	RELAY; SAFETY NIKKO	
434	8-94402-498-0	1	KEY; STARTER SW	

8-26 ELECTRICAL CONTROL AND OTHER PARTS



KEY No.	Part no.	qty	Part description	Engine serial no.
15	1-81900-190-2	1	ACTUATOR; ENG STOP L1=1020,24V	
237 (A)	8-97111-962-1	1	TIMER ASM	